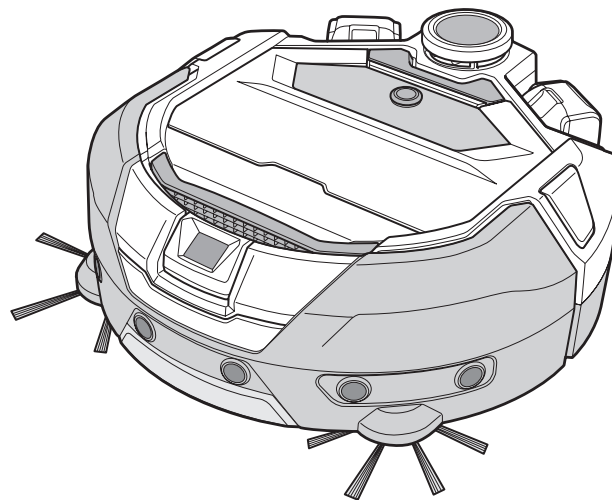




EN	Robotic Cleaner	INSTRUCTION MANUAL
FRCA	Aspirateur Robot	MANUEL D'INSTRUCTION
ESMX	Robot Limpiador	MANUAL DE INSTRUCCIONES

DRC300





ENGLISH

Table of Contents

- **IMPORTANT SAFETY INSTRUCTIONS**----- 2
- **About the Robotic Cleaner**----- 2
 - Major features----- 2
 - Applicable battery cartridge and charger----- 2
 - Intended use----- 3
 - Symbols----- 3
 - Safety precautions----- 3
 - Safety precautions for use of the robotic cleaner----- 4
 - Precautions regarding radio waves----- 7
 - Respective trademarks and registered trademarks----- 7
 - Names of parts----- 8
 - Standard accessories----- 9
- **Prepare Before Cleaning**----- 10
 - About carrying the robotic cleaner----- 10
 - About cleaning by the robotic cleaner----- 10
 - To prevent the robotic cleaner from falling----- 10
 - Tidying up a place to clean----- 11
- **Preparation For Use**----- 13
 - Attaching the side brushes----- 13
 - Unpacking the dust box----- 13
 - Installing batteries in the remote control----- 13
 - Indicating the remaining battery capacity----- 14
 - Installing and removing batteries (sold separately)----- 14
 - Turning the power on/off----- 15
 - What to set up before cleaning----- 15
- **How To Use**----- 16
 - Cleaning----- 16
 - Cleaning a room with mapping----- 16
 - Deleting mapping information----- 17
 - Suspending or ending cleaning----- 18
 - Switching the vacuum fan on/off----- 18
 - Using the location beacon function----- 18
 - Using the ON timer/OFF timer----- 18
 - Controlling the cleaning range----- 20
 - How to attach, remove, and use separately sold items----- 21
 - How to dispose of garbage----- 21
- **Setting the Robotic Cleaner**----- 22
 - Setting the time of day----- 22
 - Setting up Wi-Fi® (robotic cleaner and smartphone)----- 22
 - Making a sound setting----- 22
 - Resetting the settings----- 23
- **Care**----- 24
 - Maintenance----- 24
 - About repair----- 27
- **Notification and Error Indication**----- 28
 - Canceling a notification and error indication----- 28
 - Notification of a need of care, etc.----- 28
 - Error notification----- 28
- **Troubleshooting**----- 29
- **Storage**----- 32
- **Optional Accessories**----- 32
- **Smartphone App (For the DRC300)**----- 33
 - Table of contents----- 33
 - What you can do with the app----- 33
 - How to install the app----- 33
 - Home screen----- 34
 - Cleaning with the app----- 34
 - Checking the history of cleaning----- 36
 - Adding, changing, or deleting mapping information----- 38
 - Changing and checking settings----- 42
 - Error message/dialogue----- 44
- **Appendix**----- 45
 - Notice Regarding Open Source Software----- 45
 - For United States----- 45
 - For Canada----- 45

IMPORTANT SAFETY INSTRUCTIONS

When using an electrical appliance, basic precautions should always be followed, including the following:

READ ALL INSTRUCTIONS BEFORE USING THIS APPLIANCE.

WARNING

To reduce the risk of fire, electric shock or injury:

1. Do not leave appliance when battery fitted. Remove battery from appliance when not in use and before servicing.
2. Do not use on wet surfaces. Do not expose to rain. Store indoors.
3. Do not allow to be used as a toy. Close attention is necessary when used by or near children.
4. Use only as described in this manual. Use only manufacturer's recommended attachments.
5. Do not use with damaged battery. If appliance is not working as it should, has been dropped, damaged, left outdoors, or dropped into water, return it to a service center.
6. Do not handle battery or appliance with wet hands.
7. Do not put any object into openings. Do not use with any opening blocked; keep free of dust, lint, hair, and anything that may reduce air flow.
8. Keep hair, loose clothing, fingers, and all parts of body away from openings and moving parts.
9. Turn off all controls before removing the battery cartridge.
10. Do not use to pick up flammable or combustible liquids, such as gasoline, or use in areas where they may be present.
11. Use only the charger supplied by the manufacturer to recharge.
12. Do not pick up anything that is burning or smoking, such as cigarettes, matches, or hot ashes.
13. Do not use without dust box and filters in place. Replace a damaged dust box and filter immediately.
14. This appliance can be used by children aged from 8 years and above and persons with reduced physical, sensory or mental capabilities or lack of experience and knowledge if they have been given supervision or instruction concerning use of the appliance in a safe way and understand the hazards involved. Children shall not play with the appliance. Cleaning and user maintenance shall not be made by children without supervision.
15. Place the cords from other appliances out of the area to be cleaned.
16. Do not operate the vacuum in a room where an infant or child is sleeping.
17. Do not operate the vacuum in an area where there are lit candles or fragile objects on the floor to be cleaned.
18. Do not operate the vacuum in a room that has lit candles on furniture that the vacuum may accidentally hit or bump into.
19. Do not allow children to sit on the vacuum.
20. Do not use the vacuum on a wet surface.

SAVE THESE INSTRUCTIONS.

This appliance is intended for commercial use.

About the Robotic Cleaner

Major features

Major feature		Model:DRC300
Voltage		D.C. 18 V
Continuous run time*1 *2		Approx. 240 minutes
Dust collection volume		3.0 L
Dimensions		500 mm (L) × 500 mm (W) × 204 mm (H) (19-3/4" (L) × 19-3/4" (W) × 8" (H))
Weight*2		10.6 kg (23.4 lb)
Wireless communication	Communication system	1. Robotic cleaner-to-remote control :Bluetooth 2. Robotic cleaner-to-smartphone: Wi-Fi® (SoftAP)
	Estimated communication distance	1. 20 m (65.62 ft) or less 2. 10 m (32.81 ft) or less
Wireless LAN	Frequency band	2.4 GHz
	Maximum radio-frequency power	17.48 dBm (EIRP)
	Wireless LAN standards	IEEE 802.11 b/g/n
	Encryption method	WPA/WPA2
	WPS version	Version 2.0
Bluetooth	Frequency band	2402.0 - 2480.0 MHz
	Maximum radio-frequency power	Remote controller: -4 dBm (EIRP)
	Transmission range	Approximately 10 m (32.81 ft)
	Bluetooth® version	4.2 (Bluetooth low energy)
Laser output	Wave length	775 - 800 nm
	Output	1 mW or less (IEC 60825-1:2014 Laser Class 1)

- Please note that the major features, shape, and other characteristics are subject to change for improvement.
- The LiDAR sensor of this product is a Class 1 laser product as defined by international standard IEC 60825-1:2014 on the safety of laser products.

*1. When used on smooth flooring such as vinyl floor tiles with the vacuum fan turned on. The run time varies depending on the conditions of the running location, the kind of the floor, the battery conditions, the room temperature, etc. In addition, the run time can be shorter in low-temperature environments because of the characteristics of a lithium-ion battery.

*2. When equipped with two BL1860B batteries.

Applicable battery cartridge and charger

Battery cartridge	BL1815N / BL1820B / BL1830B / BL1840B / BL1850B / BL1860B
Charger	DC18RC / DC18RD / DC18RE / DC18SD / DC18SE / DC18SF / DC18SH / DC18WC

- Some of the battery cartridges and chargers listed above may not be available depending on your region of residence.

⚠️ WARNING

Only use the battery cartridges and chargers listed above. Use of any other battery cartridges and chargers may cause injury and/or fire.

About cord connected power sources









Cord connected power sources cannot be used for this product. If used, they may cause injury or an accident.

Intended use

This product is a robot vacuum cleaner intended for cleaning indoor floors. Some operations and settings can be performed with the remote control and the dedicated app.


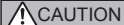

Symbols

The followings show the symbols which may be used for the equipment. Be sure that you understand their meaning before use.


	volts
	direct current
	Read the instruction manual.
	Take particular care and attention.
	A representative battery applicable to this product.
	Do not step or put objects on the robotic cleaner.
	Do not use the robotic cleaner near an open flame or flammable and/or dangerous materials.
	Clean the cliff sensors on the bottom face if they are dirty or wet.



Safety precautions


About the meaning of , , and  in precautions

Considerations for using this product are classified into , , and .

Their respective meanings are as follows.

 **WARNING** : A precaution to indicate a risk of death or serious injury of the user when the product is handled improperly.

 **CAUTION** : A precaution to indicate a risk of injury of the user or a risk of property damage when the product is handled improperly. Note that a matter described as  may possibly lead to serious consequences depending on the situation. Be sure to observe these precautions as all of them are important for safety.

 **NOTICE** : Important precautions for handling of the product and its accessories.

- Be sure to observe the "Safety precautions" in order to prevent an accident such as fire, electric shock, and injury before it happens.
- Before using the product, read all of this "Safety precautions" thoroughly to ensure proper use of the product.
- After reading it, be sure to place it in safekeeping for use at any time by those who use the product.
- When lending the product to another person, give it together with the user's manual.
- The following pictorial signs are used to classify and explain things to observe.

Examples of pictorial signs







This pictorial sign indicates a "prohibited" thing, that is, what you must not do.







This pictorial sign indicates a "mandatory" thing, that is, what you must always do.

These illustrations are for reference purposes. Note that their design varies depending on the product.



	
Do not wash the product in water. Do not use this product in a moist or wet place such as a bathroom. <ul style="list-style-type: none">• Entry of water into the motor can cause a short, heat generation, or ignition.• Some components can be washed in water. Refer to "Care" on page 24.	
Never disassemble, repair, or modify the product. <ul style="list-style-type: none">• Doing so can cause ignition or abnormal operation, resulting in injury.	
Do not let children play with this product or the charger. <ul style="list-style-type: none">• A moment's carelessness can result in serious injury.	
Do not use this product outdoors.	
Do not use this product in an unstable place such as stairs or a steep slope. <ul style="list-style-type: none">• This product may tip over or fall, causing injury.	
Do not use items other than Makita-specified accessories and separately sold items. <ul style="list-style-type: none">• Using an item other than the accessories and separately sold items given in this user's manual and our catalog may cause an accident or injury.	
Do not place this product near flames, heating devices, etc. <ul style="list-style-type: none">• Doing so may cause a short circuit or ignition due to deformation of the product.	
Do not use the product or charge the battery near flammable substances (gasoline, benzene, thinner, gas, etc.). <ul style="list-style-type: none">• Doing so can cause explosion or fire.	
Do not store this product in a place where the temperature can reach 50 °C (122 °F) (metallic box, the inside of a car in summer, etc.). <ul style="list-style-type: none">• Doing so can cause a short circuit or ignition due to deformation of this product.• The battery may deteriorate, causing smoking or ignition.	
Do not charge in the following conditions, as doing so may cause fire. <ul style="list-style-type: none">• On paper such as corrugated cardboard, cloth such as a cushion, a carpet, vinyl, etc.• A charger with air holes is used but the air holes are blocked during charging. Or, metals or combustible things are inserted into air holes.• In a dusty place, for example, with cotton dust.	
Do not charge in the rain, or remove or insert the power plug or battery with wet hands. Do not allow foreign matter such as pieces of metal or water near the terminal of the charger. <ul style="list-style-type: none">• Doing so may cause electric shock or injury.	
Do not use a charger other than the dedicated charger. <ul style="list-style-type: none">• Doing so can cause leakage, heating, or rupture of the battery.• Do not use the charger for purposes other than charging.	
Do not use the charger for purposes other than charging. Do not use the battery and charger for equipment other than specified by Makita.	
Do not abuse the cord of the charger. <ul style="list-style-type: none">• Do not carry the charger while holding the cord or do not yank the plug cord to disconnect from the power receptacle.• Keep the cord away from heat, oil, chemicals, and sharp corners.• Be careful with the place for charging to prevent the cord from being stepped on, being caught, or being damaged due to excessive force. Electric shock or a short circuit may result, causing ignition.	


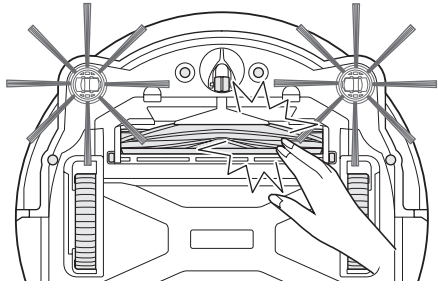
 WARNING	
<p>Do not use if the cord of the charger is damaged or if the power plug is not firmly inserted.</p> <ul style="list-style-type: none"> • Electric shock, a short circuit, or ignition may result. 	
<p>The battery mounting part of the charger has a charging terminal. Do not allow foreign matter such as pieces of metal or water near the charging terminal.</p>	
<p>Do not cover the battery and the charger with a cloth or something during charging.</p> <ul style="list-style-type: none"> • Charge the battery in a well-ventilated place. Otherwise, heating, rupture, or ignition may result. 	


 WARNING	
<p>Be sure to turn off the power and remove the batteries before care and inspection to prevent this product from starting accidentally.</p>	
<p>When inserting the battery into this product, be careful not to turn on the power.</p> <ul style="list-style-type: none"> • When you install the battery in conditions where the power can possibly be turned on (for example, when your finger is rested on the start/stop button), this product may begin to move suddenly, causing an accident. 	
<p>In the event of an inadvertent drop or collision, carefully check this product, etc. for damage, cracks, and deformation.</p> <ul style="list-style-type: none"> • Damage, cracks, and deformation can be a cause of injury. 	
<p>Move this product gently to prevent the product from being deformed and damaged.</p> <ul style="list-style-type: none"> • Damage, cracks, and deformation can be a cause of injury. 	
<p>If this product is not working properly or an abnormal sound is produced when you use the product, turn off the power immediately and stop using the product. Then, ask the shop from which you made a purchase or our sales office to do inspection and repair.</p> <ul style="list-style-type: none"> • If you continue to use the product, injury or an accident may result. 	
<p>Check for damaged parts.</p> <ul style="list-style-type: none"> • Before using the product, thoroughly inspect for damage on components and check that the product works properly and provides predetermined functionality. • Check movable parts for proper positioning and tightening, and check components for damage and proper fitting. Then, check all other areas that can influence the operation to see if there is any abnormality. • For replacement and repair of damaged components, follow the user's manual. If no description is given in the user's manual, ask the shop from which you made a purchase or our sales office to do repair. 	
<p>Carefully keep this product in good condition.</p> <ul style="list-style-type: none"> • For replacement of accessories, follow the user's manual. • Periodically inspect the cord of the charger, and if it is damaged, ask the shop from which you made a purchase or our sales office to do repair. Electric shock or a short circuit may result, causing ignition. • When an extension cord is used for charging, inspect it periodically, and if it is damaged, replace it. Electric shock or a short circuit may result, causing ignition. • Always keep the carrying handle dry and clean and do not allow it to come into contact with oil, grease, etc. 	
<p>When this product is not used, keep it in proper storage.</p> <ul style="list-style-type: none"> • Keep it in a dry, safe place out of the reach of children or in a dry place that can be locked. An accident may result. 	
<p>Pull out the charger from a power outlet when it is not used for charging.</p> <ul style="list-style-type: none"> • Not doing so can cause electric shock, current leakage, or fire due to insulation deterioration. 	
<p>If you notice abnormal heat or other abnormal conditions during charging, pull out the power plug of the charger immediately to stop charging.</p> <ul style="list-style-type: none"> • If you let charging continue, smoke, ignition, or rupture may result. 	


 CAUTION	
<p>Attach accessories securely in accordance with the user's manual.</p> <ul style="list-style-type: none"> • If they are not attached securely, it can cause injury, damage, or an accident. 	
<p>When carrying this product, always hold its carrying handle.</p> <ul style="list-style-type: none"> • Carrying the product while holding other than the carrying handle can cause failure or injury. 	

Safety precautions for use of the robotic cleaner


 WARNING	
<p>Do not use this product in a high place with no enclosure or in a place with a narrow width such as stairs.</p> <ul style="list-style-type: none"> • Doing so can cause injury or failure due to a fall of this product. 	
<p>Do not use this product in a place where oil components such as edible oil are floating, in a place where sprays and chemicals are used, such as a barber shop, a beauty salon, a cleaning shop, or outdoors.</p> <ul style="list-style-type: none"> • Doing so can cause failure. 	
<p>Do not use this product in a place with a person who cannot operate this product properly, a young child, or an infant.</p> <ul style="list-style-type: none"> • Doing so can cause electric shock, an accident, or injury. 	
<p>Do not use this product in a place with an animal, etc.</p> <ul style="list-style-type: none"> • Doing so can cause electric shock, an accident, or injury. 	
<p>Do not use this product in a place with many people or with people coming and going constantly.</p> <ul style="list-style-type: none"> • Doing so can cause electric shock, an accident, or injury. 	
<p>Do not block the exhaust opening and suction opening or put in metals, flammable foreign objects, etc.</p> <ul style="list-style-type: none"> • Doing so can cause electric shock, ignition, or failure. 	
<p>Do not use this product near an object that may possibly block the suction opening.</p> <ul style="list-style-type: none"> • Doing so can cause electric shock, ignition, or failure. 	
<p>Do not throw this product into fire or heat it.</p> <ul style="list-style-type: none"> • Doing so can cause a short circuit, ignition, liquid leakage, or explosion. 	
<p>Do not place this product in a high-temperature place, such as near fire or a space heater, a place exposed to direct sunlight, and the inside of a car under the blazing sun.</p> <ul style="list-style-type: none"> • Doing so can cause a short circuit, ignition, liquid leakage, or explosion. 	
<p>Do not put objects over this product.</p> <ul style="list-style-type: none"> • Doing so can cause overheating, resulting in ignition. 	
<p>Do not place this product in direct sunlight.</p> <ul style="list-style-type: none"> • Doing so may cause incorrect response of the LiDAR sensor and infrared sensor, resulting in malfunction or failure. 	
<p>Do not block sensors of this product or put in foreign objects.</p> <ul style="list-style-type: none"> • Doing so can cause faulty operation, malfunction, or failure. 	
<p>Do not affix a sticker or tape on sensors and wheels.</p> <ul style="list-style-type: none"> • Doing so can cause malfunction or failure. 	
<p>Do not sit on this product, place a heavy object on it, or give a strong shock to it.</p> <ul style="list-style-type: none"> • Doing so can cause damage or failure of this product or injury. Pay special attention when children are nearby. 	

⚠ WARNING	
<p>During operation, do not touch drive wheels or put your hand or foot under this product.</p> <ul style="list-style-type: none"> Doing so can cause injury to a hand, etc. Pay special attention when children are nearby. 	
	
<p>Do not allow the product to be used by a child alone. People who cannot express their will and people who cannot operate the product independently should not use this product.</p> <ul style="list-style-type: none"> Doing so can cause electric shock, an accident, or injury. 	
<p>Do not pour water or a detergent on this product or wash this product (except the main brush, side brush, dust box, and filter).</p> <ul style="list-style-type: none"> Doing so can cause electric shock, a short circuit, or ignition. 	
<p>Do not touch the product with wet hands.</p> <ul style="list-style-type: none"> Doing so can cause electric shock. 	
<p>Do not use magnetic boundary line that is torn or deformed or appears to have lost its magnetic force.</p> <ul style="list-style-type: none"> Doing so can cause an accident or injury. 	
<p>Your body parts such as hands and hair and what you are wearing should not be put in the suction opening and exhaust opening of this product.</p> <ul style="list-style-type: none"> Doing so can cause injury. 	
<p>Your body parts such as hands and hair and what you are wearing should not be allowed to come into contact with a brush that is rotating.</p> <ul style="list-style-type: none"> Doing so may cause injury. 	
<p>Do not allow this product to suck in the following. Doing so can cause fire, injury, or motor failure.</p> <p>Flammable substances</p> <ul style="list-style-type: none"> Oils (kerosene, gasoline, etc.) Solvents (benzine, thinner, etc.) Burning things such as matches, incense, candles, and hot ash; things that emit smoke such as cigarettes; things with high temperatures. Combustibles such as toner Paints Grinding sparks, metal dust, etc. that are generated in metal cutting and grinding . Flammable gas (spray, etc.) <p>Explosive substances</p> <ul style="list-style-type: none"> Nitroglycerin, etc. Combustible substances Aluminum, magnesium, titanium, zinc, red phosphorus, yellow phosphorus, celluloid, and other chemical substances; dust, gas, and vapor thereof <p>Sharp objects</p> <ul style="list-style-type: none"> Glass, edged tools, wood chips, metal, stones, nails, razors, pushpins, needles, etc. <p>Bubbly things such as carpet detergents</p> <p>Things that solidify and conductive fine powder (metal powder, carbon)</p> <p>Dehumidifying agents</p> <p>A large amount of powder (flour, ash, powder in a fire extinguisher, etc.)</p> <p>Substances that cause symptoms of poisoning</p> <p>Medicines</p> <p>Liquid and wet garbage</p> <p>Excrement and vomit of animals, etc.</p> <p>Large paper waste, plastic waste, strings</p>	

⚠ WARNING	
<p>Do not use the product in the following conditions, which can be a cause of fire.</p> <ul style="list-style-type: none"> Large volume of combustibles are drifting. The exhaust opening is blocked. The dust box and filter are not attached. Trash gets caught in the main brush, which is locked. There are holes and tears in the filter. The battery is not fully inserted. 	
<p>Do not cause a short circuit between the terminals of the USB power supply section (for repair).</p> <ul style="list-style-type: none"> Inserting needles or wire into the USB terminal section may result in a short circuit, causing ignition or emission of smoke. 	
<p>Do not look directly into the laser light (beam).</p> <ul style="list-style-type: none"> Doing so may cause injury to the eyes. 	
<p>This product complies with the applicable safety regulations, so do not modify this product.</p> <ul style="list-style-type: none"> Performing repairs without the knowledge or skill to perform repairs may cause inadequate performance of the laser, as well as accidents or injury. 	
<p>Do not use rechargeable products near high-voltage power lines.</p> <ul style="list-style-type: none"> There is a risk of malfunction or failure. 	

⚠ WARNING	
<p>Stop using the product if it sometimes fails to operate even though the power is turned on.</p> <ul style="list-style-type: none"> Not doing so can cause smoking, ignition, or electric shock. 	
<p>Stop using the product immediately when it is deformed or is abnormally hot.</p> <ul style="list-style-type: none"> Not doing so can cause smoking, ignition, or electric shock. 	
<p>Stop using the product when it sometimes stops during operation.</p> <ul style="list-style-type: none"> Not doing so can cause smoking, ignition, or electric shock. 	
<p>Stop using the product immediately when an abnormal sound is heard during operation.</p> <ul style="list-style-type: none"> Not doing so can cause smoking, ignition, or electric shock. 	
<p>Stop using the product immediately when it smells like something is burning.</p> <ul style="list-style-type: none"> Not doing so can cause smoking, ignition, or electric shock. 	
<p>Before use and maintenance, move lighted candles, vases, etc. on tables and shelves.</p> <ul style="list-style-type: none"> Not doing so can cause them to fall due to a shock when hit by this product, possibly resulting in an accident. 	
<p>Before use and maintenance, move rubber bands and other objects that may possibly be dragged by this product.</p> <ul style="list-style-type: none"> Not doing so can cause this product to drag a rubber band, etc. possibly resulting in an accident. 	
<p>Before use and maintenance, move equipment and devices with a controller located on the same level as this product.</p> <ul style="list-style-type: none"> Not doing so can cause this product to hit and press a controller, possibly resulting in fire, injury, or an accident. 	
<p>Before maintenance and inspection, be sure to turn off the power of this product and remove the batteries.</p> <ul style="list-style-type: none"> Not doing so can cause electric shock or injury. 	
<p>During maintenance, be careful not to get your fingers caught.</p> <ul style="list-style-type: none"> Doing so can cause injury. 	
<p>If you have an implantable cardiac pacemaker or an implantable defibrillator, use this product more than 15 cm (5-7/8") away from the implantation site.</p> <ul style="list-style-type: none"> Radio waves may affect the operation of a medical device and can cause malfunction of the medical device. 	

⚠ WARNING	!
<p>When you use equipment that emits radio waves in a medical institution, follow the instructions by the medical institution. In an area where use is prohibited, turn off the power of this product.</p> <ul style="list-style-type: none"> • Not doing so can cause malfunction of medical devices. 	

⚠ CAUTION	⊘
<p>During use and maintenance, do not put foreign objects in gaps and openings.</p> <ul style="list-style-type: none"> • Doing so can cause electric shock, fire, or failure of this product. 	
<p>Do not use this product on a long-pile (exceeds 7 mm (9/32")) carpet or other rugs.</p> <ul style="list-style-type: none"> • Doing so can cause the side brushes to get caught, resulting in damage to the carpet and side brushes. 	
<p>Do not use this product on a delicate rug (mouton, felt, etc.), a delicate floor (a plain wood floor, a marble floor, etc.), and a freshly waxed floor.</p> <ul style="list-style-type: none"> • Doing so can cause damage or scratches. If damage is caused, stop using the product. 	
<p>Do not stand or sit on the top surface of this product.</p> <ul style="list-style-type: none"> • Doing so can cause this product to move suddenly, resulting in injury such as falling down. 	
<p>Do not operate this product for long hours with the suction opening blocked.</p> <ul style="list-style-type: none"> • Doing so can cause deformation or ignition of this product due to overheating. 	
<p>Do not put your hand or foot under this product.</p> <ul style="list-style-type: none"> • There is a risk that your fingers or toes will get caught, resulting in injury. 	
<p>Do not continue using this product with the filter being dirty or with dust accumulated.</p> <ul style="list-style-type: none"> • Doing so can cause reduction in suction power. 	
<p>Do not hold this product with its front facing downward.</p> <ul style="list-style-type: none"> • Dust can fall from the suction opening. 	
	

⚠ CAUTION	!
<p>To prevent malfunctions, ensure that each sensor is well maintained.</p> <ul style="list-style-type: none"> • An incorrect response of a sensor can cause injury or failure due to a malfunction or a fall of this product. 	
<p>Make sure that the long tassels of rugs such as a carpet and a mat are tucked inside.</p> <ul style="list-style-type: none"> • The tassels may get caught in the drive wheels and/or main brush, causing damage to rugs and this product. 	
<p>When you carry this product, stop the operation first, then turn off the power. Hold the carrying handle firmly so as not to get your hands caught.</p> <ul style="list-style-type: none"> • Lifting this product inadvertently can cause injury or failure. 	
<p>Put away cords and strings to ensure that they do not get caught in this product.</p> <ul style="list-style-type: none"> • Not doing so can cause failure or faulty operation due to entanglement of the power cord. 	
<p>Before cleaning, move objects that break easily, objects that fall down easily, and objects that should not be sucked in. Put away long strings and cords.</p> <ul style="list-style-type: none"> • Not doing so can cause damage, scratches, or failure of this product. 	

⚠ CAUTION	!
<p>Use this product with the filter set correctly. Do not use this product with the filter removed, set in a wrong position, or torn.</p> <ul style="list-style-type: none"> • Doing so can cause failure such as motor burnout. • Dust may escape and become harmful to health. 	
<p>Be careful not to get your fingers caught when opening and closing the top cover of the body and the top cover of the dust box, attaching the filter, and connecting and disconnecting the battery.</p> <ul style="list-style-type: none"> • There is a risk that your fingers will get caught, resulting in injury. 	

About handling

1. Use this product indoors. Do not clean a place with a large amount of dust even if it is indoors.
2. Do not clean a floor whose surface is hard and bumpy. Doing so can cause brushes and wheels to wear out early.
3. After cleaning, remove sand dust stuck on the main brush, side brushes, and wheels. If they are left uncleaned, the floor surface may be damaged.
4. Always attach the main brush and its cover when using this product.
5. Do not lubricate the movable parts of the main brush, etc. Doing so can cause plastic parts to break.
6. For use on a delicate floor surface, it is recommended to replace with the separately sold items "soft main brush" and "soft side brush." However, scratches may be made depending on the floor surface conditions. In such a case, stop using the product.
7. Do not drag this product. Lift this product when moving it.
8. Do not affix a sticker or tape to sensor parts and wheels, deform the bumper and wheels, or allow the bumper to be pressed forcefully. Doing so can cause malfunction.
9. If fine powder (such as plaster, cement, and chalk) is sucked in, care for the filter, cliff sensor, and LiDAR sensor.
10. Do not allow this product to suck in the following, which can cause scratches on the inside of this product, clogging of dust, or failure. If any of them is sucked in accidentally, stop the operation and discard the dust.
 - (1) Wet waste (liquid and moist waste)
 - (2) Excrement of animals, etc.
 - (3) Large volume of sand and powder
 - (4) Strings
 - (5) Sharp-edged objects (glass, cutting tools, pins, etc.)
 - (6) Large size of rubbish and large volume of rubbish
 - (7) Objects with poor air permeability (food plastic wrap, vinyl, wrapping film, etc.)
11. If the bottom brush of the suction opening, casters, drive wheels, or the roller part of the main brush cover wears out, stop using this product and consult the shop from which you made a purchase or our sales office. Using the robotic cleaner with worn out parts can cause damage to the floor surface.
12. During operation, noise may occur on a TV screen but does not affect the TV itself.
13. Be careful when operating this product in a place where a security system works. This product may be wrongly detected as an intruder by the security system.
14. Do not do the following.
 - (1) Non-use for a long period of time with the battery installed
 - (2) Use with the sensor being dirty or with the filter clogged
 - (3) Use when you notice a battery error (a strange smell, liquid leakage, heating, deformation, or other abnormal things)
 - (4) Use without removing sand dust and other foreign matter stuck on the main brush, side brushes, and wheels
 - (5) Use with some components worn out or exhausted
 - (6) Use without reading the user's manual
 - (7) Turning the product upside down and performing maintenance with the battery installed
 - (8) Use without doing maintenance on the magnetic boundary line

Battery tool use and care

⚠ WARNING
<p>Read all safety warnings and instructions. Failure to follow the warnings and instructions may result in electric shock, fire and/or serious injury.</p>
<ol style="list-style-type: none"> 1. Recharge only with the charger specified by the manufacturer. A charger that is suitable for one type of battery cartridge may create a risk of fire when used with another battery cartridge. 2. Use appliances only with specifically designated battery cartridges. Use of any other battery cartridges may create a risk of injury and fire. 3. When battery cartridge is not in use, keep it away from other metal objects, like paper clips, coins, keys, nails, screws or other small metal objects, that can make a connection from one terminal to another. Shorting the battery terminals together may cause burns or a fire.

4. Under abusive conditions, liquid may be ejected from the battery; avoid contact. If contact accidentally occurs, flush with water. If liquid contacts eyes, additionally seek medical help. Liquid ejected from the battery may cause irritation or burns.
5. Do not use a battery cartridge or tool that is damaged or modified. Damaged or modified batteries may exhibit unpredictable behaviour resulting in fire, explosion or risk of injury.
6. Do not expose a battery cartridge or tool to fire or excessive temperature. Exposure to fire or temperature above 130 °C (265 °F) may cause explosion.
7. Follow all charging instructions and do not charge the battery cartridge or tool outside the temperature range specified in the instructions. Charging improperly or at temperatures outside the specified range may damage the battery and increase the risk of fire.
8. Have servicing performed by a qualified repair person using only identical replacement parts. This will ensure that the safety of the product is maintained.
9. Do not modify or attempt to repair the appliance or the battery cartridge except as indicated in the instructions for use and care.
10. Prevent unintentional starting. Ensure the switch is in the off position before connecting to the battery cartridge, or picking up or carrying the robotic cleaner. Carrying the robotic cleaner with your finger on the switch or energizing the robotic cleaner with the switch on may cause accidents.
11. Disconnect the battery cartridge from the robotic cleaner before making any adjustments, changing accessories, or storing the robotic cleaner. Such preventative safety measures reduces the risk of starting the robotic cleaner accidentally.
12. The battery cartridge is not charged sufficiently when factory-shipped. Charge the battery before use.
13. When not using the battery cartridge, always put the cover on it.

Important safety instructions for battery cartridge

1. Before using battery cartridge, read all instructions and cautionary markings on (1) battery charger, (2) battery, and (3) product using battery.
2. Do not disassemble or tamper with the battery cartridge. It may result in a fire, excessive heat, or explosion.
3. If operating time has become excessively shorter, stop operating immediately. It may result in a risk of overheating, possible burns and even an explosion.
4. If electrolyte gets into your eyes, rinse them out with clear water and seek medical attention right away. It may result in loss of your eyesight.
5. Do not short the battery cartridge:
 - (1) Do not touch the terminals with any conductive material.
 - (2) Avoid storing battery cartridge in a container with other metal objects such as nails, coins, etc.
 - (3) Do not expose battery cartridge to water or rain. A battery short can cause a large current flow, overheating, possible burns and even a breakdown.
6. Do not store and use the tool and battery cartridge in locations where the temperature may reach or exceed 50 °C (122 °F).
7. Do not incinerate the battery cartridge even if it is severely damaged or is completely worn out. The battery cartridge can explode in a fire.
8. Do not nail, cut, crush, throw, drop the battery cartridge, or hit against a hard object to the battery cartridge. Such conduct may result in a fire, excessive heat, or explosion.
9. Do not use a damaged battery.
10. The contained lithium-ion batteries are subject to the Dangerous Goods Legislation requirements. For commercial transports e.g. by third parties, forwarding agents, special requirement on packaging and labeling must be observed.
For preparation of the item being shipped, consulting an expert for hazardous material is required. Please also observe possibly more detailed national regulations.
Tape or mask off open contacts and pack up the battery in such a manner that it cannot move around in the packaging.
11. When disposing the battery cartridge, remove it from the tool and dispose of it in a safe place. Follow your local regulations relating to disposal of battery.
12. Use the batteries only with the products specified by Makita. Installing the batteries to non-compliant products may result in a fire, excessive heat, explosion, or leak of electrolyte.
13. If the tool is not used for a long period of time, the battery must be removed from the tool.
14. During and after use, the battery cartridge may take on heat which can cause burns or low temperature burns. Pay attention to the handling of hot battery cartridges.
15. Do not touch the terminal of the tool immediately after use as it may get hot enough to cause burns.
16. Do not allow chips, dust, or soil stuck into the terminals, holes, and grooves of the battery cartridge. It may result in poor performance or breakdown of the tool or battery cartridge.
17. Unless the tool supports the use near high-voltage electrical power lines, do not use the battery cartridge near high-voltage electrical power lines. It may result in a malfunction or breakdown of the tool or battery cartridge.
18. Keep the battery away from children.

SAVE THESE INSTRUCTIONS.

CAUTION

Only use genuine Makita batteries. Use of non-genuine Makita batteries, or batteries that have been altered, may result in the battery bursting causing fires, personal injury and damage. It will also void the Makita warranty for the Makita tool and charger.

Tips for maintaining maximum battery life

1. Charge the battery cartridge before completely discharged. Always stop tool operation and charge the battery cartridge when you notice less tool power.
2. Never recharge a fully charged battery cartridge. Overcharging shortens the battery service life.
3. Charge the battery cartridge with room temperature at 10 °C - 40 °C (50 °F - 104 °F). Let a hot battery cartridge cool down before charging it.
4. When not using the battery cartridge, remove it from the tool or the charger.
5. Charge the battery cartridge if you do not use it for a long period (more than six months).

For button cell or coin battery

This product contains non-replaceable button cell or coin battery.
Battery Type: MS621FE, rated voltage: 3V

WARNING

- **INGESTION HAZARD:** This product contains a button cell or coin battery.
- **DEATH** or serious injury can occur if ingested.
- A swallowed button cell or coin battery can cause **Internal Chemical Burns** in as little as **2 hours**.
- **KEEP** new and used batteries **OUT OF REACH** of **CHILDREN**.
- **Seek immediate medical attention** if a battery is suspected to be swallowed or inserted inside any part of the body.



1. Remove and immediately recycle or dispose of used batteries according to local regulations and keep away from children. Do NOT dispose of batteries in household trash or incinerate.
2. Even used batteries may cause severe injury or death.
3. Call a local poison control center for treatment information.
4. Non-rechargeable batteries are not to be recharged.
5. Do not force discharge, recharge, disassemble, heat above 50 °C (122 °F) or incinerate. Doing so may result in injury due to venting, leakage or explosion resulting in chemical burns.

Precautions regarding radio waves

- Do not use this product in the following locations.
 - In or near locations with medical equipment
 - Near electronic devices with high precision control or faint signals (Examples of electronic devices that require caution: hearing aids, pacemakers and other medical equipment, fire alarms, automatic doors and other automatically controlled equipment)
 - Inside of a hospital or aircraft (Follow the instructions of the hospital or airline and do not use the product in prohibited areas)
- Wireless connection and performance are not guaranteed in all environments. The radio waves may not be received or may be interrupted in the following cases.
 - Use in buildings constructed with concrete, rebar, and metal
 - Installation near obstacles
 - Use in locations where interference occurs with wireless communication devices that use the same frequency
 - Use in locations with equipment that produces magnetic fields, static electricity, or radio interference, such as microwave ovens

Respective trademarks and registered trademarks

Trademark notice

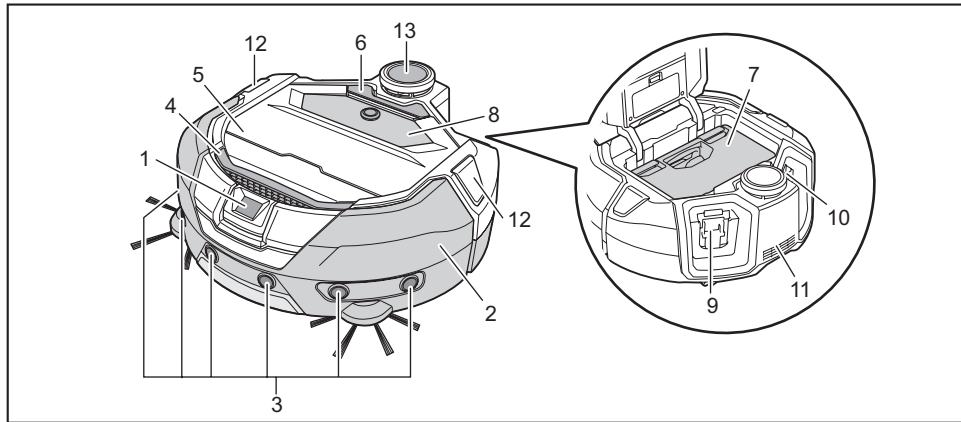
- Android and Google Play are trademarks or registered trademarks of Google LLC.
- iPhone is a trademark of Apple Inc., registered in the U.S. and other countries.
- The iPhone trademark is used under license from Alphone Co., Ltd.
- App Store is a service mark of Apple Inc.
- Wi-Fi is a trademark and registered trademark of Wi-Fi Alliance.
- The Bluetooth® word mark and logos are registered trademarks owned by the Bluetooth SIG, Inc. and any use of such marks by Makita is under license. Other trademarks and trade names are those of their respective owners.



- All other trademarks in this document are the property of their respective owners.
Note that ™ and ® marks are omitted in some of the main text.

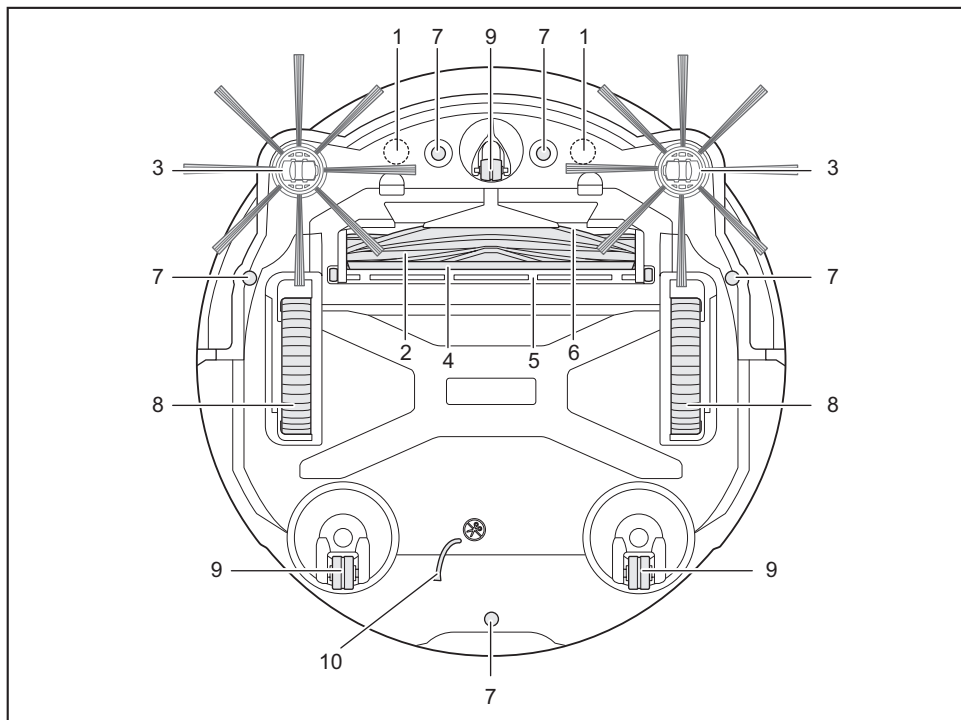
Names of parts

Main unit (top view, lateral view, interior)



- | | |
|-----------------------------------|--|
| 1. Camera sensor | 8. Operation panel (display) (See page 9.) |
| 2. Bumper | 9. Left-battery insertion slot |
| 3. Ultrasonic sensor | 10. Right-battery insertion slot |
| 4. Carrying handle (See page 10.) | 11. Exhaust opening |
| 5. Top cover | 12. Position LED |
| 6. Open button | 13. LiDAR sensor |
| 7. Dust box (See page 13.) | |


Main unit (bottom view)



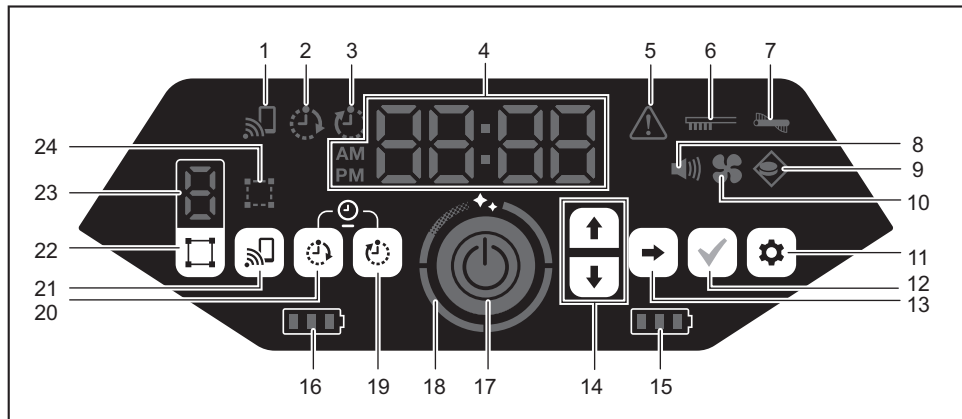
- | | |
|--|--------------------|
| 1. Magnet sensor for boundary sensing (built-in) | 6. Suction opening |
| 2. Main brush | 7. Cliff sensor |
| 3. Side brush | 8. Drive wheel |
| 4. Bottom brush | 9. Caster |
| 5. Main brush cover | 10. Earthing line |

NOTICE

- The earthing line reduces the electrical charge on the sensor.

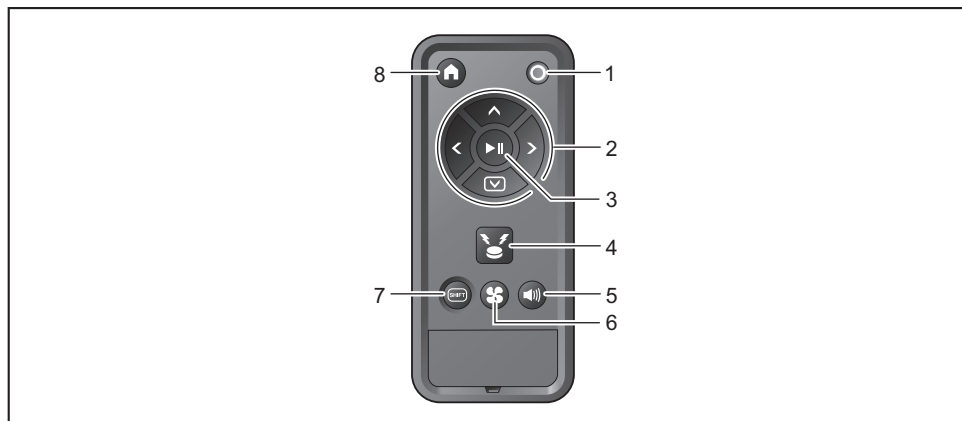
 : Do not accidentally pull or cut the earthing line.

Main unit (operation panel (display))



- | | |
|---|---|
| 1. Smartphone connection lamp (green) | 13. Next button |
| 2. ON timer lamp (green) (See page 19.) | 14. Up button, down button |
| 3. OFF timer lamp (green) (See page 19.) | 15. Right-battery power lamp (green) (See page 15.) |
| 4. Time indicator (green) | 16. Left-battery power lamp (green) (See page 15.) |
| 5. Error lamp (red) (See page 28.) | 17. Start/stop button (See page 15.) |
| 6. Filter care lamp (red) (See page 28.) | 18. Clean level lamp (white) (See page 17.) |
| 7. Brush error lamp (red) (See page 28.) | 19. OFF timer button (See page 19.) |
| 8. Sound lamp (green) (See page 22.) | 20. ON timer button (See page 18.) |
| 9. Boundary-sensing lamp (green) (See page 20.) | 21. Smartphone connection button |
| 10. Vacuum fan lamp (green) (See page 18.) | 22. Mode switch button (See page 16.) |
| 11. Setting button | 23. Mode/room number display (See page 16.) |
| 12. Confirmation button | 24. Room register lamp (green) (See page 16.) |

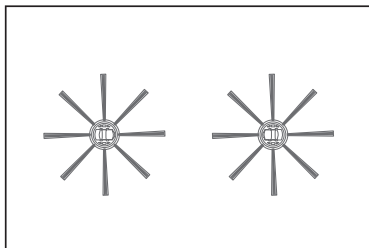
Remote control



- | | |
|--|-----------------------------|
| 1. Power OFF button | 5. Sound ON/OFF button |
| 2. Action buttons | 6. Vacuum fan ON/OFF button |
| 3. Start/stop button | 7. Shift button |
| 4. Location beacon buzzer/light button | 8. Start point button |

Standard accessories

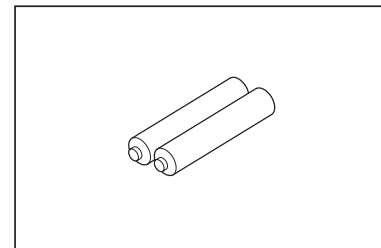
- Side brushes (four)
Two are for replacement. Attach two to the robotic cleaner. (See page 13.)



- Remote control



- AAA dry batteries (two) * Country specific
Install them in the remote control. (See page 13.)



Prepare Before Cleaning

About carrying the robotic cleaner

⚠ CAUTION

When you carry the robotic cleaner, stop the operation, then turn the power off, and then hold the carrying handle firmly so as not to get your hand caught.

- Not doing so can cause your hand to be caught in the handle.

Keep proper footing and balance at all times when lifting the robotic cleaner.

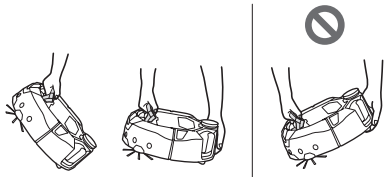
- Not doing so can cause injury or failure.

Do not lift the robotic cleaner carelessly.

- Doing so can cause injury or failure.

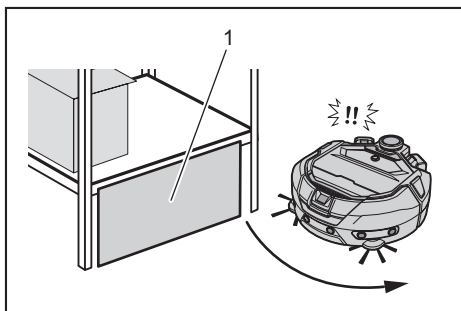
Do not hold the robotic cleaner with its front facing downward.

- Dust can fall from the suction opening.



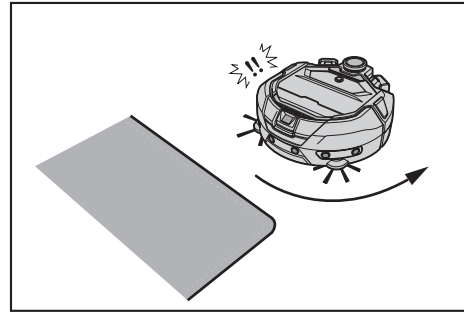
About cleaning by the robotic cleaner

- The robotic cleaner detects obstacles by its LiDAR sensor and ultrasonic sensor and runs while avoiding those obstacles. It collects and sucks dust with its side brushes and main brush. It may fail to recognize an obstacle depending on the conditions. When it hits an obstacle, the bumper detects the contact and avoid the obstacle.
- The robotic cleaner can climb over a step of up to about 2.0 cm (13/16"). If it is less than 2.0 cm (13/16"), however, the robotic cleaner sometimes fails to climb over it depending on the conditions such as the shape of the step.
- On a slope or an uneven place, the undersurface of the robotic cleaner may be caught and a drive wheel may be lifted, which causes the robotic cleaner to stop due to an error. If the robotic cleaner stops often, do not allow it to enter that place. (See page 20.)
- Where there is an obstacle near a wall, the robotic cleaner may run up onto the wall while trying to avoid the obstacle.
- The LiDAR sensor may not be able to recognize obstacles with the following characteristics, which may result in inaccurate mapping or bumping into obstacles.
 - Highly reflective obstacles such as mirrors
 - Highly transparent obstacles such as glass
 - Obstacles made of black, glossy material
 - Slim obstacles such as the legs of a chair or desk
- When the robotic cleaner enters a narrow space lower than the height of the robotic cleaner, it can get caught and stuck. In such a case, place a screen or something.



- ▶ 1. Block a gap with a screen or something.

- A black floor, a transparent floor such as a glass floor, or black areas on the grain of wood flooring may be determined to be a step by the robotic cleaner, which then tries to avoid it.

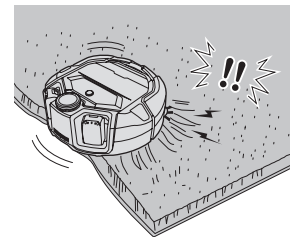


- The robotic cleaner may not be able to suck dust in an area around a step over which the robotic cleaner can climb, a secluded or narrow space that the robotic cleaner cannot enter, or a place that the side brushes cannot reach.
- The robotic cleaner may kick away a small, hard object such as a small stone.
- The robotic cleaner may climb over a step accidentally if there is an object which can help it climbing up (for example, a board or carpet). Keep such objects away from the steps.

⚠ CAUTION

Do not use the robotic cleaner in the following places.

- Do not use the robotic cleaner on places such as a carpet with a pile height of more than 7 mm (9/32"), a rug with piles that fall out easily, and an uneven rug. On such a rug, the robotic cleaner may stop operating, piles may be caught in the side brushes, or the rug or the side brushes may be damaged. If the robotic cleaner cannot run well on a rug other than described above, avoid use on that rug.



- Do not use the robotic cleaner on a mattress, a blanket, a floor cushion, etc.
- Do not use the robotic cleaner in a wet area, a toilet, a bathroom, an attic, outdoors, etc.
- Do not use the robotic cleaner in a wet place, a place that may become wet, or in a hot, humid place.

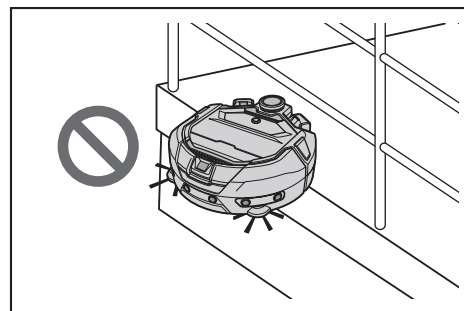
To prevent the robotic cleaner from falling

⚠ WARNING

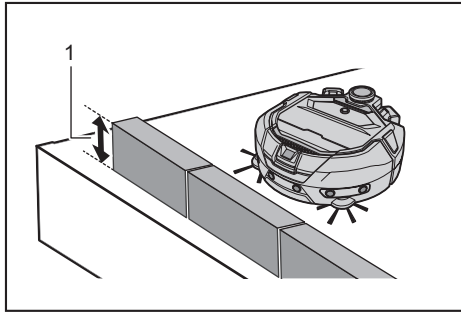
Ensure that the robotic cleaner does not fall.

- If it falls, it may cause breakage or injury.

- Do not use the robotic cleaner in a mezzanine floor, a loft, a stairwell, a place without walls, or a place with a slope of 10° or more.

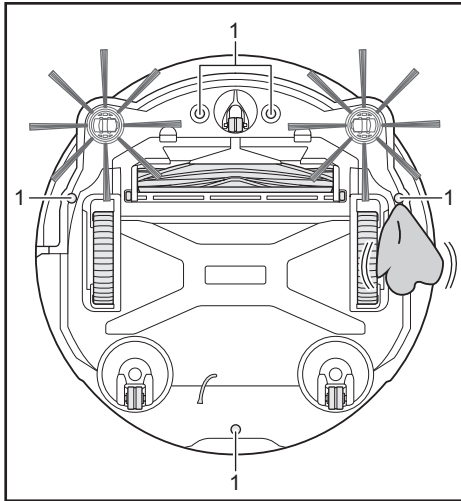


- In a place where an accident or other dangerous situation may occur due to a fall, place an object that has a height of 25 cm (9-7/8") or more and can serve as a wall (object that does not move or topple over when hit by the robotic cleaner).



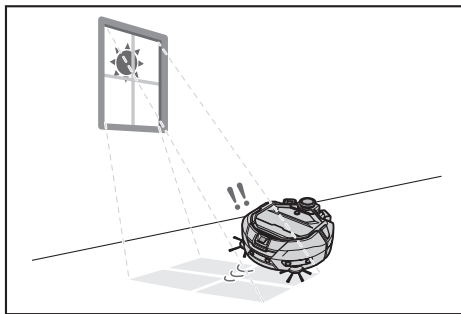
- ▶ 1. Height of 25 cm (9-7/8") or higher

- If dirt or water droplets due to condensation are formed on the cliff sensor on the undersurface of the robotic cleaner, wipe them off with a dry, soft cloth, a cotton swab, etc.

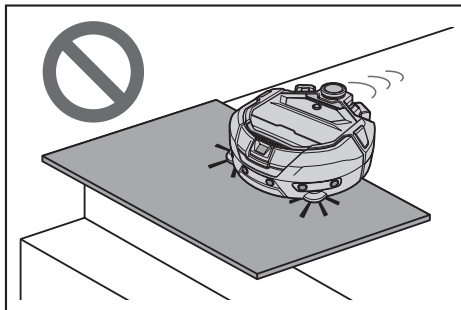


- ▶ 1. Cliff sensor (five places)

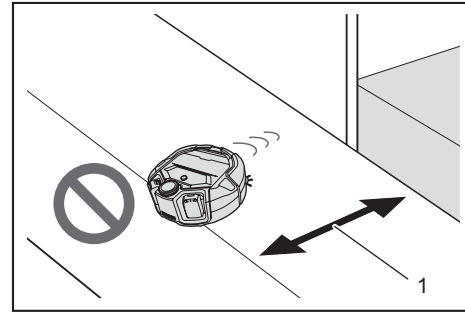
- The robotic cleaner may fail to operate properly when exposed to sunlight or infrared light from other equipment. Ensure that the robotic cleaner is not exposed to infrared light from a halogen heater, a remote control, a sensor, and other equipment and sunlight coming from frosted glass, etc.



- Do not use when there are objects such as carpets, mats, or plates near a step. If an object such as a carpet, mat, or plate is covering the step, the cliff sensor may not recognize the step correctly.

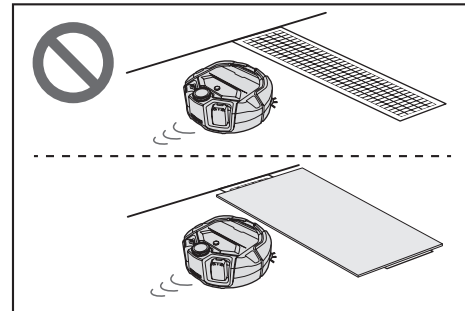


- In such a place that the distance from a wall to a step is less than about 1 m (3.28 ft), the robotic cleaner may fall while moving backward. Do not use the robotic cleaner where the distance from a wall to a step is less than about 1 m (3.28 ft).



- ▶ 1. Less than about 1 m (3.28 ft)

- Where there is a drain cover (grating cover), the cliff sensor may recognize it as a step and the robotic cleaner may not be able to pass over it. If it is necessary to pass over it, cover the grating with a plate or something.



- A step of about 3.0 cm (1-3/16") or less may not be recognized as a step by the cliff sensor, resulting in the robotic cleaner climbing down the step while going straight. Where there is a step of from about 2.0 to 3.0 cm (13/16" to 1-3/16"), refrain from using the robotic cleaner.
- Shut any sliding doors, screens, or windows because the level difference of their frames or rails may not be recognized as a step by the bumper sensors.
- Do not use the robotic cleaner on a breakable flooring surface such as glass.

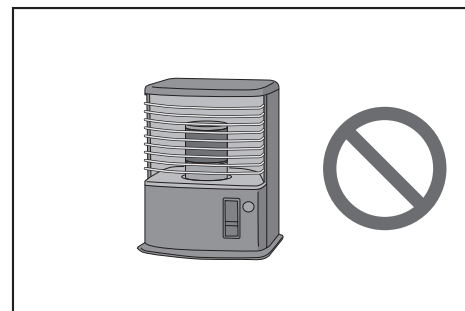
Tidying up a place to clean

⚠ WARNING

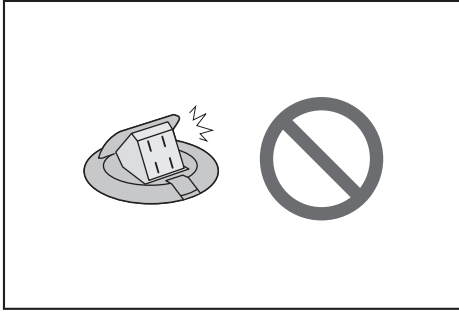
Move objects that may cause damage or an accident when the robotic cleaner comes into contact with them. Put away objects that should not be sucked in, objects that hinder the movement of the robotic cleaner, and objects that are likely to get caught in the main brush, wheels, and side brushes.

- If you leave an object that will obstruct the movement of the robotic cleaner during cleaning, it may cause an accident or injury.

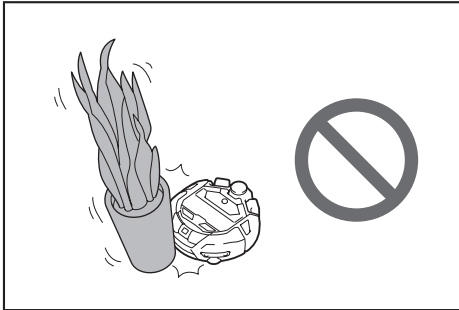
- Do not use the robotic cleaner near objects that get hot, such as a heating apparatus (space heater). Doing so can cause an accident, ignition, or failure. (Do not use a heating apparatus during operation.)



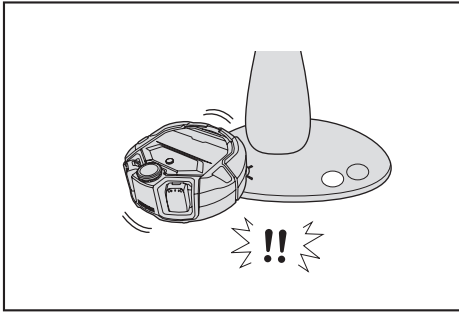
- Do not use the robotic cleaner in a place equipped with a retractable outlet. A retractable outlet should be always retracted.



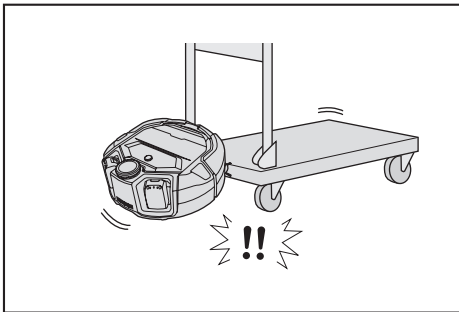
- For walls made of fragile material (e.g., a mud wall, a decorated door or sliding door, or a folding screen), place objects that serve as a wall in front of them so that they will not be damaged.
- Do not use in locations where unstable objects or objects that fall down easily are placed. Unstable objects and objects that fall down easily should be moved to another room.



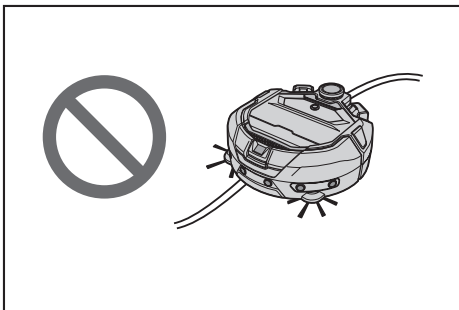
- Move equipment and devices with a controller located on the same level as the robotic cleaner.



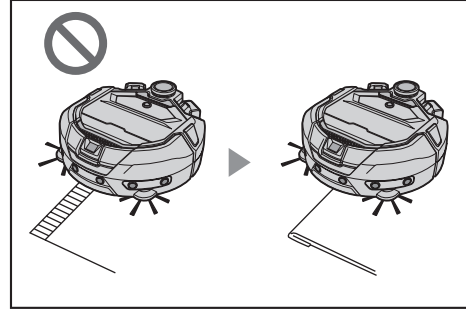
- Put away burning candles and easily breakable objects.
- For objects with casters such as a truck and a wheelchair, and light chairs that move easily, lock the casters or put them away.



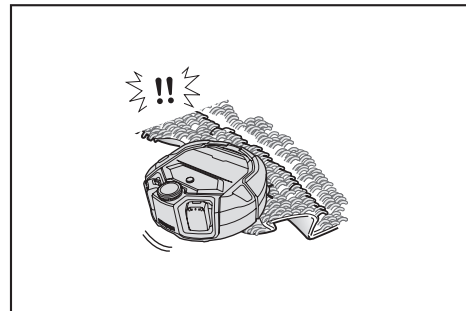
- Do not use with stray cords that may get caught or tangled. Make sure that power cables are laid alongside a wall so that the robotic cleaner will not be caught in them.



- Put away long, thin objects such as a cord and a belt.
- Put away small goods that are easily sucked in and valuable goods.
- Put away objects that block the passage of the robotic cleaner, such as a work table, a chair, a tool, and a plate.
- If animal excrement or other liquid wastes are sucked in, the robotic cleaner may malfunction. Clean them up.
- Make sure that the tassels of a mat or other coverings are tucked inside.



- Lift the hem of a curtain, etc. that hangs down on the floor. The hem may get caught in the main brush, etc.
- Put away thin, slippery rugs, such as a mat and a carpet. The rugs and side brushes may be damaged.



- Put away thin paper and cloth, plastic bags, etc.
- In a place leading to outside, close the doors to prevent the robotic cleaner from going to outside. If the doors cannot be closed, do not use the robotic cleaner. In addition, close the doors of rooms that the robotic cleaner should not enter.
- The robotic cleaner may not be able to run properly on a slippery floor surface. Check the condition of the floor before use.
- Ensure a pathway of 80 cm (31-1/2") or more for cleaning.

Preparation For Use


Attaching the side brushes

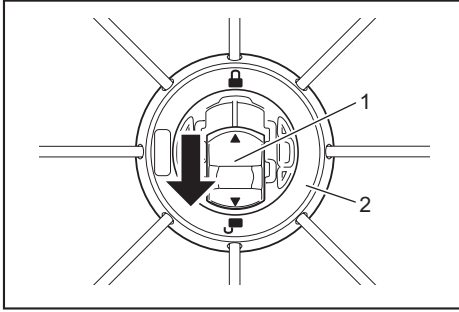
⚠ WARNING

Before attaching the side brushes, make sure that the batteries are removed from the robotic cleaner.

- If a battery is left inserted in the robotic cleaner, electric shock or injury may result.

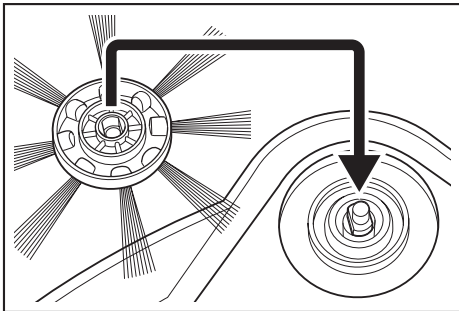
When attaching the side brushes, lay down a mat or something so that the robotic cleaner and the floor surface will not be damaged.


1. Turn the robotic cleaner upside down.
2. Slide the side brush lock lever to  (release mark).

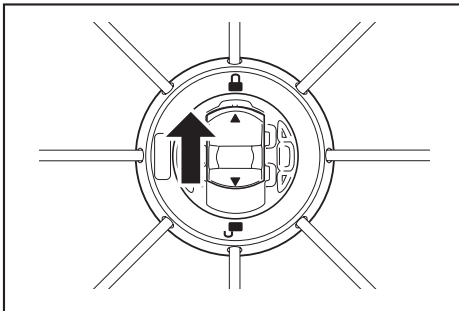


- 1. Lock lever 2. Side brush

3. Attach the side brush so that the shaft on the underside of the robotic cleaner fits the shape of the hole of the side brush.



4. Push the lock lever of the side brush toward  (lock mark) until it clicks. (Push in properly until it reaches the point shown in the drawing.)
- After installation, lift the side brush slightly to see that it does not detach from the robotic cleaner.
 - Attach two side brushes, one on the left and one on the right.

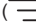


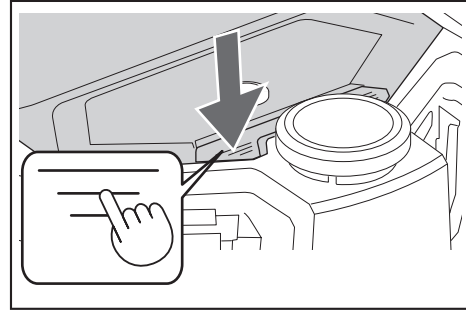
Unpacking the dust box

⚠ WARNING

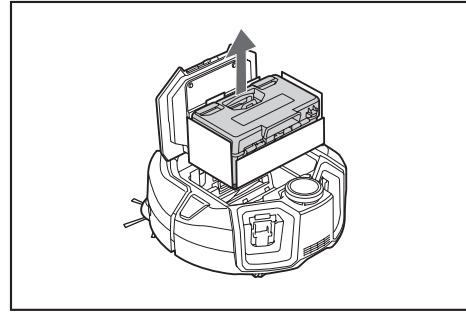
When you open the top cover of the robotic cleaner, make sure that the batteries are removed from the robotic cleaner.

- If a battery is left inserted in the robotic cleaner, electric shock or injury may result.

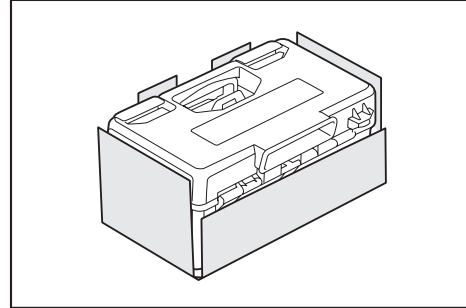
1. Press the open button () to open the top cover. Be careful because the top cover opens quickly.



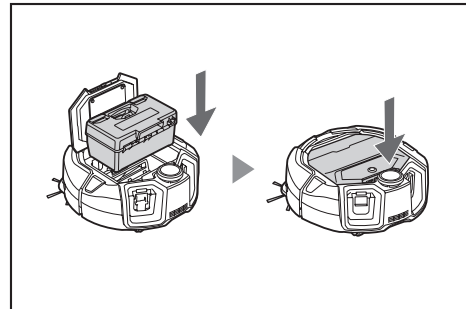
2. Remove the dust box.




3. Remove the packing material.

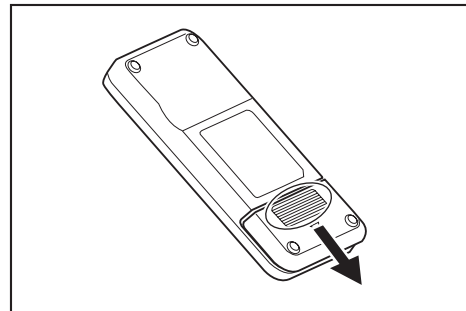


4. Put the dust box back in the robotic cleaner and push the top cover to close until it clicks. When closing the top cover, be careful not to get your fingers caught.

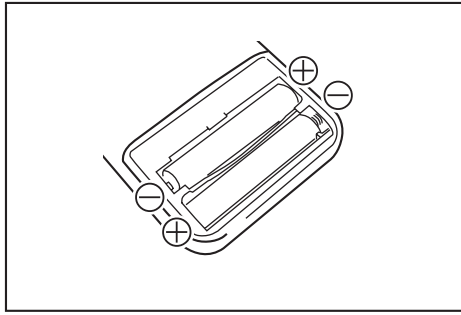


Installing batteries in the remote control

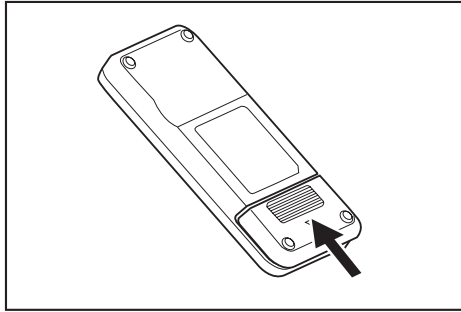
1. While pressing  on the lid of the remote control, slide the lid in the direction shown by the arrow and remove it.



2. Insert the batteries in the correct direction.



3. Attach the lid.

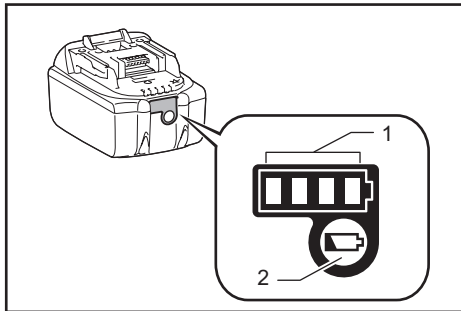


NOTICE

- Be sure to align the polarity of the batteries correctly.
- Two AAA dry batteries are required. The two batteries should be new and of the same type.
- Take out the batteries when you do not use them for a long period of time in order to prevent failure due to liquid leakage and rupture.
- If the solution in a battery gets into your eyes or contacts your skin or clothing, wash it away immediately with clean water.
- Do not subject the remote control to shocks or allow it to get wet with water. Do not place it in a place under direct sunlight or near a space heater, etc. Doing so can cause failure.

Indicating the remaining battery capacity

Only for battery cartridges with the indicator



► 1. Indicator lamps 2. Check button

Press the check button on the battery cartridge to indicate the remaining battery capacity. The indicator lamps light up for a few seconds.

Indicator lamps			Remaining capacity
Lighted	Off	Blinking	
■ ■ ■ ■			75 % to 100 %
■ ■ ■ □			50 % to 75 %
■ ■ □ □			25 % to 50 %
■ □ □ □			0 % to 25 %
▬ □ □ □			Charge the battery.
■ ■ □ □			The battery may have malfunctioned.
□ □ ■ ■			

NOTICE

- Depending on the conditions of use and the ambient temperature, the indication may differ slightly from the actual capacity.
- The first (far left) indicator lamp will blink when the battery protection system works.

Installing and removing batteries (sold separately)

- The robotic cleaner works even with only one battery.
- With two batteries, it can be run for a long period of time.

How to install

WARNING

A battery should be securely inserted as far as it will go. When the red part in the upper section of the button is visible, it means that locking is not complete. Insert a battery fully until the red part becomes invisible.

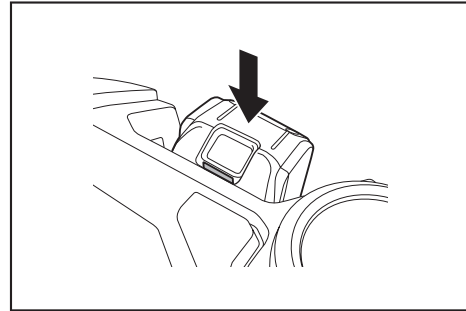
- If the insertion is not sufficient, the battery may come out, causing an accident or failure.

Do not install the battery cartridge forcibly.

- If the cartridge does not slide in easily, it is not being inserted correctly.

Hold the tool and the battery cartridge firmly when installing the battery cartridge.

Insert a battery securely along the groove of the robotic cleaner as far as it will go. As the battery is locked completely, it clicks.



NOTICE

When installing a battery, be careful not to get your fingers caught in between the robotic cleaner and the battery.

How to remove

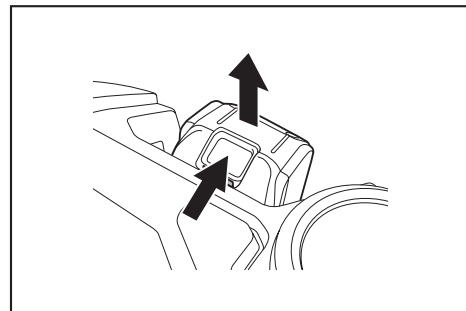
WARNING

When you remove a battery, be sure that the power of the robotic cleaner is off. Do not remove a battery when the robotic cleaner is in the stand-by state. (See "Turning the power on/off" on page 15.)

- Removing a battery with the power on can cause failure.

Hold the tool and the battery cartridge firmly when removing the battery cartridge.

Lift the battery while operating the button of the battery.

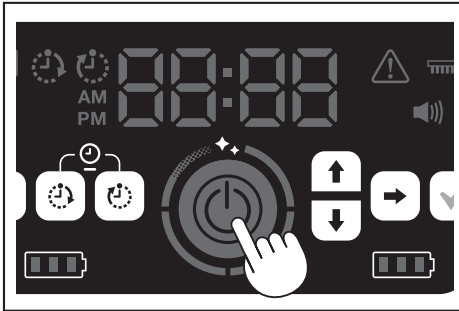


Turning the power on/off

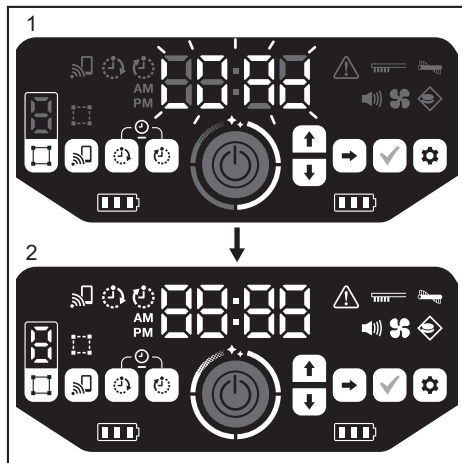
- As the power is turned on, the robotic cleaner enters the stand-by state. In the stand-by state, it is possible to do cleaning, change settings, and establish connection to the app.
- If the robotic cleaner, remote control, or the app have not been operated for approximately 30 minutes in the standby state, the power will shut off. (If the smartphone connection lamp is lit in the above case, the power will not shut off.)
- Turn off the power at the end of operation and at the time of storage.
- When the robotic cleaner is in the sleep state, communication from the app is not possible.
- When the power of the robotic cleaner is off, the robotic cleaner cannot be operated from the remote control or the app.

How to turn on the power

- With the power of the robotic cleaner off, press the start/stop button of the robotic cleaner.



- Wait without operating until the time is displayed. When the robotic cleaner is used for the first time, time setting is necessary first. Set the time of day. (See page 22.)



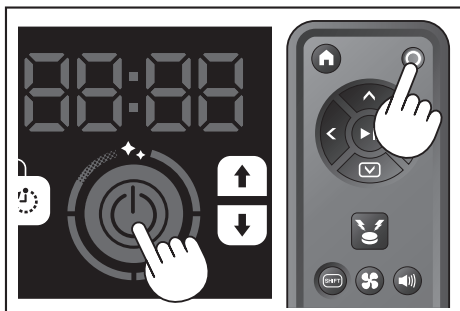
- [LOAD] flashes in the time indicator, and the four clean level lamps turn on and off clockwise. The switching speed of the lamps increases as the startup progresses.
- After all the lamps are lit, the robotic cleaner startup is complete (standby state).

How to turn off the power

Hold down the start/stop button of the robotic cleaner, or press the power OFF button of the remote control.

As the power is turned off completely, the display and lamps of the robotic cleaner turn off. Therefore, wait without removing the batteries.

When finished using the robotic cleaner, or when storing it, turn off the power and remove the batteries.



NOTICE

Do not remove the batteries before the power is turned off completely (before the display and lamps turn off). The saved map information and cleaning history may be deleted.

How to read the battery power lamp of the robotic cleaner

State of the battery power lamp	Remaining battery capacity
	About 60 % or more
	About 20 to 60 %
	Less than about 20 %
	No remaining capacity No battery installed

The remaining capacity is a rough indication and can vary depending on the operating conditions, room temperature, battery type, and battery power consumption, etc.

What to set up before cleaning

Before cleaning, make settings for the robotic cleaner as required.

Switching the vacuum fan on/off

In the case of cleaning of visible large dust only, turning off the vacuum fan allows the running time to be longer. For how to switch the vacuum fan on/off, refer to page 18.

Switching the sound setting on/off

When the sound setting of the robotic cleaner is off, the robotic cleaner cleans silently. (See page 22.)

Setting the boundary-sensing feature

With the boundary-sensing feature on, the robotic cleaner recognizes magnetic boundary line set up on a floor surface. Magnetic boundary line serves as a boundary line, and the robotic cleaner does not go beyond the magnetic boundary line; that is, the running area can be limited. For how to set the boundary-sensing feature, refer to page 20.

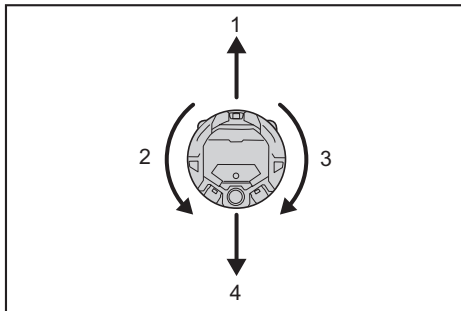
How To Use

Cleaning

- The robotic cleaner works in three ways:
 - free cleaning mode, which does not require map registration,
 - mapping cleaning mode (see "Cleaning a room with mapping" on this page), which requires room information to be registered for cleaning, and
 - manual operation using the remote control.
- Free cleaning mode is recommended for cleaning in various rooms or in an environment that involves frequent, significant layout changes.
- For a room that cannot be adequately lighted at the time of mapping, use free cleaning mode.
- If the remaining battery charge of the robotic cleaner gets low, the robotic cleaner suspends cleaning and returns to the location cleaning started.

Cleaning a room with the remote control

The robotic cleaner can be operated for cleaning by pressing the action buttons of the remote control.



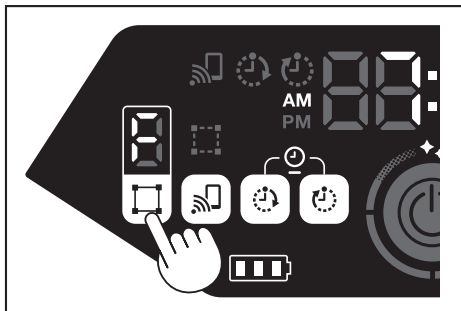
1. Move forward: Press
2. Turn left: Press
3. Turn right: Press
4. Move backward: While holding down , press

NOTICE

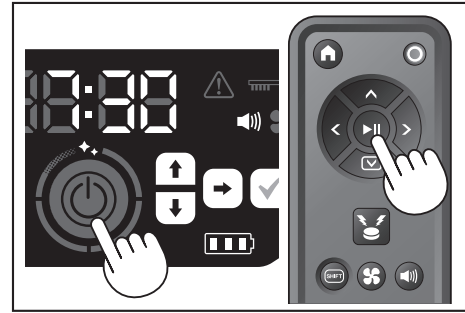
- Do not operate the robotic cleaner in a narrow or uneven place.
- When operating the robotic cleaner with the remote control, be careful to avoid collisions or falls.
- If there is an obstacle in front of the moving robotic cleaner, the robotic cleaner reverses to avoid it.

Cleaning a room without mapping (free cleaning mode)

1. Place the robotic cleaner beside a wall of the place that you want to clean.
2. Put the robotic cleaner into the stand-by state. (See page 15.)
3. Press the mode switch button to select [F] (free cleaning mode). Each time the mode switch button is pressed, the displayed character is changed in the order "F, 1, 2, 3, 4, 5, F, ..." (each number represents a room number).



4. As the start/stop button is pressed, the robotic cleaner produces a sound and starts cleaning. (When the sound setting is on)



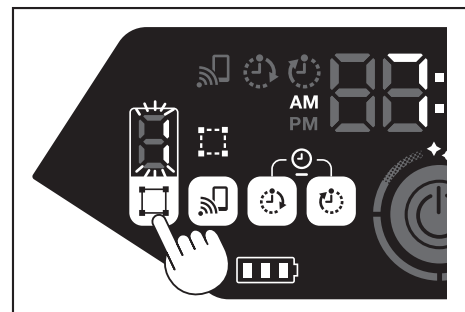
5. As the robotic cleaner determines that cleaning is finished, the robotic cleaner returns back to the place from which it started cleaning.
 - When the sound setting is on, completion of cleaning is informed with a sound. (See page 22.)
 - The robotic cleaner calculates its own position using the LiDAR sensor and camera sensor. For the camera sensor to function fully, it is recommended to make the room brighter for cleaning. If the room is dark, the robotic cleaner may not be able to clean some area or may fail to return back to the place from which it started cleaning.

Cleaning a room with mapping

Registering room information (mapping)

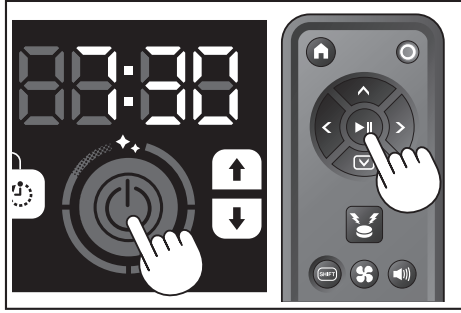
- When the rooms to clean are already determined, registering room information (registration of mapping information) in the robotic cleaner allows the cleaning to be more efficient. After completion of mapping, it becomes possible to check the cleaning result and set prohibited areas from the app.
- The number of rooms that can be registered is five.
- Make the room brighter during mapping.
- Keep away from the robotic cleaner during mapping.
- Do not pick up the robotic cleaner during mapping.
- The mapping fails if there are no obstacles with a height of 25 cm (9-7/8") or more within a radius of about 11 m (36.09 ft) of the robotic cleaner. In this case, cleaning in free cleaning mode is recommended. (See "Cleaning a room without mapping (free cleaning mode)" on this page)

1. Place the robotic cleaner in the place from which you want the robotic cleaner to start cleaning.
 - This starting location will be a location for cleaning to start.
 - It is recommended to set the starting location near a wall, a corner of the room, or other point that is easy to identify.
 - Keep a distance of about 30 cm (11-3/4") from a wall.
2. Put the robotic cleaner into the stand-by state. (See page 15.)
3. Select an unmapped room number by pressing the mode switch button.
 - [F] is free cleaning mode. (See "Cleaning a room without mapping (free cleaning mode)" on this page.)
 - Unmapped room numbers will be displayed blinking, and the room register lamp will be on.
 - Mapped room numbers will be displayed lit, and the room register lamp will be off.



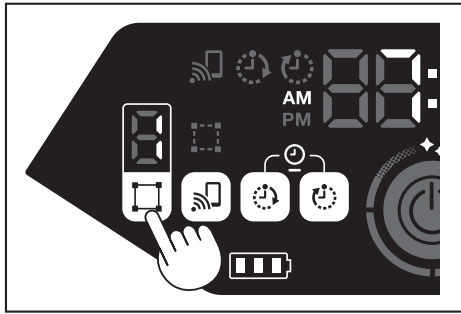
4. As the start/stop button is pressed, the robotic cleaner starts mapping. After mapping, the robotic cleaner goes back to where mapping began (starting point of cleaning) and then completes room registration.
 - Upon completion of mapping, the robotic cleaner enters the stand-by state. It may take time for the robot cleaner to enter the stand-by state. Do not turn off the power in this case.
 - When the sound setting is on, completion of mapping is informed with a sound.

- If the mapping is unsuccessful, add the mapping information manually using the app. (See page 39.)

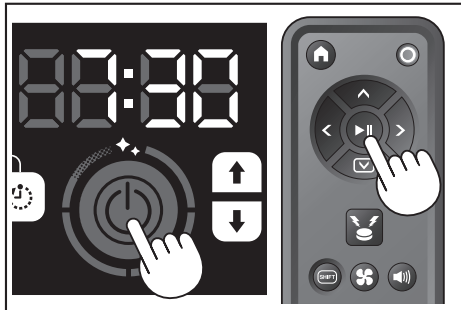


Cleaning mapped rooms

- In mapping cleaning mode, the robotic cleaner works so that mapped rooms are cleaned more efficiently.
 - The use of mapping cleaning mode requires mapping information to be registered. (See "Cleaning a room with mapping" on page 16.)
1. Place the robotic cleaner at the starting point for mapping. Place the robotic cleaner with the same orientation as at the start of mapping as much as possible. This allows the robotic cleaner to start cleaning more smoothly.
 2. Put the robotic cleaner into the stand-by state. (See page 15.)
 3. Select a mapped room number by pressing the mode switch button.
 - [F] is free cleaning mode. (See page 16.)
 - Unmapped room numbers will be displayed blinking, and the room register lamp will be on.
 - Mapped room numbers will be displayed lit, and the room register lamp will be off.



4. Press the start/stop button to begin cleaning.



5. As cleaning ends, the robotic cleaner goes back to where it started cleaning.
 - The clean level lamp indicates what proportion of the whole room has been cleaned.
 - When the sound setting is on, completion of cleaning is informed with a sound. (See page 22.)
 - If the target cleaning area is too wide to clean all at once, we recommend using the [Continuous Cleaning] setting. (See page 42.)

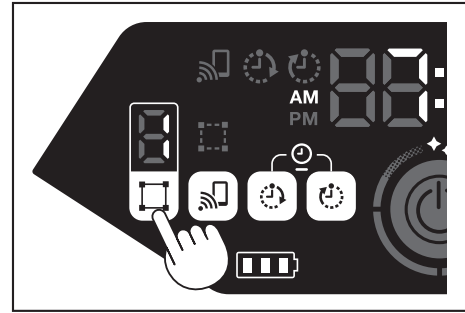
How to read the clean level lamp

The clean level lamp informs you of the percentage cleaned area in the surface area of the mapped room.

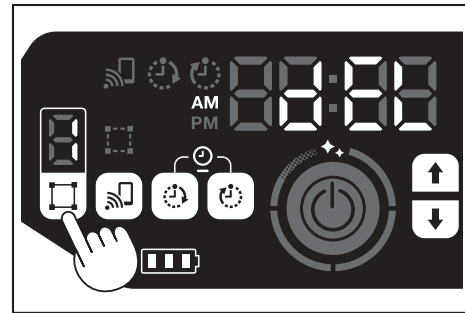
Clean level lamp status	Percentage of completed cleaning area
	90 % or more
	75 % to less than 90 %
	50 % to less than 75 %
	25 % to less than 50 %

Deleting mapping information

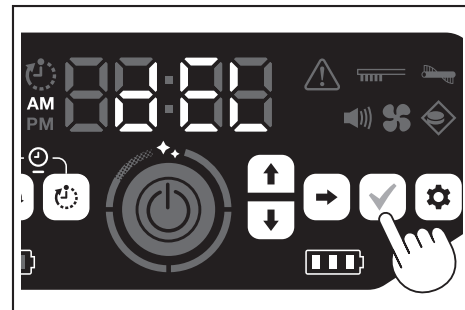
1. Put the robotic cleaner into the stand-by state. (See page 15.)
2. Select the room number for which you want to delete mapping information by pressing the mode switch button.
 - Each time the mode switch button is pressed, the room number is changed in the order "F, 1, 2, 3, 4, 5, F, ...". (For [F], deletion of mapping information is not possible since [F] is free cleaning mode.)
 - A mapped room number will illuminate on the display.



3. When the mode switch button is held down, [dEL] is shown for about 10 seconds in the time indicator.



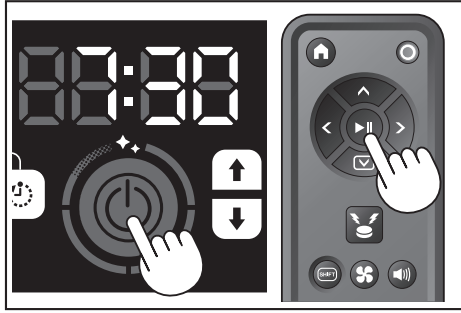
4. Press the confirmation button while [dEL] is shown.



- If the confirmation button is not pressed while [dEL] is shown, the robotic cleaner goes back to the stand-by state.
- When mapping information is deleted, the selected room number will blink and become unregistered.

Suspending or ending cleaning

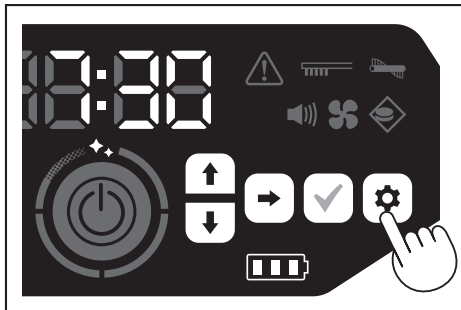
1. If the start/stop button is pressed during operation, the robotic cleaner comes to a temporary stop.
If the start/stop button is pressed again, the robotic cleaner starts operating again in the same operating mode as before stopping.



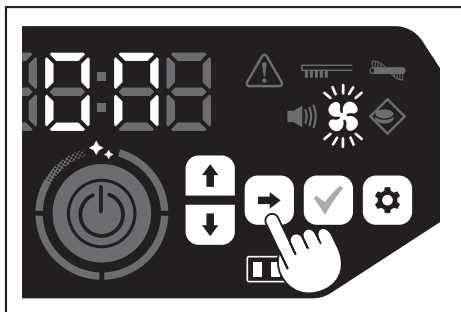
2. To quit cleaning during cleaning, press the starting point button of the remote control when the robotic cleaner is in operation or in a temporarily stopped state. The robotic cleaner goes back to where it started cleaning and then enters the stand-by state.
 - To quit cleaning immediately, press the mode switch button while the robotic cleaner is in a temporarily stopped state. Then, the robotic cleaner enters the stand-by state.
 - When cleaning is ended without going back to the starting point, the cleaning history may not be saved correctly.

Switching the vacuum fan on/off

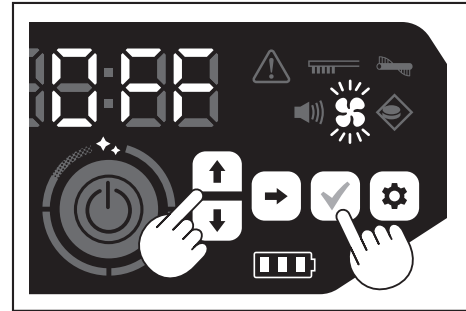
- When cleaning visible, large dust only, turning off the vacuum fan makes the running time about twice as long.
 - The vacuum fan can be set also from the remote control or the app. (See "Switching the vacuum fan on/off" on this page and "Operating the robotic cleaner with the app" on page 36.)
1. With the robotic cleaner set in the stand-by state, press the setting button to enter the setting selection mode.



2. Press the next button to make the vacuum fan lamp blink.



3. The up/down button can be used to switch between On and Off. After selecting On or Off, press the confirmation button to finalize the setting.
 - On: Vacuum fan lamp turns on.
 - Off: Vacuum fan lamp turns off.



NOTICE

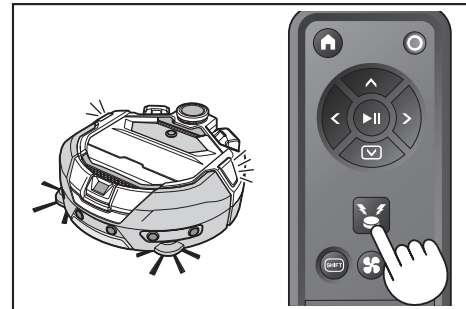
With the vacuum fan setting off, the filter care lamp does not light up even when the filter is clogged.

Switching the vacuum fan on/off with the remote control

With the robotic cleaner set in the stand-by state, the vacuum fan can be switched on or off by pressing the vacuum fan ON/OFF button of the remote control. Even during cleaning, the fan can be switched on or off from the remote control.

Using the location beacon function

- The robotic cleaner notifies of its own location with a buzzer sound and light. This function is used when the robotic cleaner cannot be found because it is cleaning a wide area or has entered a place where it cannot be found.
- As the location beacon buzzer/light button of the remote control is pressed, a buzzer sounds for about 10 seconds, with the position LED blinking.
- To stop the location beacon function halfway, press the location beacon buzzer/light button again.



NOTICE

- The location beacon function cannot be used in the following cases.
 - When the power of the robotic cleaner is off.
 - When no battery capacity remains.
 - When the robotic cleaner is in a position where radio waves do not reach.
 - When the battery in the remote control is exhausted.
- Although the location beacon function can be used also from the app, your smartphone and the robotic cleaner must be connected in advance. When the robotic cleaner is in the sleep state, the function cannot be used from the app.

Using the ON timer/OFF timer

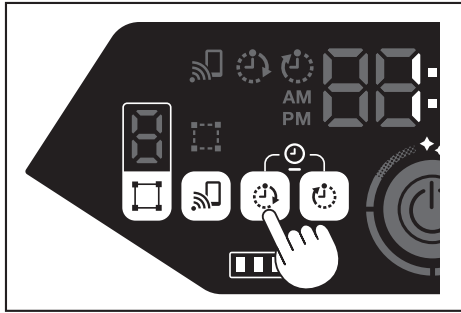
The ON timer and OFF timer can be used at the same time.

Setting the ON timer

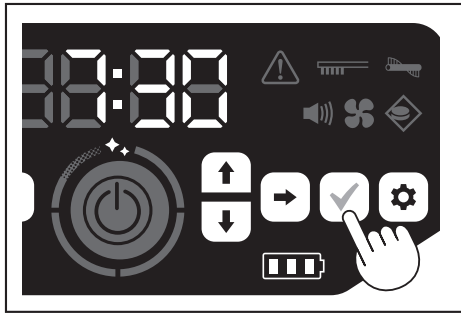
When a preselected time comes, the robotic cleaner starts cleaning in the selected cleaning mode. Before setting the timer, set the time of day. (See page 22.)

1. Put the robotic cleaner into the stand-by state. (See page 15.)

- Hold down the ON timer button to change the time setting of the ON timer.
 - The changing procedure is the same as the time setting procedure (See page 22).
 - The ON timer can be configured in increments of 10 minutes.

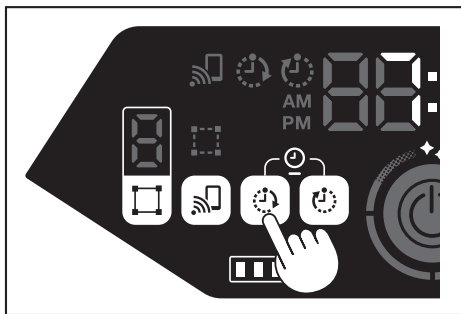


- Press the confirmation button to finalize the time of day.

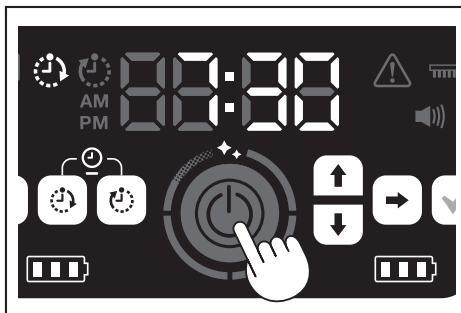


Using the ON timer

- Press the ON timer button to enable the ON timer function. The ON timer lamp lights up and the setting time blinks twice.
 - To cancel the ON timer function, press the ON timer button again to turn off the ON timer lamp.



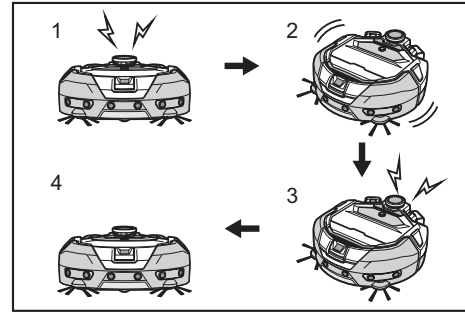
- Select the operating mode of the robotic cleaner. (See pages 16 and 17.)
 - As the start/stop button is pressed, cleaning by the ON timer function is reserved. (Sleep state)
- To cancel the ON timer function in the sleep state, press the start/stop button again to put the robotic cleaner into the stand-by state. To see the setting time after reservation, press any button except the start/stop button. Then, the setting time will light up for 3 seconds.



NOTICE

- The reserved information is canceled when the power is turned off or the remaining battery capacity is completely lost.
- When the batteries are low, the robotic cleaner cannot wait for operation by ON timer reservation. For operation by ON timer reservation, it is recommended to bring the batteries to full charge.
- Operation by ON timer reservation is not possible when the power is turned off.
- When the ON timer is set, the operatable time will be somewhat reduced because the robotic cleaner consumes the battery during the sleep state.

- Example of use: Make the robotic cleaner clean automatically in the morning. (Set the ON timer at 7:30. and the OFF timer at 9:00.)



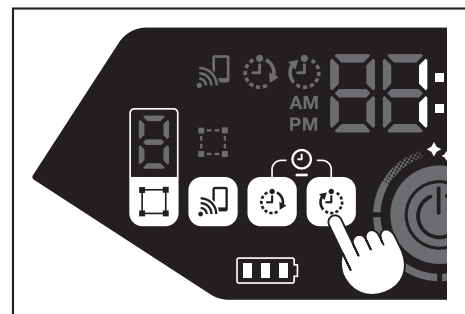
- Starts up at 7:30. (ON timer)
- Cleaning
- Finishes cleaning at 9:00. (OFF timer)
- Returns to the starting point.

- During adjustment of the hours/minutes, holding down the up/down button results in the hours/minutes changing quickly.
- When the time setting of the timer is already completed, you only have to follow the procedure for "Using the ON timer" on this page.

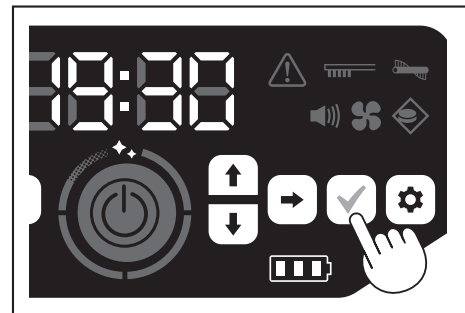
Setting the OFF timer

As a preselected time comes after the start of cleaning, the robotic cleaner ends cleaning and goes back to the starting point. Before setting the timer, set the time of day. (See page 22.)

- Put the robotic cleaner into the stand-by state. (See page 15.)
- Hold down the OFF timer button to change the time setting of the OFF timer.
 - The changing procedure is the same as the time setting procedure. (See page 22.)
 - The OFF timer can be configured in increments of 10 minutes.



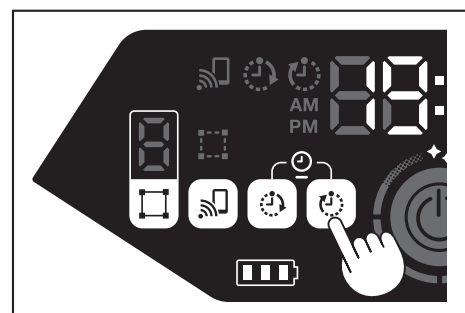
- Press the confirmation button to finalize the time of day.



Using the OFF timer

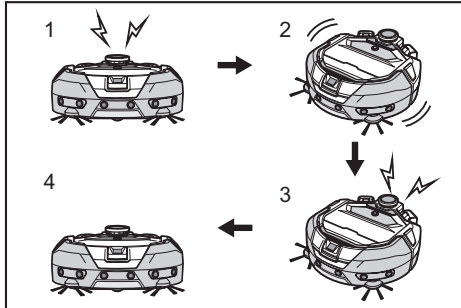
Press the OFF timer button to enable the OFF timer function. The OFF timer lamp lights up and the setting time blinks twice.

- To immediately start cleaning and use the OFF timer, select the cleaning mode and start cleaning.
- To use the OFF timer in combination with the ON timer, refer to page 18.
- To cancel the OFF timer, press the OFF timer button again when the robotic cleaner is in the stand-by state.



NOTICE

- The OFF timer setting is disabled when the power is turned off or the remaining battery capacity is completely lost.
- When the remaining battery capacity is low, the robotic cleaner may stop operating before the setting time of the OFF timer.
- Depending on the cleaning environment, it can take time for the robotic cleaner to return back to the starting point. In this case, set an earlier time for the OFF timer.
- Example of use: Make the robotic cleaner clean automatically only for 30 minutes in the evening. (Set the ON timer at 19:00. and the OFF timer at 19:30.)



- ▶ 1. Starts up at 19:00. (ON timer) 2. Cleaning 3. Finishes cleaning at 19:30. (OFF timer) 4. Returns to the starting point.
- When adjusting the hours/minutes, holding down the up/down button results in the hours/minutes changing quickly.
- When the time setting of the timer is already completed, you only have to follow the procedure for "Using the OFF timer" on page 19.

Controlling the cleaning range

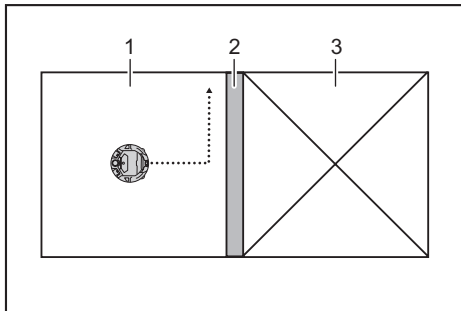
⚠ WARNING

Do not use magnetic boundary line as a boundary line of an area where an accident can possibly happen due to intrusion or fall.

- Doing so can cause an accident or injury due to intrusion or fall of the robotic cleaner.

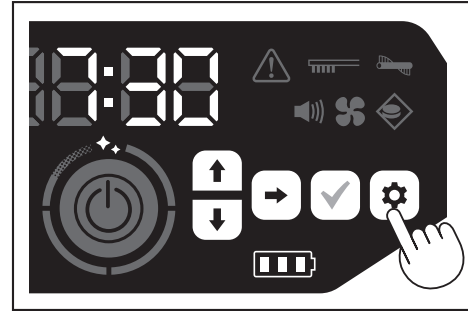
For an area with a risk of intrusion or fall of the robotic cleaner, place an object serving as a wall with a height of 25 cm (9-7/8") or more (an object that does not move or fall over when hit by the robotic cleaner) on a flat surface.

- The cleaning range can be limited by attaching magnetic boundary line (sold separately) on a floor surface to make a boundary line. The robotic cleaner detects and avoids magnetic boundary line.
- Set the cleaning range for the robotic cleaner in the following cases.

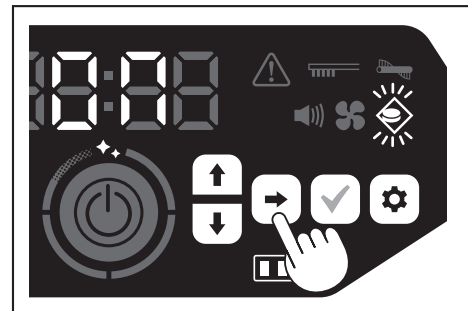


- ▶ 1. Cleaning area 2. Magnetic boundary line 3. Area in which you do not want the robotic cleaner to run
 - When you want to divide a space that is too large to clean at one time into multiple areas for cleaning.
 - When there is an area that you do not want the robotic cleaner to enter.
 - When there is an area that the robotic cleaner can enter but cannot leave.
 - When the robotic cleaner climbs over a low step but falls from it.
 - When the robotic cleaner gets caught in the middle of a step.
1. Lay magnetic boundary line with the following points in mind.
 - Be sure to lay the magnetic boundary line without any gap between it and the floor surface.
 - Lay the magnetic boundary line about 15 cm (5-7/8") away from the area that you do not want the robotic cleaner to enter.
 - Place the magnetic boundary line on a floor surface that is as flat as possible so that it does not become unsteady. Not doing so can cause the robotic cleaner to displace the line and fail to recognize the line correctly.
 - The robotic cleaner may not recognize a magnetic boundary line placed on a concave or stepped surface.

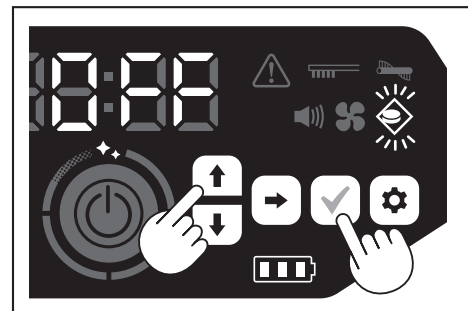
- Make sure that the magnetic boundary line is a genuine product. If it is not a genuine product, performance and safety cannot be guaranteed.
 - Some floor surfaces may become dirty. Check the suitability properly before use.
 - Depending on the floor surface and operating environment, the magnet sensor for boundary sensing is likely to fail to recognize magnetic boundary line, or magnetic boundary line is likely to become dirty or torn. Check the suitability properly before use.
2. With the robotic cleaner set in the stand-by state, press the setting button to enter the setting selection mode.



3. Press the next button to make the boundary-sensing lamp blink.



4. The up/down button can be used to switch between On and Off. After selecting On or Off, press the confirmation button to finalize the setting.
 - On: Boundary-sensing lamp turns on.
 - Off: Boundary-sensing lamp turns off.



NOTICE

- The boundary-sensing feature is based on recognition of magnetic boundary line by a magnetic sensor. If there is tearing, lifting, etc. on the magnetic boundary line, the line may not be recognized.
- Periodically check for tears, positional deviation, and other problems of magnetic boundary line. If there is a problem such as tears, replace the line with new line.
- The boundary-sensing feature may activate near a magnetic object. When you do not want the boundary-sensing feature to work, disable the boundary-sensing feature.
- In a place where people and things come and go frequently, magnetic boundary line is stepped on and damaged. If the line deteriorates, replace it with a new line.
- Depending on the floor material, it is recommend to paste the magnetic boundary line onto the floor because the robotic cleaner may move the magnetic boundary line when detecting it.
- The magnetic boundary line can be cut with scissors.

How to attach, remove, and use separately sold items

Refer to the pages listed below for how to attach, remove, and use separately sold items.

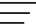
Separately sold items	Reference page	Remarks
Magnetic boundary line	20	–
Main brush Soft main brush	25	The handling procedure is the same as for the supplied main brush.
HEPA filter	24	Same as the supplied HEPA filter.
Side brush Soft side brush	25	The handling procedure is the same as for the supplied side brushes.
Battery	14	–
Main brush cover	25	Same as the supplied main brush cover.
Bumper cushion	–	An anti-scratch cushion to be attached to the robotic cleaner to protect the objects.

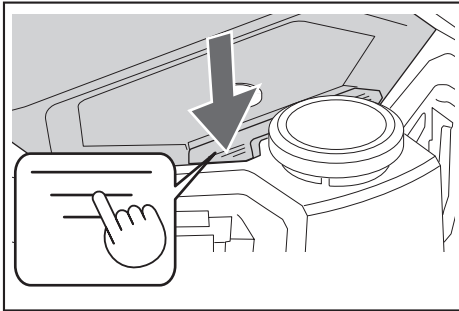
How to dispose of garbage

⚠ WARNING

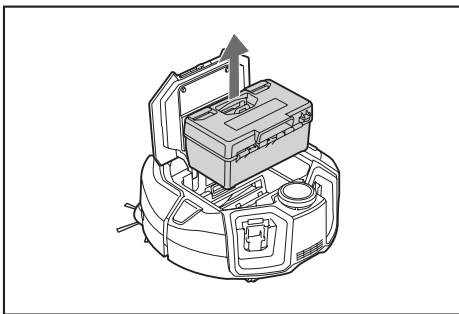
Be sure to turn off the power and remove the batteries from the robotic cleaner before opening the top cover of the robotic cleaner.

- If a battery is left inserted in the robotic cleaner, electric shock or injury may result.

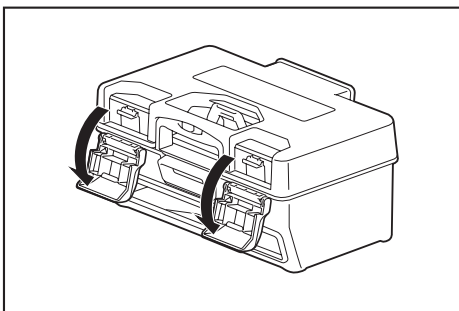
1. Pressing the open button () opens the top cover. Be careful because the top cover opens quickly.



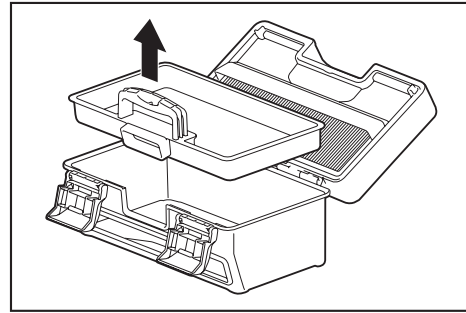
2. Remove the dust box. Do not hold the dust box with its opening facing downward. Doing so can cause dust to fall from the opening.



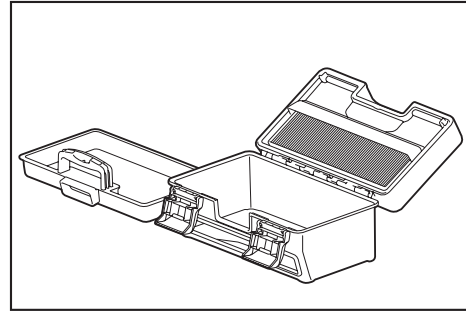
3. Release the two locked parts to open the top cover.



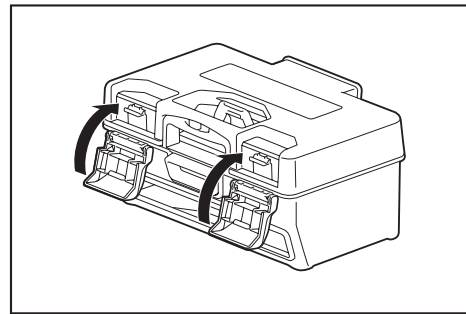
4. Take out the dust case. Be careful not to open the top cover on the filter side.



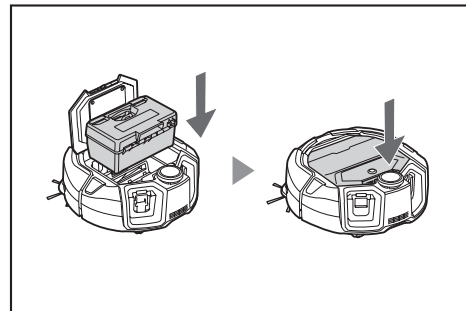
5. Dispose of garbage in the dust case and dust box, then remove dirt and dust in the filter. If the filter is too dirty, remove the filter and wash it with water. (See page 24.)



6. Put the dust case back in the dust box. Then, close the top cover and lock the two locking parts.



7. Put the dust box back in the robotic cleaner and push the top cover to close until it clicks. When closing the top cover, be careful not to get your fingers caught.



NOTICE

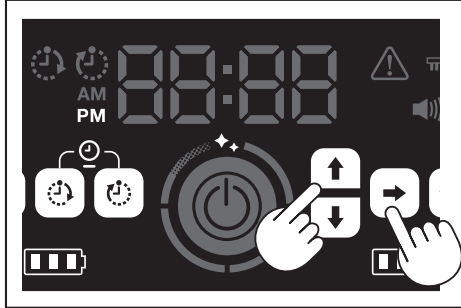
- At the end of every cleaning, discard the garbage and care for the filter. If you continue cleaning without discarding garbage, the filter will get clogged and the suction power decreases.
- Correctly attach the dust box and the filter.

Setting the Robotic Cleaner

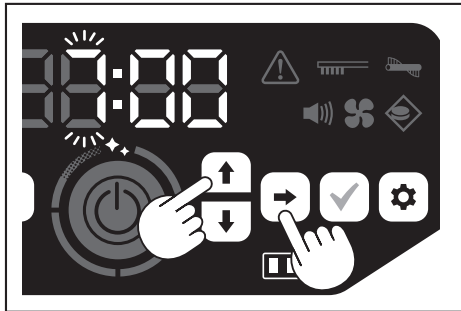
Setting the time of day

When using for the first time, start by setting the time of day.

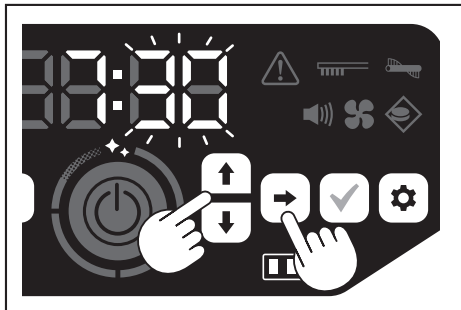
1. Using the up/down buttons, select the display format from [AM], [PM], or no distinction (in 24-hour notation), then press the next button to accept the selection.
As the next button is pressed, the hours will blink.



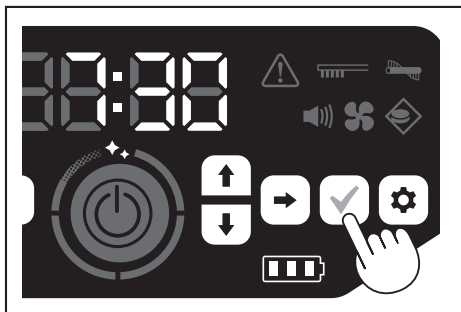
2. Select the hours using the up/down buttons, then press the next button to accept the selection.
As the next button is pressed, the minutes will blink.



3. Select the minutes using the up/down buttons, then press the next button to accept the selection.



4. Press the confirmation button to finalize the time of day.



NOTICE

- During adjustment of the hours/minutes, holding down the up/down button results in the hours/minutes changing quickly.
- When the robotic cleaner is not used for a long period of time, the time setting may become inaccurate due to the storage temperature or may be reset if the built-in battery power loses its charge.

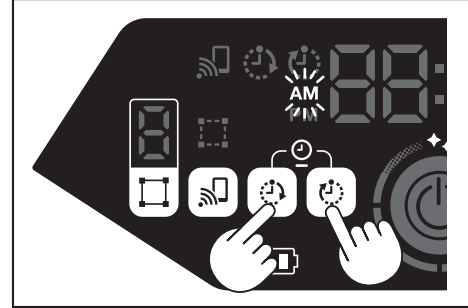
Setting the time of day again

When the robotic cleaner is not used for a long period of time, the time setting will be inaccurate or reset.

When you connect the robotic cleaner to a smartphone using the app, the time of day on the smartphone is automatically set on the robotic cleaner.

If you want to set the time of day manually, perform the following procedure.

1. Put the robotic cleaner into the stand-by state. (See page 15.)
2. Hold down the ON timer button and OFF timer button simultaneously to make the time format [AM] or [PM] blink (does not blink when the previous setting was 24-hour notation).



3. Set the time of day by following the "Setting the time of day" on this page from step 1.

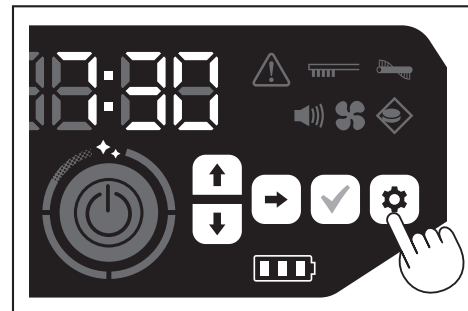
Setting up Wi-Fi® (robotic cleaner and smartphone)

- To operate the robotic cleaner from the app, make Wi-Fi® settings for the app and robotic cleaner. (See page 33.)
- Install the app in your smartphone in advance.
- The robotic cleaner serves as the access point for the smartphone. When a smartphone is connected to the robotic cleaner, the smartphone will not be connected to any network other than the robotic cleaner.
- To connect a smartphone to the robotic cleaner, press the smartphone connection button to enable the Wi-Fi.
- When not using Wi-Fi, press the smartphone connection button to turn off the smartphone connection lamp.
- Multiple robotic cleaner can be managed with one app. In this case, establish wireless connection with the app one by one.

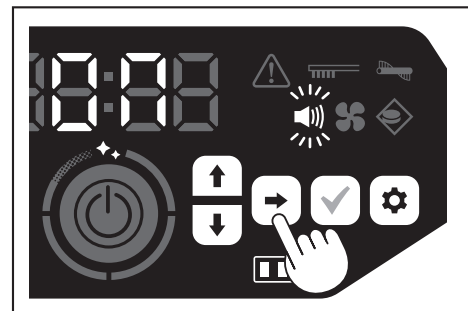
Making a sound setting

- You can select whether the robotic cleaner makes sounds or not.
- This sound setting is also possible from the remote control.

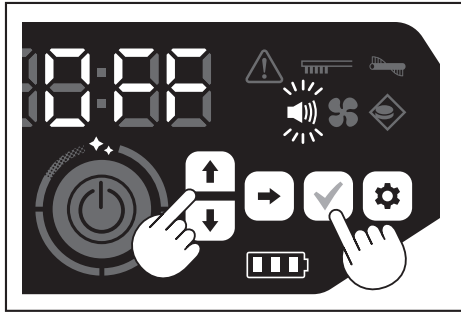
1. With the robotic cleaner set in the stand-by state, press the setting button to enter the setting selection mode.



2. Press the next button to make the sound lamp blink.



- The up/down buttons can be used to switch between On and Off. After selecting On or Off, press the confirmation button to finalize the selection.
 - On: Sound lamp turns on (sound enabled).
 - Off: Sound lamp turns off (sound disabled).



NOTICE

Even if the sound setting is off, the robotic cleaner can sound to notify of an error, etc.

Switching the sound setting on and off with the remote control

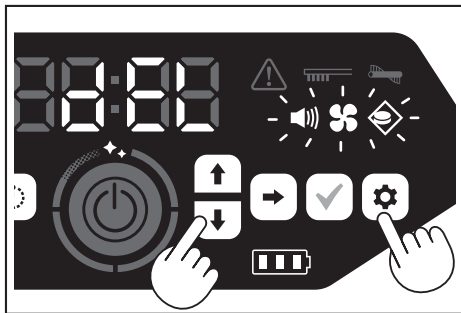
With the robotic cleaner set in the stand-by state, pressing the sound ON/OFF button of the remote control allows the sound setting to be switched between on and off.

The sound setting can be switched on and off even during cleaning if it is set from the remote control.

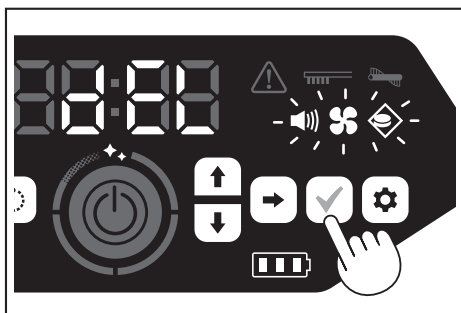
Resetting the settings

You can reset the settings of the robotic cleaner to the factory defaults.

- Put the robotic cleaner into the stand-by state. (See page 15.)
- Hold down the down button and the setting button. [dEL] is displayed on the time indicator, and the icons and lamps other than the error lamp blink.



- Press the confirmation button while [dEL] is displayed (about 10 seconds).
 - If the confirmation button is not pressed while [dEL] is displayed, the robotic cleaner goes back to the stand-by state.
 - When the robotic cleaner is executing the reset process, the icons and lamps other than the battery power lamp turn off. Although the robotic cleaner will not work at this time even if you press the buttons on the operation panel, do not touch the buttons. In addition, do not remove the batteries.

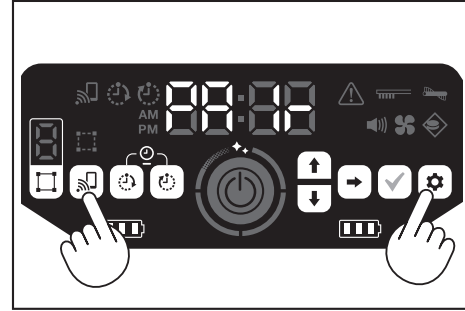


- Upon completion of the reset process, a restart is performed and then the time-of-day setting screen appears.

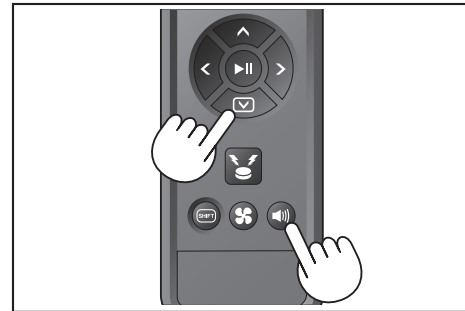
Pairing the robotic cleaner and the remote control

When the remote control is replaced with a new one, establish a pairing of the robotic cleaner and the remote control.

- Hold down the smartphone connection button and the setting button simultaneously to make [PAIr] appear on the time indicator. [PAIr] is displayed for 10 seconds.



- During the period when [PAIr] is displayed, simultaneously press the action button (down) and the sound ON/OFF button of the remote control. When pairing is successful, the robotic cleaner issues two short beeps and returns to the standby state.



NOTICE

- If pairing fails, an error sound is made.
- If the robotic cleaner cannot receive a signal from the remote control during the period when [PAIr] is displayed, the robotic cleaner goes back to the stand-by state.

Care

⚠ WARNING

Be sure to turn off the power and remove the batteries from the robotic cleaner before caring for the robotic cleaner.

- If a battery is left inserted in the robotic cleaner, electric shock or injury may result.

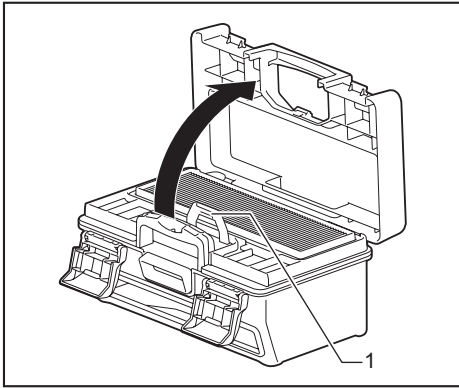
⚠ CAUTION

To keep optimum performance, periodically perform the maintenance mentioned in this section. If there is a problem, stop using the robotic cleaner and ask the shop from which you made a purchase or our sales office to do inspection and repair.

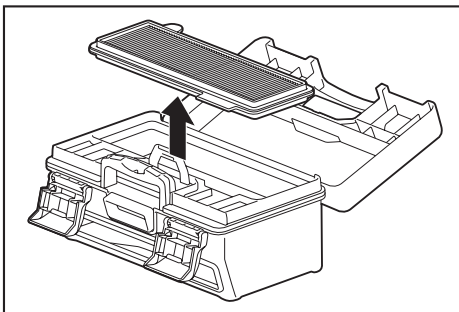
Maintenance

Caring for and replacing the dust box and the filter

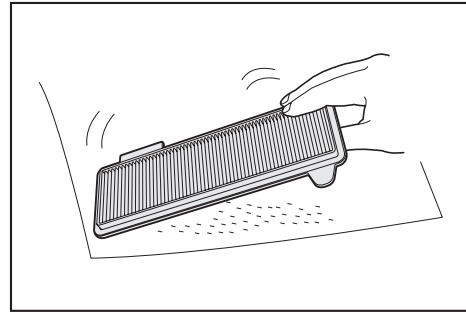
- When the suction power of the robotic cleaner goes down, when the dirt is noticeable, or when the filter care lamp lights up, remove the filter and wash it with water.
 - Lay down newspaper or something before caring.
 - Do not use chemicals or hot water with a temperature of 40 °C (104 °F) or more.
1. Dispose of garbage following steps 1 to 5 of "How to dispose of garbage". (See page 21).
 2. Put the dust case back in the dust box and close the top cover of the dust box.
 3. Unhook the hook and open the filter-side top cover.



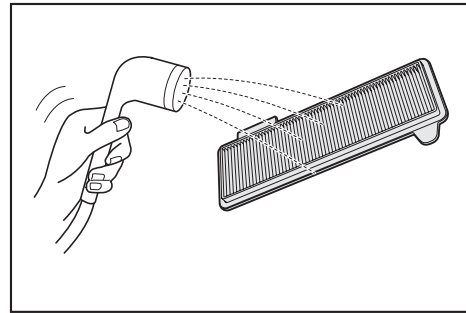
- ▶ 1. Hook
4. Remove the filter from the dust box.
When removing the filter, do so slowly to avoid raising dust.



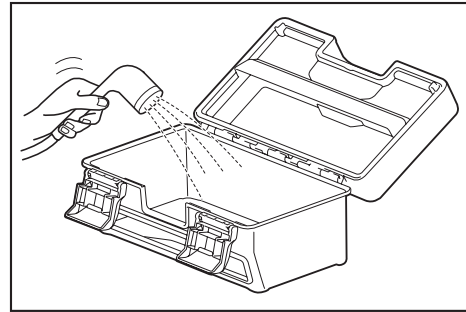
5. Let dirt and dust fall with light taps on the filter.
 - Do not scrub the filter hard or press it down with fingers.
 - Do not use a sharp-pointed object (such as a toothpick), which can be a cause of breakage.



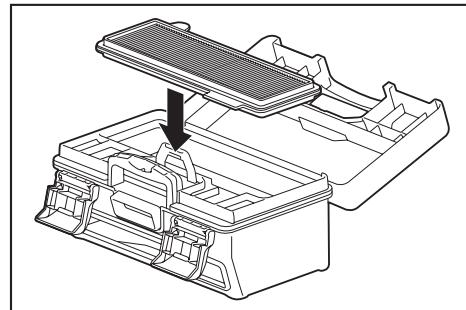
6. When the suction power of the robotic cleaner is weak, wash the filter with water.
If the smell bothers you, let the filter stand in diluted neutral detergent for about three hours and then wash it with water.



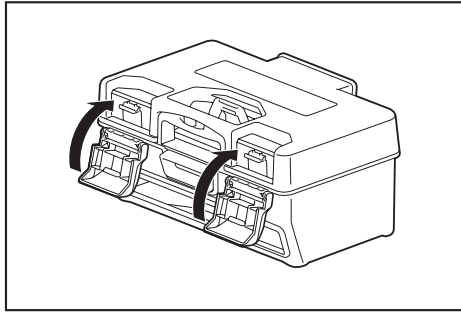
7. When the dirt of the dust box is noticeable, wash it with water or diluted neutral detergent.



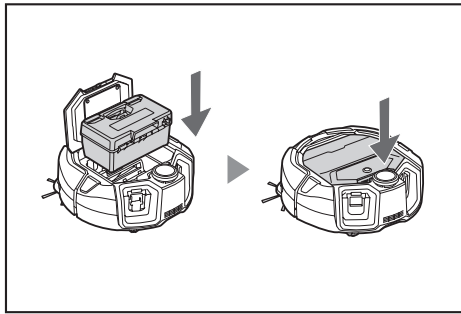
8. When you have washed the filter or the dust box with water, dry it sufficiently in a well-ventilated place out of direct sunlight.
 - Using parts without drying them properly may cause a reduction in suction power, as well as a reduction in motor life.
 - Using parts while moisture remains on them may cause an odor or failure.
 - The drying time should be about one day.
 - Avoid drying with a dryer, a blower, etc.
9. Attach the filter to the dust box.



- Close the filter-side top cover and make sure that the hook is hooked. Then, lock the two locking parts.



- Put the dust box back in the robotic cleaner and push the top cover to close until it clicks. When closing the top cover, be careful not to get your fingers caught.

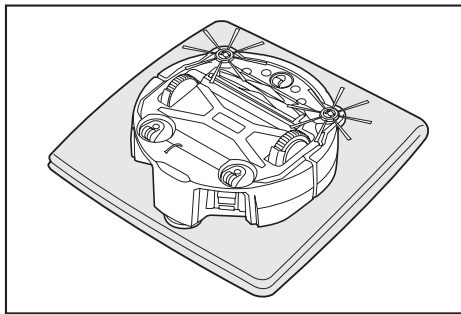


NOTICE

- Do not use the robotic cleaner with the filter removed. Do not use the robotic cleaner with the filter damaged or dirty.
- The filter can be washed with water. Wash away the dust with water at regular intervals (every one to two months).
- When the filter deteriorates, replace it with a new filter.
- The filter is a consumable and thus it is recommended to prepare a spare.
- Do not damage the filter by scouring it with a hard object such as a brush or a spatula.
- Do not clean the HEPA filter with an air blower or a pressure washer because it is easily damaged.

Precautions to take when caring for the underside of the robotic cleaner

- Take out the dust box before performing maintenance. (See page 21.) Not doing so can cause dust to fall from the opening.
- Turn the robotic cleaner upside down before caring for the side brushes, main brush, underside of the robotic cleaner, and wheels.
- During maintenance, lay a thick mat or something so that the robotic cleaner and the floor surface are not damaged and so that the LiDAR sensor is not subjected to pressure.




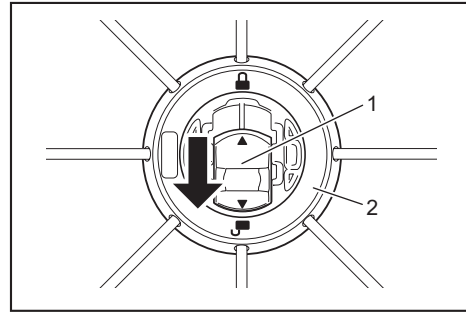
- Do not press the undersurface of the robotic cleaner hard with the robotic cleaner turned upside down. Pressing it hard can cause damage to the robotic cleaner.

Caring for and replacing the side brushes

- If an error indication (see page 28) is made, or dust and hair are caught in a side brush, care for the side brush.
- When the bristles of a side brush are bent or fall out, replace it with a new one.
- When a side brush does not rotate or is hard to rotate, remove the side brush and then care for it.

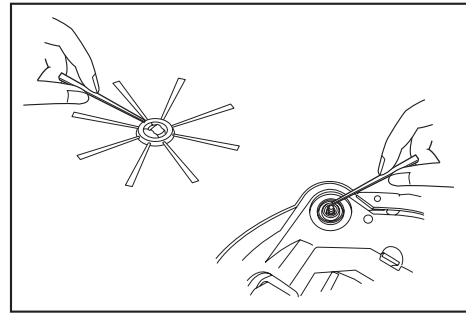
- Turn the robotic cleaner upside down on a mat, etc.

- Slide the lock lever of the side brush to  (release mark).



- 1. Lock lever 2. Side brush

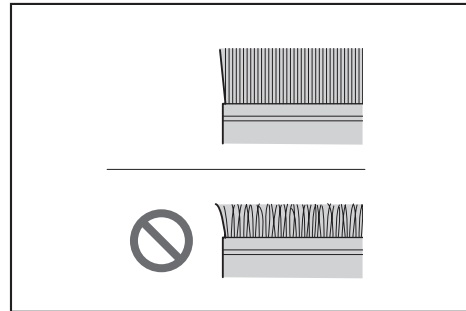
- Remove the side brush.
- Remove hair and dust caught in the side brush using tweezers or other tools.



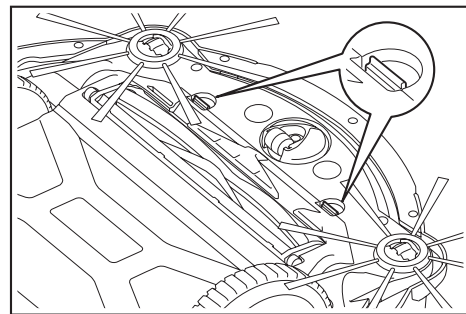
- Attach the side brush to the robotic cleaner. (See page 13.)

Caring for and replacing the main brush

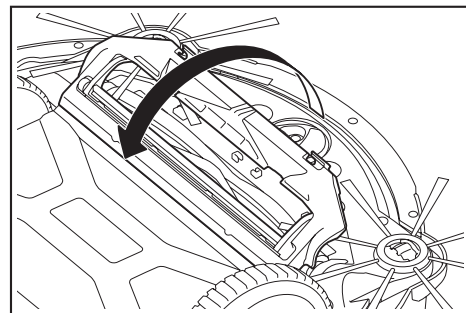
- If an error indication (see page 28) is made, or dust and hair are caught in the main brush, care for the main brush.
- If the bristles of the main brush wear and are becoming shorter, replace the main brush.



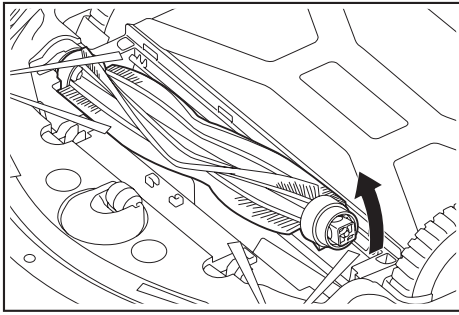
- Turn the robotic cleaner upside down on a mat, etc.
- Unhook the hooks of the main brush cover.



- Remove the main brush cover. Do not disassemble the main brush cover.



4. Remove the main brush.



5. Care for the main brush, main brush cover, main brush housing, and joints as described below.

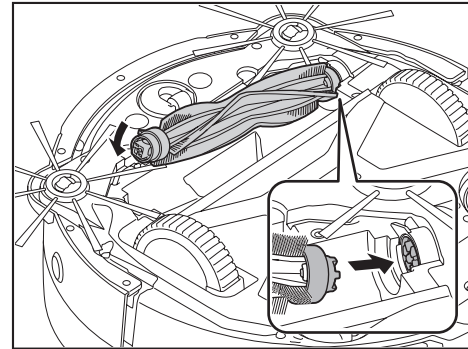
Part	How to care
Main brush	<p>Remove the bearing cap attached to the main brush and get rid of the trapped dust. For trapped hair and lint, cut them short along the bristles of the brush with scissors and then remove them. For clinging dust, wash it away with water.</p> <p>1. Bearing cap</p>
Main brush cover	<p>Wipe it clean with a cloth dampened with water or diluted neutral detergent. If the dirt is noticeable, wash it away with water.</p>
Main brush housing	<p>Wipe it clean with a cloth dampened with water or diluted neutral detergent. It cannot be washed with water.</p>
Joints	<p>For the joints attached to the robotic cleaner, loosen the screw with a screwdriver while holding the joint by hand. After that, pick the joint up. Remove dust caught inside the robotic cleaner.</p> <p>1. Joint 2. Screw</p>

NOTICE

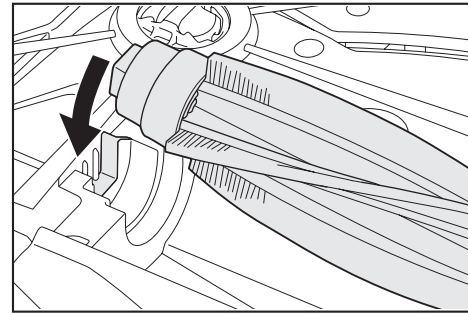
Do not use thinner, benzine, alcohol, etc. because they can be a cause of deterioration or discoloration.

6. Parts washed with water should be dried sufficiently in a well-ventilated place out of direct sunlight.
 - Using parts without drying them properly may cause a reduction in suction power, as well as a reduction in motor life.
 - Using parts while moisture remains on them may cause an odor or failure.
 - The drying time should be about one day.
 - Avoid drying with a dryer, a blower, etc.
7. Put the bearing cap back to the original position in the main brush.
8. Fasten the joints to the robotic cleaner using screws.

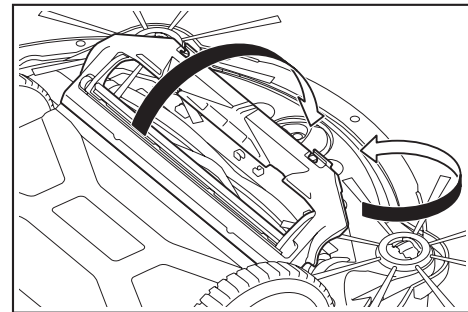
9. Attach the main brush so that the shape of the main brush holder fits the groove of the joints of the robotic cleaner.



10. Rotate the bearing cap to align the orientation, then insert it into the robotic cleaner.

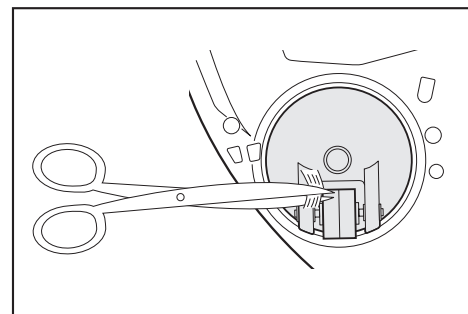


11. Attach the main brush cover (push the hook in until it clicks).
 - Be careful not to get a side brush caught in the main brush cover.
 - Make it easier to avoid catching the side brushes by removing the side brushes temporarily or by attaching the main brush cover while rotating the side brush in the direction shown in the figure.

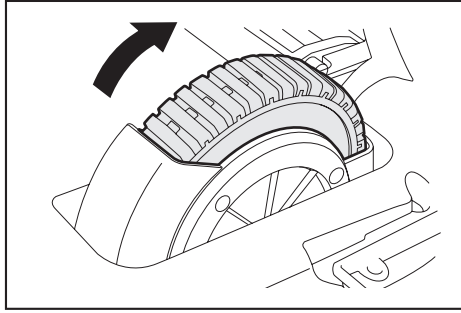


Caring for wheels

- Care for wheels when dust and hair get caught in them.
- Do not remove wheels from the robotic cleaner.
- Get rid of dust caught in the casters. If it is hard to get rid of, use fine-tipped scissors, tweezers, etc.



- Remove dirt on both drive wheels while rotating them. In this time, be careful not to get your hand caught.

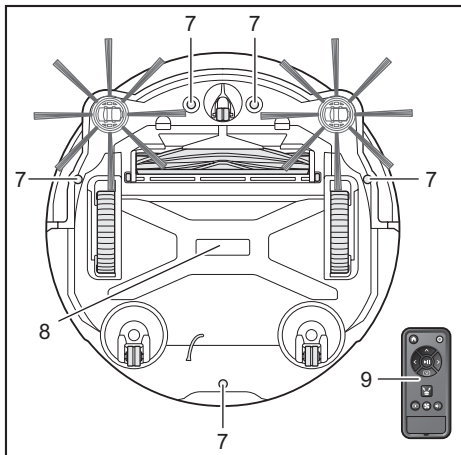
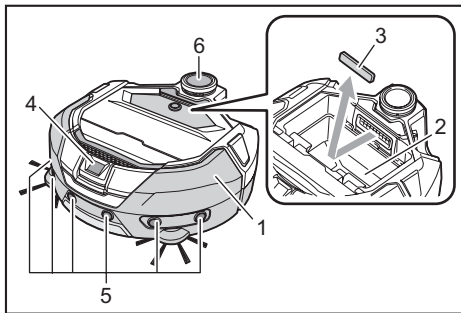


Caring for the robotic cleaner

NOTICE

- Do not use thinner, benzene, alcohol, etc. because they can be a cause of deterioration or discoloration.
- Do not use a sharp-pointed object (such as a toothpick) because it can be a cause of breakage or damage.

Follow the table below in caring for parts of the robotic cleaner.



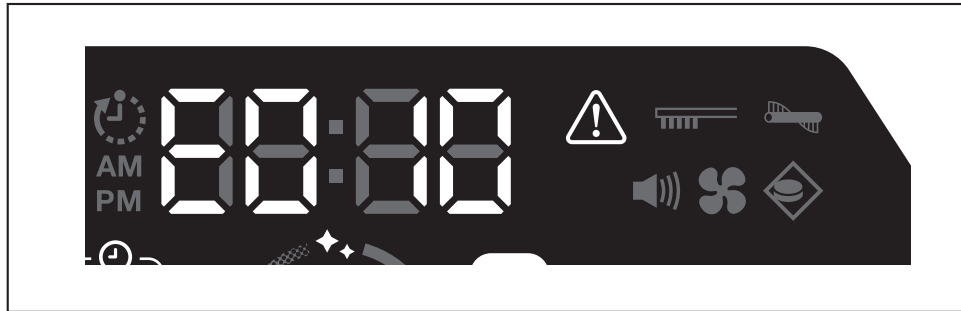
Number	Part	How to care
1.	Robotic cleaner surface	Wipe it clean with a cloth dampened with water or diluted neutral detergent.
2.	Interior of the robotic cleaner (dust box housing)	Wipe it clean with a cloth dampened with water or diluted neutral detergent.
3.	Suction opening sponge inside the robotic cleaner	Take out the sponge and wash away the dust on the sponge with water.
4.	Camera sensor	Wipe dirt off with a soft cloth or a cotton swab while being careful not to cause damage.
5.	Ultrasonic sensor	Wipe it clean with a cloth dampened with water or diluted neutral detergent.
6.	LiDAR sensor	Remove dust and dirt inside the cover of the LiDAR sensor.
7.	Cliff sensor (5 locations)	Wipe dirt off with a soft cloth or a cotton swab while being careful not to cause damage.
8.	Underside of the robotic cleaner	Wipe it clean with a cloth dampened with water or diluted neutral detergent.
9.	Front face of the remote control and its buttons	Wipe dirt off with a dry cloth.

About repair

- If it is not possible to resume operation after removing the cause of a notification or error indication (see page 28), turn the power off and then on again.
- If the same notification or error is displayed repeatedly, ask the shop from which you made a purchase or our sales office to do repair.
- Do not do repair by yourself. Be sure to ask the shop from which you made a purchase or our sales office.
- When you ask for repair, bring the robotic cleaner together with the batteries and charger.

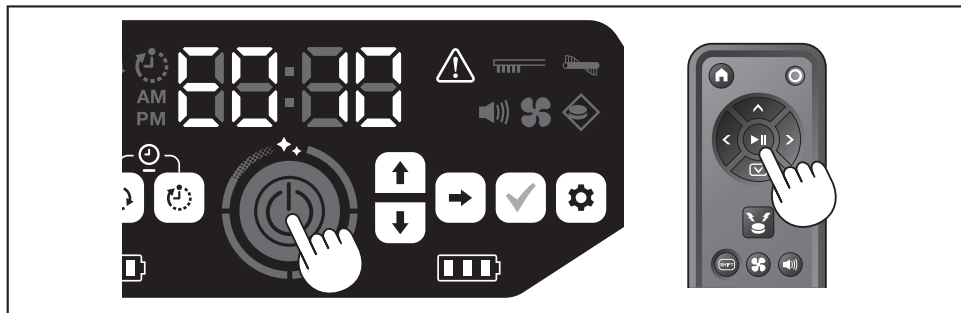
Notification and Error Indication

When care is required or an error occurs, a red lamp lights up on the operation panel of the robotic cleaner, with the error number displayed. In addition, there can be a notification with a sound.



Canceling a notification and error indication

- When a notification for filter care appears, the robotic cleaner can be operated but may not work properly. Remove the cause before using the robotic cleaner.
 - When an error notification appears, the robotic cleaner stops operating. Take action as follows.
1. Check the error number and remove the cause of the error. (See "Notification of a need of care, etc." on this page.)
 - If you turn off the power or the power runs out due to loss of the battery capacity before removal of the error cause, the robotic cleaner cancels the error temporarily.
 2. Pressing the start/stop button of the robotic cleaner or the remote control cancels the error indication, and the robotic cleaner enters the stand-by state.




3. Check that the error is cleared before using the robotic cleaner.

NOTICE

- Restart the robotic cleaner if you cannot operate the robotic cleaner after removing the cause.
- If the same error appears repeatedly, ask the shop from which you made a purchase or our sales office to do repair.





Notification of a need of care, etc.













If the lamp lights up, turn off the power and remove the batteries. Then, take action as described below.

Notified problem	Cause	Action
<ul style="list-style-type: none"> • Filter care is necessary. 	Dust is accumulated or the filter is clogged.	Discard the dust and care for the filter. → See pages 21 and 24. Check to see if dust is accumulated inside the robotic cleaner and at the exhaust opening.

Error notification

- Take action according to the error lamp and number on the indicator.
- For the error codes in the list, a specific number will be displayed in place of the "X" depending on the error type. Report the error code when contacting the dealer or our sales office.
- When you check the cause or take action, turn off the power and remove the batteries as necessary before taking action.
- If an error number other than those listed below is displayed, ask the shop from which you made a purchase or our sales office.

Number	Cause	Action
Notified problem E01X Error of drive wheels 	Is foreign matter such as lint or hair caught in the drive wheels? When the robotic cleaner goes through a low gap, the robotic cleaner may get caught in the gap, displaying this notification.	Remove foreign matter. → See page 26. It is not failure.
E02X Error due to loss of a wheel or uplift of the robotic cleaner 	Is a drive wheel derailed, or is a wheel separated from the ground?	Move the robotic cleaner to another place. → See page 10.
E030 Error of the main brush  	Is foreign matter such as lint or hair caught in the main brush?	Remove foreign matter. → See page 25.

Number		Cause	Action
Notified problem			
E04X Error of the side brushes	 	Is foreign matter such as lint or hair caught in the side brushes?	Remove foreign matter. → See pages 13 and 25.
E060 Non-detection of the dust box or the filter	 	The dust box or the filter is not attached.	Check that they are attached properly. → See pages 21 and 24.
E09X Cliff sensor error		Is the robotic cleaner exposed to direct sunlight?	Move the robotic cleaner to another place. → See page 10.
		Is the robotic cleaner on a black floor surface?	
		Are the cliff sensor dirty?	<ul style="list-style-type: none"> Gently wipe off the dirt on the cliff sensor with a dry, soft cloth, a cotton swab, etc. Check if the earthing line contacts to the ground. → See pages 8 and 10 and 27.
E10X Bumper sensor error		It is a malfunction of the bumper sensor.	Press the bumper with your hand about 10 times. → See page 8.
E110 Motion error		Does the robotic cleaner run on a step, etc. and get stuck there?	Move the robotic cleaner to another place. → See page 10.
E12X Decrease in the remaining battery capacity Timer setting error		Is the robotic cleaner unable to start operating by ON timer reservation because the remaining battery capacity is insufficient?	When starting operation by ON timer reservation, make sure that the batteries are fully charged.
E140 Room setting error Location information error		Is the room different from the mapped room, or is the starting point of cleaning different?	Check the mapped room and the starting point of cleaning. → See page 17.
		Is the layout of the mapped room changed?	Perform mapping again. → See page 16.
		Is the LiDAR sensor blocked by a cloth or dirty?	Remove the cloth, etc., and care for the LiDAR sensor. → See page 27.
		Are there any obstacles with a height of 25 cm (9-7/8") or more that the LiDAR sensor can detect around the robotic cleaner?	The LiDAR sensor requires obstacles taller than 25 cm (9-7/8") within the following ranges: <ul style="list-style-type: none"> 11 m (36.09 ft) radius from the robotic cleaner for mapping and mapping cleaning mode. 18 m (59.06 ft) radius from the robotic cleaner for free cleaning mode. Please place some obstacles taller than 25 cm (9-7/8") in the area.
E170 Error of the robotic cleaner top cover		Is the top cover of the robotic cleaner open?	Close the top cover of the robotic cleaner.
E190 Error due to loss of a wheel or uplift of the robotic cleaner		Is a drive wheel derailed, or is a wheel separated from the ground?	Move the robotic cleaner to another place. → See page 10.
E200 Error due to failure to return back to the starting point Error due to failure to go to the destination		The robotic cleaner failed to return back to the starting point of cleaning.	<ul style="list-style-type: none"> If there are objects that obstruct the running of the robotic cleaner, put the objects away or keep the robotic cleaner away from those objects. → See page 20. If robotic cleaner frequently fails to return to the starting point, turn on [Prioritize Homing] on the app. The time taken to go back to the starting point can be longer. → See page 42. Check if there is a pathway of 80 cm (31-1/2") or more for cleaning.
		The robotic cleaner failed to proceed to the next destination because it is entered a narrow passage.	

Troubleshooting

Before asking for repair or making an inquiry, check whether the following apply.

Power supply

Symptom	Cause	Action
<ul style="list-style-type: none"> Pressing the start/stop button does not turn on the power. The lamp does not light up. Pressing buttons on the robotic cleaner and the remote control results in no response. 	Are the batteries installed correctly?	Check for proper installation of the batteries. → See page 14.
	Is the battery capacity lost?	Check the remaining capacity.
	Is the power of the robotic cleaner turned off?	Press the start/stop button of the robotic cleaner to turn on the power. → See page 15.

Running operation

Symptom	Cause	Action
The robotic cleaner does not run.	Is the error lamp blinking?	The robotic cleaner does not run during an error. → See page 28.
	Is the robotic cleaner in the waiting mode for operation by ON timer reservation?	When the waiting mode for reserved operation is in effect, the operations other than turning off the power and location notification are not possible. → See page 19.
The robotic cleaner starts moving suddenly even though you perform no operation.	Is the ON timer reservation enabled?	→ See page 19.
The robotic cleaner stops when running.	Is the robotic cleaner caught in a cord or other object? Is a cloth or a string (for example, a thin towel) entangled around the wheels?	Turn off the power of the robotic cleaner and remove objects that are caught in the robotic cleaner and entangled around the wheels. → See page 26.
	Is the robotic cleaner stopped without climbing over a step?	Turn off the power of the robotic cleaner, and relocate the robotic cleaner to another place. → See page 10.
	Is the OFF timer set up?	→ See page 19.
	Are there any obstacles with a height of 25 cm (9-7/8") or more that the LiDAR sensor can detect around the robotic cleaner?	The LiDAR sensor requires obstacles taller than 25 cm (9-7/8") within the following ranges: • 11 m (36.09 ft) radius from the robotic cleaner for mapping and mapping cleaning mode. • 18 m (59.06 ft) radius from the robotic cleaner for free cleaning mode. Please place some obstacles taller than 25 cm (9-7/8") in the area.
The speed changes.	The robotic cleaner can slow down when a sensor detects an obstacle or determines the running direction.	It is not abnormal.
The robotic cleaner does not go straight.	Is foreign matter caught in the wheels?	Turn off the power of the robotic cleaner and remove foreign matter on the wheels. → See page 26.
	Are any of the wheels damaged?	Request service from the shop from which you made a purchase or our sales office.
	Are the ultrasonic sensor and the LiDAR sensor dirty?	Care for them. → See page 27.
The robotic cleaner collides with an obstacle more often than before.	Are the ultrasonic sensor and the LiDAR sensor dirty?	Care for them. → See page 27.
The robotic cleaner fails to avoid a step and then falls.	Are the cliff sensor dirty?	Care for them. → See page 27.
	The robotic cleaner sometimes climbs down a step with a height of 3.0 cm (1-3/16") or less.	It is not failure. → See page 10.
The robotic cleaner continues to perform avoidance behavior even though there are no obstacles or steps.	Are the cliff sensors or LiDAR sensor dirty?	Care for them. → See page 27.
Cliff sensor gets dirty quickly.	Is the earthing line cut and not making contact with the ground anymore?	Request service from the shop from which you made a purchase or our sales office.
The driving sound is louder than usual.	Is the dust box filled with dust? Is the filter clogged?	Dispose of the dust and care for the filter. → See pages 21 and 24.
	Is dust caught in the main brush and the side brushes?	Care for them. In addition, check for proper installation of the brushes. → See page 25.
The sound of the vacuum fan becomes louder during operation.	It becomes louder when the robotic cleaner switches the battery cartridge to use.	This is normal.
• The suction power is weak. • Dust is not sucked in.	Is the dust box filled with dust? Is the filter clogged?	Dispose of the dust and care for the filter. → See pages 21 and 24.
	Is the vacuum fan turned off?	Check the setting. → See page 18.
A side brush comes off.	Is the side brush installed correctly?	Check for proper installation. → See page 13.
A side brush or main brush does not rotate, is hard to rotate, or is tangled.	Is foreign matter (such as lint and hair) caught in the side brushes or the main brush?	Care for them. In addition, check for proper installation of the main brush and the main brush cover. → See page 25.
	The robotic cleaner cannot be used on a rug with a pile length of more than 7 mm (9/32"). Even if the pile length is 7 mm (9/32") or less, the robotic cleaner may stop operating or the pile may get caught in the side brushes depending on the pile material or other properties.	→ See page 10.
The exhausted air smells.	Is wet garbage or smelly garbage sucked in?	Discard the garbage. → See page 21.
	Is the filter clogged?	Care for the filter. When you have washed the filter with water, dry it sufficiently before using it. → See page 24.

Remote control operation

Symptom	Cause	Action
The remote control does not work.	Are the batteries correctly placed in the remote control?	Check the battery orientation. → See page 13.
	If the robotic cleaner sometimes does not react when operated with the remote control, a possible cause is that the batteries are at the end of their life. (The criterion for replacement is about one year. A battery can become exhausted in less than one year depending on the battery used and the conditions.)	Replace the batteries with new ones. → See page 13.
	Is the power of the robotic cleaner turned off?	Press the start/stop button of the robotic cleaner to turn on the power. → See page 15.
	There is a possibility that the distance between the remote control and the robotic cleaner is too long for radio waves to reach properly.	Secure an unobstructed view by narrowing the distance between the remote control and the robotic cleaner and by relocating obstacles. → See page 11.
Operation with the remote control is not possible.	The following equipment that uses 2.4 GHz-band radio waves may possibly be in operation nearby. <ul style="list-style-type: none"> • Microwave oven • Bluetooth®-capable devices • Wireless LAN devices • Other equipment that uses 2.4 GHz-band radio waves (such as digital cordless phones and game machines) 	Provide a longer distance between the robotic cleaner and the remote control, or discontinue the use of these devices temporarily.
	When you have replaced the remote control with a new one, establish a pairing with the robotic cleaner.	→ See page 23.
	If you cannot operate the robotic cleaner with the remote control after examining the possible causes listed above, turn the power of the robotic cleaner off and then on again.	→ See page 15.

Operation panel

Symptom	Cause	Action
The set time is frequently reset.	The built-in battery is almost depleted because the robotic cleaner is not used for a long period of time.	Run the robotic cleaner for more than 1 hour, or set it in standby state. (The built-in battery will be recharged.)

Timer function

Symptom	Cause	Action
Operation by ON timer reservation does not start at the time specified.	The robotic cleaner does not start operating according to ON timer reservation if any of the following conditions applies at the start of operation by ON timer reservation. <ul style="list-style-type: none"> • The power is turned off. • When the battery capacity is insufficient 	→ See page 19.
	Does the timer lamp light up?	If the power is turned off or the battery capacity is used up after reservation is set, the timer lamp turns off. → See page 9.

Mapping

Symptom	Cause	Action
<ul style="list-style-type: none"> • The robotic cleaner stops during mapping. • Mapping fails. 	Is the room dark during mapping?	Make the room brighter until completion of mapping.
	There are no obstacles with a height of 25 cm (9-7/8") or more within a radius of about 11 m (36.09 ft) of the robotic cleaner.	The environment may not be suitable for mapping. Cleaning in free cleaning mode is recommended. → See page 16.
The robotic cleaner starts cleaning instead of mapping.	Is an already registered room number selected?	Select an unregistered room number or delete the already registered map. → See pages 16 and 17.
<ul style="list-style-type: none"> • A map is not registered. • The map is incomplete. (There is an area that is not registered.) 	The shape of the room, the layout of obstacles or other characteristics may be too complex.	Check if there is a pathway of 80 cm (31-1/2") or more for cleaning. Tidy up the room. → See page 11.
		The battery capacity may be insufficient. Make the batteries fully charged and then do mapping.
	You can add the mapping information manually. → See page 39.	
	The robotic cleaner was picked up during mapping.	Do not pick up the robotic cleaner during mapping. The room information may not be registered correctly.

App

Symptom	Cause	Action
It is not possible to establish connection to the app.	Was the smartphone connection button of the robotic cleaner pressed?	Press the smartphone connection button to connect to the app. → See page 33.
	Was the Wi-Fi® setting of the smartphone enabled?	Enable the Wi-Fi® setting of the smartphone.
	There is a possibility that the distance between the smartphone and the robotic cleaner is too long for radio waves to reach properly.	Secure an unobstructed view by narrowing the distance between the smartphone and the robotic cleaner and by relocating obstacles. → See page 11.
	The connection to the robotic cleaner failed.	For iPhone: Go to the iOS setting menu and enable the local network setting for Makita Robotic Cleaner DRC300. For Android: If a pop-up appears to decide whether to keep the connection after establishing the Wi-Fi connection, allow it.
	The robotic cleaner may have failed to acquire the location information. (The robot cleaner's name is displayed as "null" in the PIN code entry screen.)	Enable the location information setting of your smartphone.

Protection function

When any of the following conditions is established while the robotic cleaner is in operation, the motor stops automatically. This is due to the protection function, not failure.

Protection function
The motor stops automatically if the battery reaches a high temperature. • Stop cleaning and remove the batteries from the robotic cleaner. Then, charge and cool the batteries using a charger with cooling system or wait until the batteries have cooled. • If the robotic cleaner does not work even with the batteries cooled, cool the robotic cleaner. • If an error number is displayed on the robotic cleaner, remove the cause of the error. (See page 28.)
The robotic cleaner stops automatically if the battery charge becomes weak, enters the sleep mode, and the power turns off completely if the remaining charge runs out. • Remove the batteries from the robotic cleaner and charge the batteries.
The robotic cleaner stops automatically if an error is detected. • Check the error number and remove the cause of the error. After removal of the cause, the robotic cleaner can be used again. (See page 28.)

Storage

Turn off the power and remove the batteries before keeping the robotic cleaner in storage.

Do not store the robotic cleaner in the following places because it is a precision machine. Doing so can cause heating, ignition, failure, deterioration of rubber parts, etc.

- Places where the temperature rises suddenly
- Places where the temperature drops suddenly
- Places where the temperature changes suddenly
- Near a flame, a heater, cooling and heating equipment, etc.
- Outdoors
- Places exposed to direct sunlight
- Places exposed to moisture or vapor
- Places with much dust and sand
- Smoky places
- Places with poor ventilation

If the robotic cleaner is kept in storage without being used for a long time, its performance may be impaired. To use the robotic cleaner for many years, occasionally turn on the power of the robotic cleaner and use it.

Optional Accessories

⚠ CAUTION

These accessories or attachments are recommended for use with your Makita tool specified in this manual. The use of any other accessories or attachments might present a risk of injury to persons. Only use accessory or attachment for its stated purpose.

If you need any assistance for more details regarding these accessories, ask your local Makita Service Center.

- Magnetic boundary line
- Main brush
- Soft main brush
- Side brush
- Soft side brush
- HEPA filter
- Main brush cover
- Bumper cushion
- Makita genuine battery and charger

NOTICE

- Some items in the list may be included in the tool package as standard accessories. They may differ from country to country.
- To avoid false recognition when using the bumper cushion, do not attach the bumper cushion to the following areas: The area in the lateral extension of the ultrasonic sensors, and the upper and lower areas within 28 mm (1.1") of the ultrasonic sensors.

Smartphone App (For the DRC300)

Table of contents

- What you can do with the app ----- 33
- How to install the app ----- 33
 - Preparations in advance ----- 33
 - Installing the app on a smartphone ----- 33
 - Initial setting ----- 33
- Home screen ----- 34
- Cleaning with the app ----- 34
 - Cleaning a room without mapping (free cleaning mode) ----- 34
 - Cleaning mapped rooms ----- 35
 - Operating the robotic cleaner with the app ----- 36
- Checking the history of cleaning ----- 36
 - Checking the latest history ----- 36
 - Checking the past histories ----- 37
 - Checking the error histories ----- 37
- Adding, changing, or deleting mapping information --- 38
 - Adding mapping information ----- 38
 - Adding mapping information manually (manual mapping) ----- 39
 - Changing the name of mapping information ----- 40
 - Limiting the range of cleaning ----- 40
 - Deleting mapping information ----- 41
- Changing and checking settings ----- 42
 - Changing the name of a registered robotic cleaner ----- 42
 - Setting cleaning options ----- 42
 - Changing the PIN code ----- 43
 - Deleting a registered robotic cleaner's information ----- 43
 - Checking the app information ----- 44
- Error message/dialogue ----- 44

What you can do with the app

Using a smartphone with the robotic cleaner-specific app installed, you can do the following things:

- Cleaning
- Remote control operation
- Adding, changing, or deleting mapping information
- Checking the history of cleaning
- Changing robotic cleaner settings

NOTICE

- This app is for use on a smartphone and does not run on tablet-type devices, PCs.
- A smartphone and the robotic cleaner are directly connected using the Wi-Fi® function. Note that the Internet is not available during the connection to the robotic cleaner. After using the app, remember to disconnect from the robotic cleaner by pressing the smartphone connection button.
- To use this app, you must give permission to get location information and agree to the terms of use. The user must judge whether to give permission to get location information and to agree to the terms of use.
- The application screen images are subject to change without notice.

How to install the app

Preparations in advance

A smartphone (Android or iOS) is necessary to use the app.

- Android: Android Version 6.0 or later is required.
- iOS (iPhone): iOS 12 or later is required.

Installing the app on a smartphone

1. Using your smartphone, search for "Makita Robotic Cleaner DRC300" in Google Play™ or App Store.
You can also access from the QR code.

Google Play™



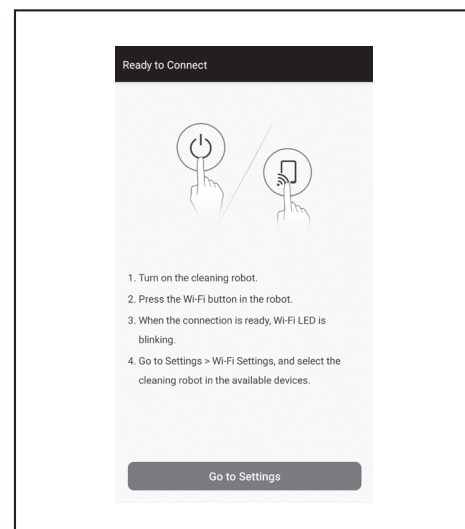
App Store



2. Install "Makita Robotic Cleaner DRC300"
3. After installation, start up "Makita Robotic Cleaner DRC300"

Initial setting

1. As a screen appears to ask whether to permit the acquisition of location information, tap on [OK].
2. In the terms of use screen, tap on [Agree].
3. Follow the instructions on the screen:
 - Turn on the robotic cleaner and then press the smartphone connection button on the cleaner. After pushing the smartphone connection button, it takes about 8 seconds for the robotic cleaner to be ready for connection. When the connection is ready, the Wi-Fi LED will blink.
 - After that, tap on [Go to Settings] to display the Wi-Fi® setting screen of the smartphone.



Depending on your device, the following procedures may be required.

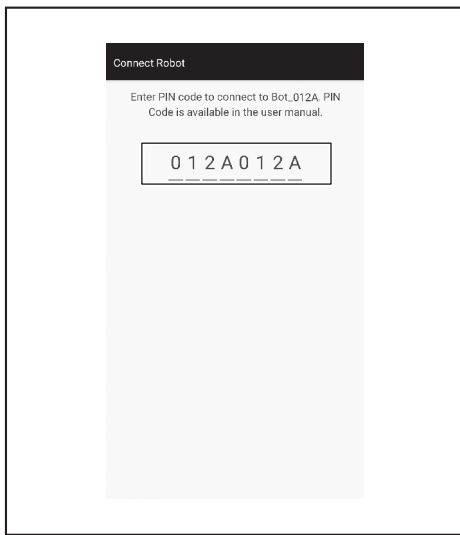
For iPhone:

Go to the iOS setting menu and enable the local network setting for Makita Robotic Cleaner DRC300.

For Android:

If a pop-up to decide whether to keep the connection after establishing the Wi-Fi connection is displayed, allow it.

4. Connect the smartphone to the robotic cleaner via Wi-Fi®. (This connection is NOT Bluetooth.)
 - Wi-Fi® connection setting (password entry) is required only when connecting to the robotic cleaner for the first time.
 - The initial password of the Wi-Fi® connection is set to alphanumeric characters that repeat the last four digits under the robotic cleaner's SSID twice. For example, if the SSID "Robotic_Cleaner_012A" is displayed, the password will be "012A012A".
 - Be sure that the smartphone cannot access other Wi-Fi® networks during the connection with the robotic cleaner.
5. Exit from the Wi-Fi® setting screen and display the app screen. After that, enter the PIN code to authenticate the connection.
 - The factory set PIN code is set to alphanumeric characters that repeat the last four digits under the SSID twice.
 - If the SSID is "Robotic_Cleaner_012A", the factory set PIN code will be "012A012A."
 - The home screen of the app will be displayed when the PIN code is successfully authenticated.



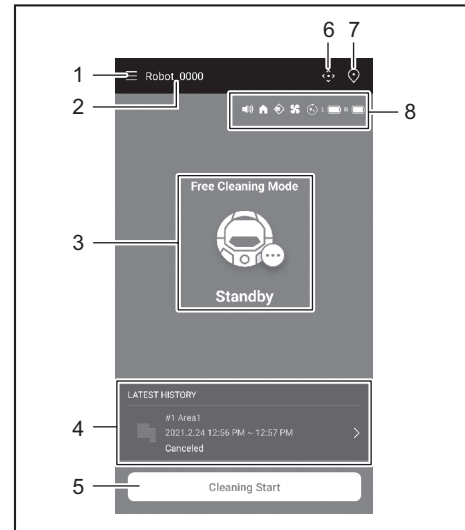
6. Change the PIN code.
 - Be sure to change the PIN code. Do not use the default PIN code. See page 43 for how to change the PIN code.
 - Do not forget the new PIN code you created.
7. Initial setting is complete when "PIN code changed" is displayed. Return to the home screen to use the app.

To disconnect the Wi-Fi connection, press the smartphone connection button on the robotic cleaner to turn off the smartphone connection lamp.

NOTICE

If your connection is suddenly disconnected, close the app once and then try to establish connection again.

Home screen



1. Menu button (various settings, history check)
2. Robotic cleaner name
3. Operating state of the robotic cleaner
4. Latest record of cleaning (displayed only when there is a record)
5. Cleaning (or Mapping) start button
6. Remote control button
7. Mode switch button
8. Robotic cleaner settings and the remaining battery capacity
 - : The sound setting is on.
 - : The prioritize homing function setting is on.
 - : Boundary-sensing feature is on.
 - : The vacuum fan setting is on.
 - : The continuous cleaning setting is on.
 - : Left-battery's remaining capacity
 - : Right-battery's remaining capacity

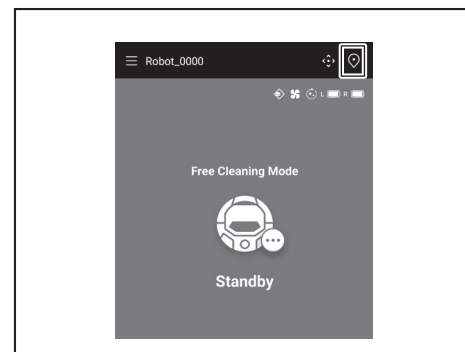
Cleaning with the app

The robotic cleaner works in two modes: free cleaning mode, which does not require map registration, and mapping cleaning mode (see "Cleaning mapped rooms" on page 35), which requires room information to be registered for cleaning.

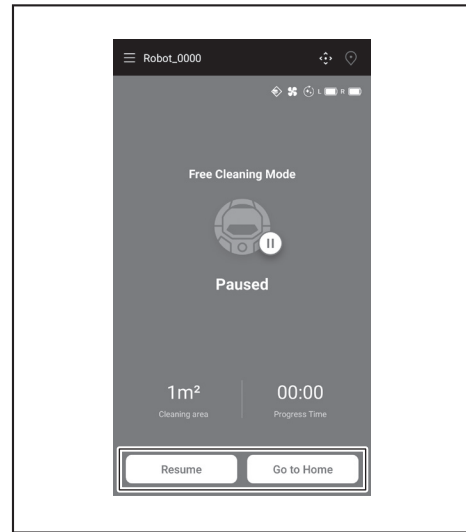
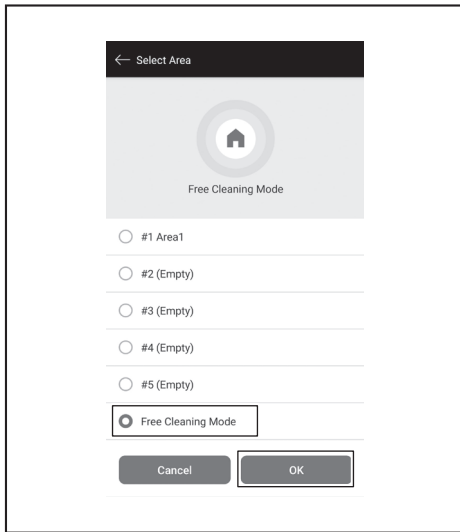
Cleaning a room without mapping (free cleaning mode)

- Free cleaning mode is recommended for cleaning in various rooms or in an environment that involves frequent, significant layout changes.
- Free cleaning mode is also recommended for a room that cannot be adequately lighted.
- For cleaning, mapping, and the location to start the robotic cleaner, see page 16.

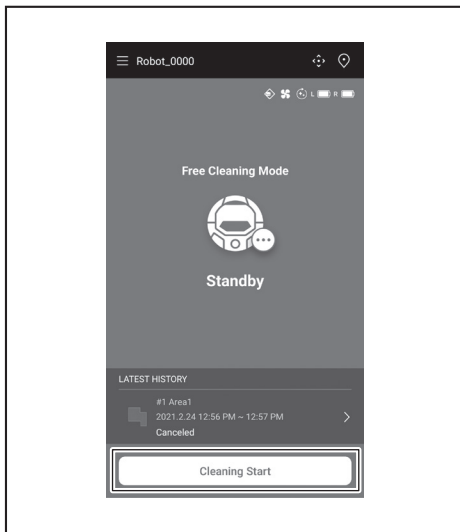
1. On the home screen, tap on



2. Tap on [Free Cleaning Mode], then tap on [OK].




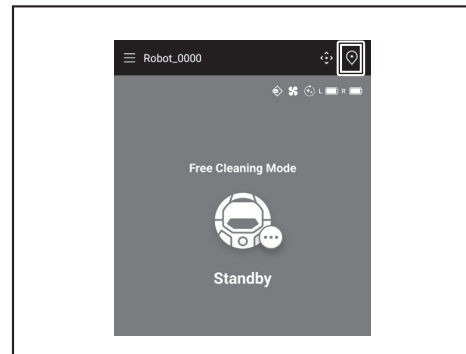
3. On the home screen, tap on [Cleaning Start] for the robotic cleaner to start cleaning.



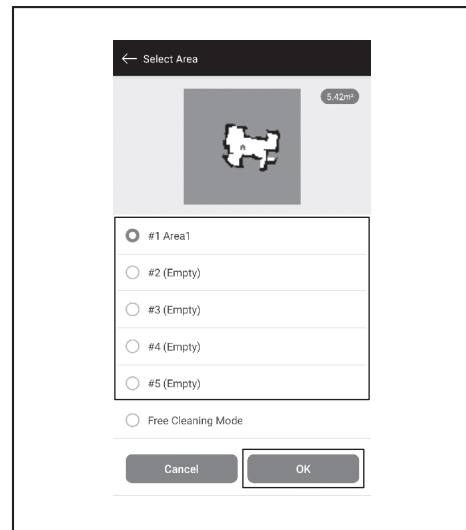
Cleaning mapped rooms

- In mapping cleaning mode, the robotic cleaner works so that a mapped room is cleaned efficiently.
- The use of mapping cleaning mode requires mapping information to be registered. (See page 38.)

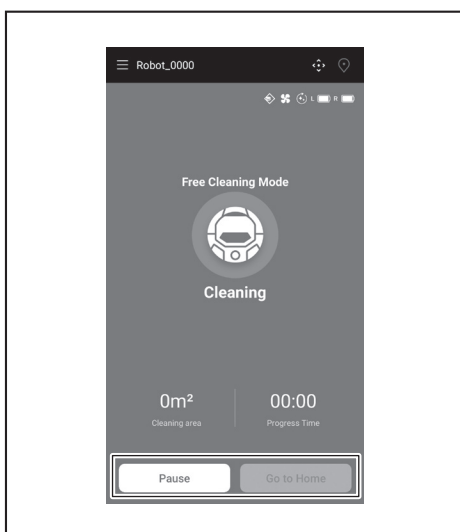
1. On the home screen, tap on .



2. Tap on the room you want to clean, then tap on [OK].
 - You can add, change, and delete a map. (See page 38)

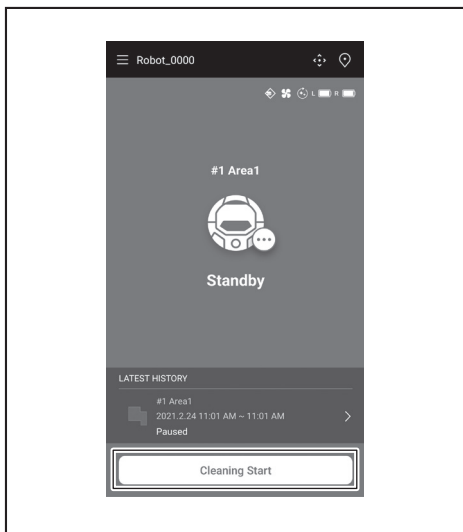


4. You can control the robotic cleaner with the following operations.
 - Tapping on [Pause] results in the robotic cleaner stopping cleaning temporarily.
 - Tapping on [Resume] while paused restarts the robotic cleaner.
 - Tapping on [Go to Home] while paused results in the robotic cleaner going back to the point where it started cleaning. As the robotic cleaner goes back to the starting point, the app goes to the home screen. This operation can be performed while the cleaning is paused.

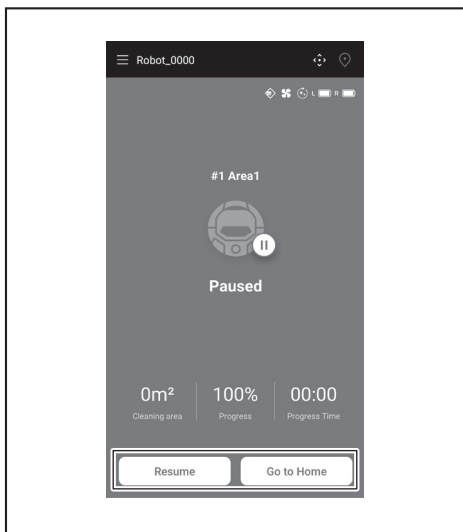
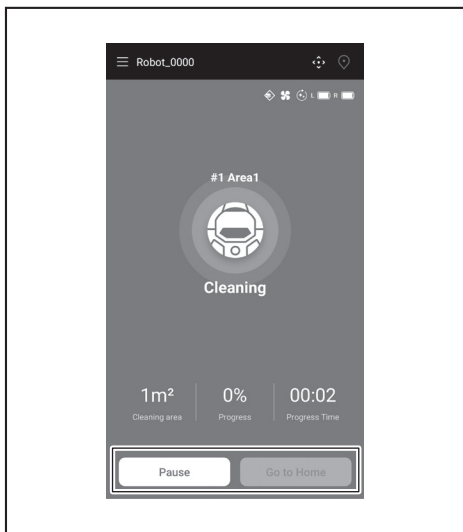


3. Place the robotic cleaner as close as possible to the same orientation as at the start of mapping.
This allows the robotic cleaner to start cleaning smoothly.

- Tap on [Cleaning Start] for the robotic cleaner to start cleaning.




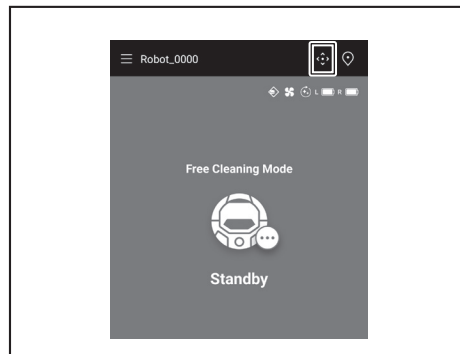
- You can control the robotic cleaner with the following operations.
 - Tapping on [Pause] results in the robotic cleaner stopping cleaning temporarily.
 - Tapping on [Resume] while paused restarts the robotic cleaner.
 - Tapping on [Go to Home] while paused results in the robotic cleaner going back to the point where it started cleaning. As the robotic cleaner goes back to the starting point, the app goes to the home screen. This operation can be performed while the cleaning is paused.
 - If the shape of the room does not match with the map information, the error screen is displayed and the robotic cleaner stops cleaning. Check if the selected room is correct and place the robotic cleaner at the starting point.
 - If the robotic cleaner is placed away from the starting point on the mapping information, the error screen is displayed.



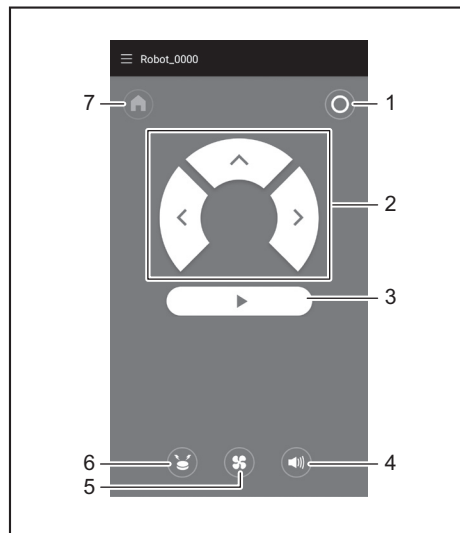
Operating the robotic cleaner with the app

You can operate the robotic cleaner with the app as is the case with the remote control included with the robotic cleaner.

- On the home screen, tap on .



- Tapping on buttons, operate the robotic cleaner.
 - You cannot make the robotic cleaner move backward from the app.



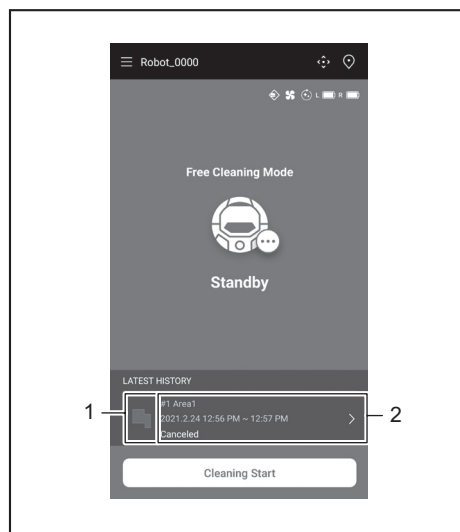
- 1. Power OFF button 2. Action buttons 3. Start/stop button 4. Sound ON/OFF button 5. Vacuum fan ON/OFF button 6. Location beacon buzzer/light button 7. Start point button

Checking the history of cleaning

From the app, you can check the history of cleaning in detail.

Checking the latest history



On the home screen, tap on the icon in [LATEST HISTORY].

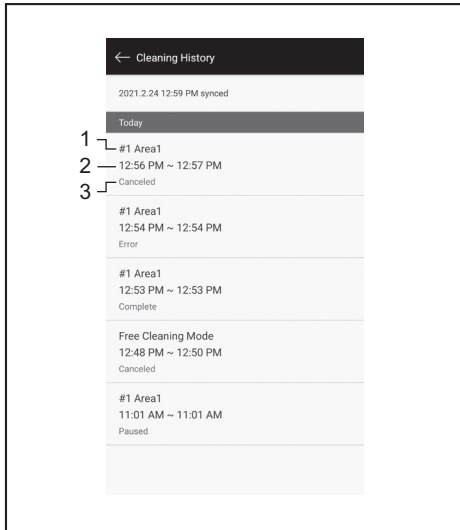


- 1. Icon to show the latest history 2. Article to show the list of histories

Checking the past histories

Up to 15 histories can be recorded. If 15 histories have already been recorded, the oldest history will be erased when a new history is recorded.

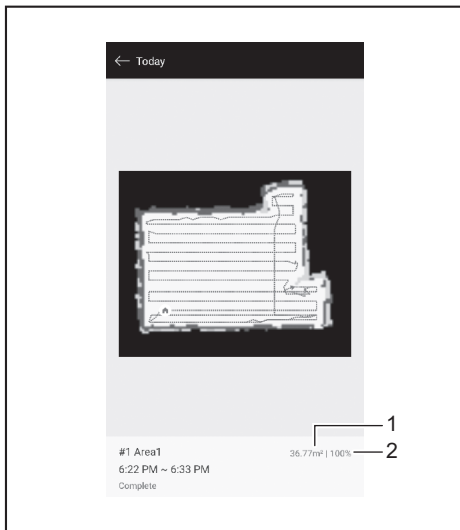
- On the home screen, tap on  in [LATEST HISTORY].
You can tap on  on the home screen and then tap on [Cleaning History] to see the past records.
- Tap on the record you want to check.



- 1. Cleaned room or cleaning mode 2. Time during which the room was cleaned 3. Cleaning status (complete, stopped, error, etc.)

Tapping on an article shows the detail information of each history.


- Blue-green dash line: The trajectory of the robotic cleaner
- Yellow: The area that the robotic cleaner has cleaned
- Blue: Obstacles detected by bumper sensor
- Green: Obstacles detected by the ultra-sonic sensor
- Pink: Steps detected by the cliff sensor
- Purple: The area that the robotic cleaner has detected the magnetic boundary line
- White: The area that the robotic cleaner has not cleaned
- Gray: The walls or obstacles detected by LiDAR sensor

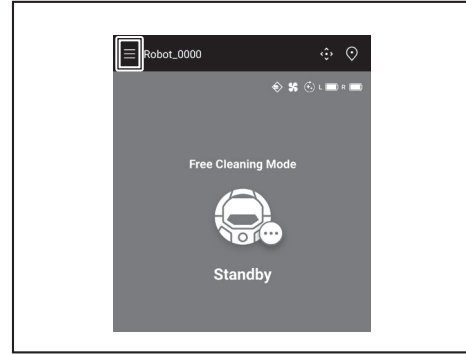


- 1. Cleaned area size 2. Cleaning coverage (mapping cleaning only)

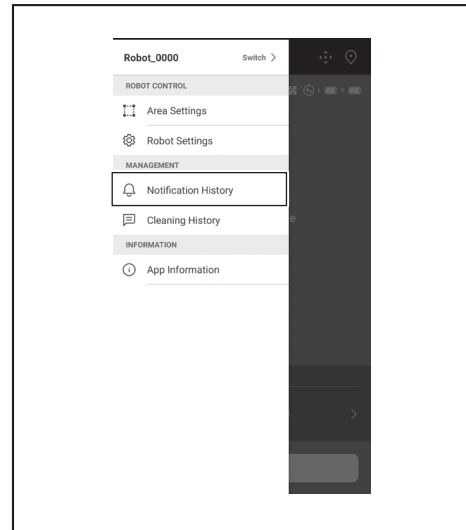
- The size and coverage of the cleaned area are not precise values. Use this information as a rough guide.

Checking the error histories

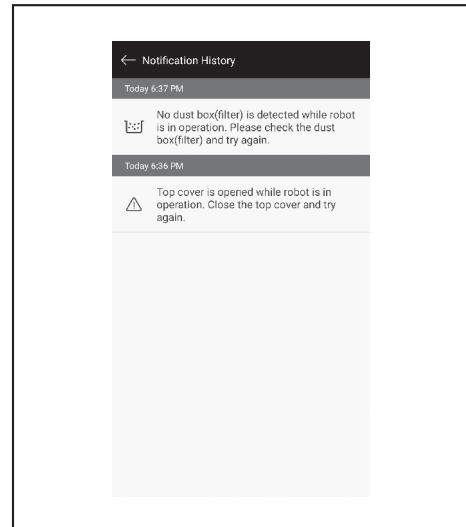
- On the home screen, tap on .



- Tap on [Notification History].




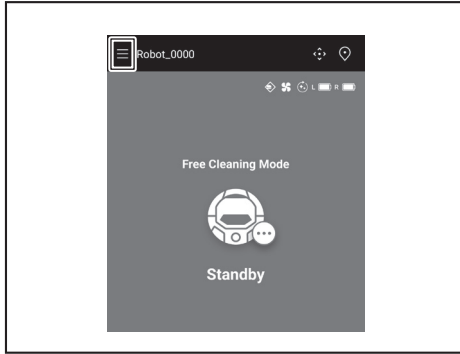
The date, time, and content of the error will be displayed. Up to 10 histories can be recorded. If 10 histories have already been recorded, the oldest history will be erased when a new history is recorded.



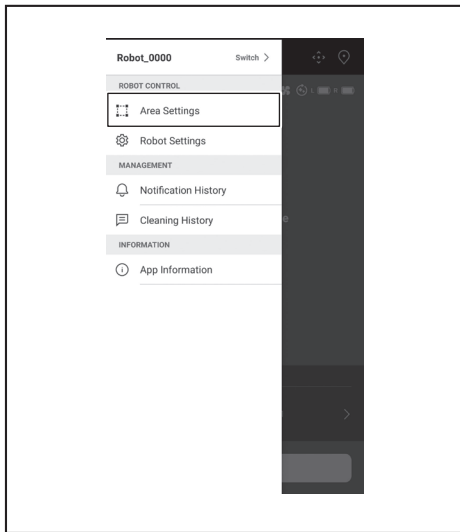
Adding, changing, or deleting mapping information

You can add, change, or delete mapping information from [Area Settings] on the menu window.

1. On the home screen, tap on .



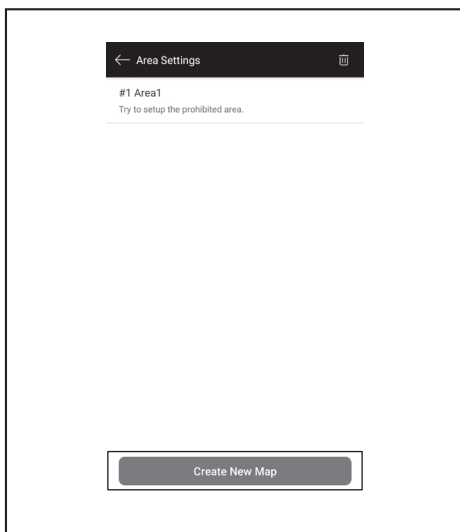
2. Tap on [Area Settings].



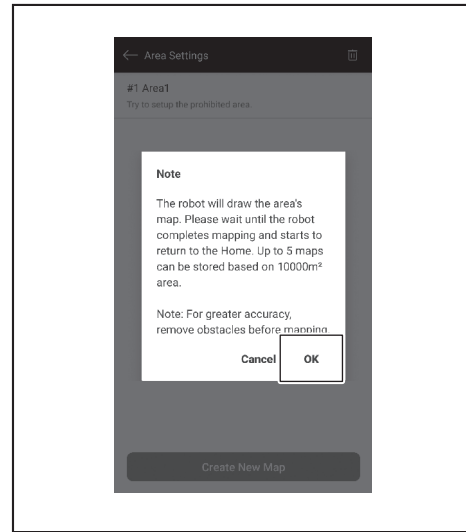
Adding mapping information

You can save information for up to 5 maps with an area size up to 10,000 m². The area size does not indicate the actual size of a mapped area but the rectangle area which covers the whole mapped area.

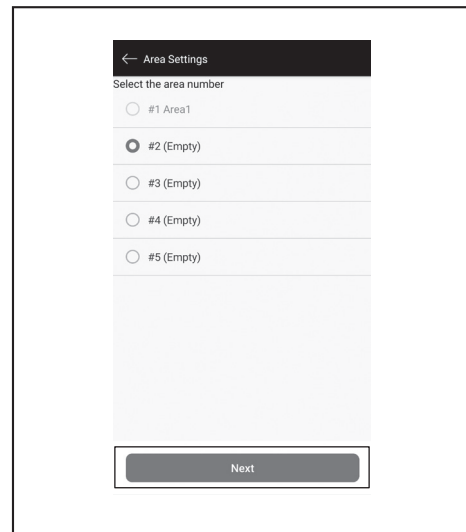
1. On the [Area Settings] screen, tap on [Create New Map].



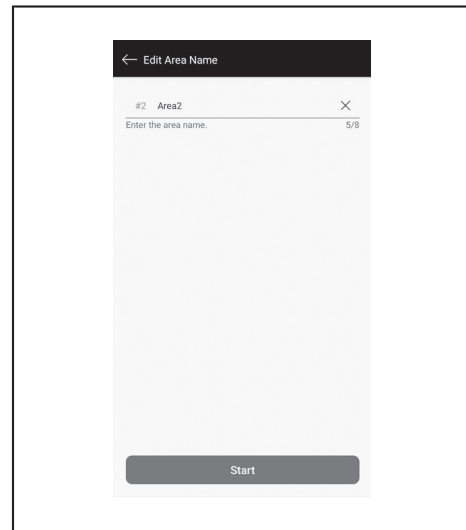
2. A notice is displayed. Tap on [OK].



3. Select an empty slot in which to save mapping information, then tap on [Next].

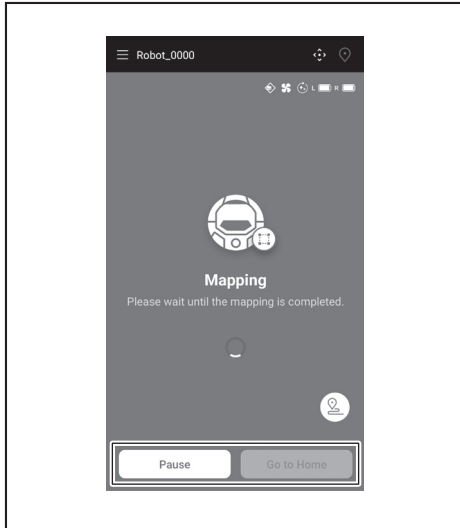


4. Enter an area name (Up to 8 characters).

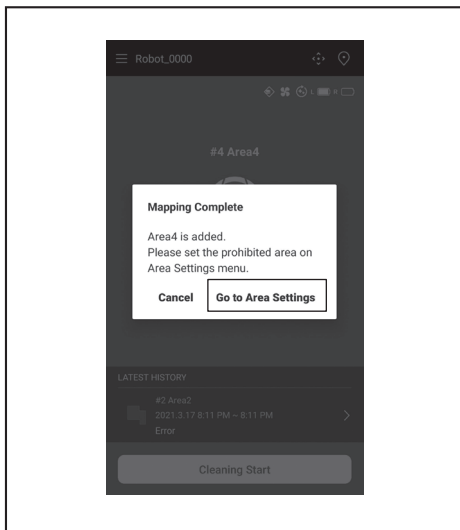


5. Tap on [Start].

- The robotic cleaner starts mapping.
 - Tapping on [Pause] results in the robotic cleaner stopping mapping temporarily.
 - Tapping on [Go to Home] while paused results in the robotic cleaner going back to the point where it started mapping. The mapping information created up to when you tapped is registered. As the robotic cleaner goes back to the starting point, the app goes to the home screen.



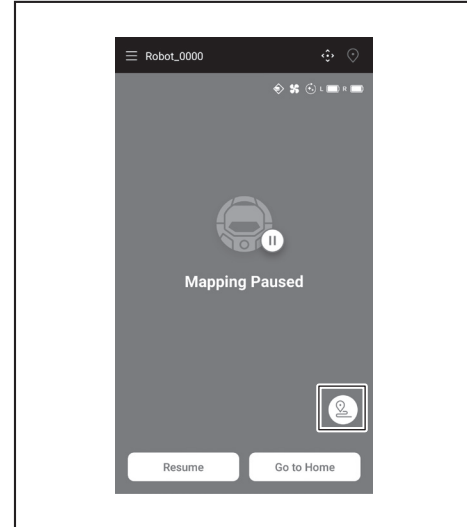
- After the mapping is completed, the dialogue whether to perform area settings is displayed.
 - If you want to limit the range of cleaning, tap on [Go to Area Settings]. (See page 40.)



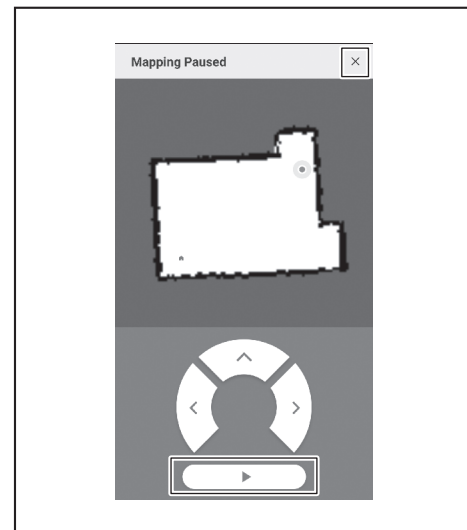
Adding mapping information manually (manual mapping)

During mapping, you can manually add the mapping information with the app. It is recommended when mapping an intricate floor layout.

- Tap on [Pause] and then to display remote control buttons.



- Move the robotic cleaner to trace the floor layout using the remote control buttons of the app or the remote controller.
 - After manually adding the mapping information, tap on to resume automatic mapping.
 - If you want to quit mapping, tap on [x] and then [Go to Home] or press the start point button on the remote controller.

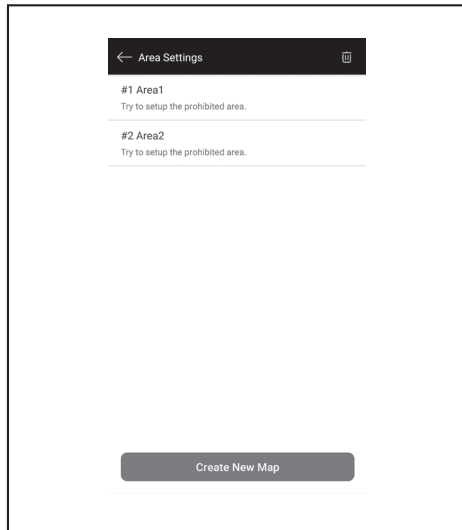


Changing the name of mapping information

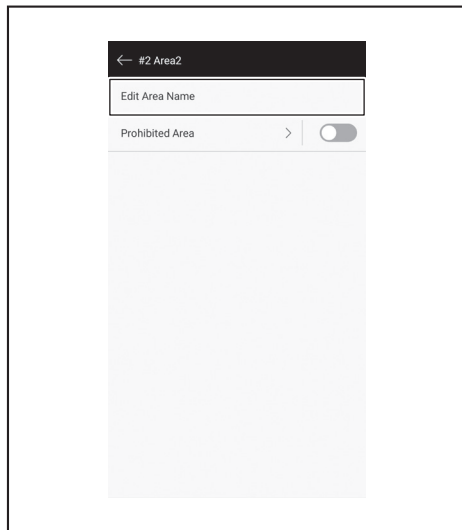
On the [Area Settings] screen, tap on the mapping information you want to change.

You can tap on a name to go to the settings screen.

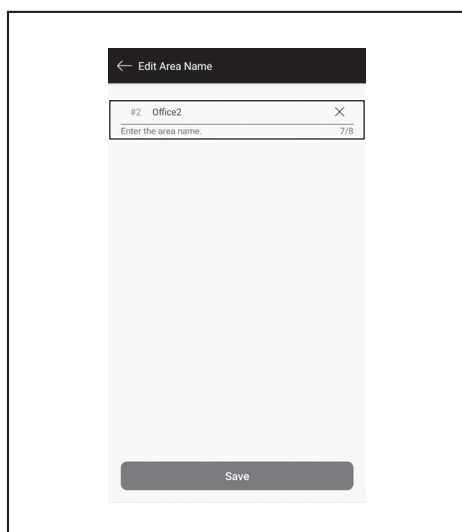
1. On the [Area Settings] screen, tap on the mapping information you want to change.



2. Tap on [Edit Area Name].



3. Edit the name (Up to 8 characters).



4. Tap on [Save] to finalize the name.

Limiting the range of cleaning

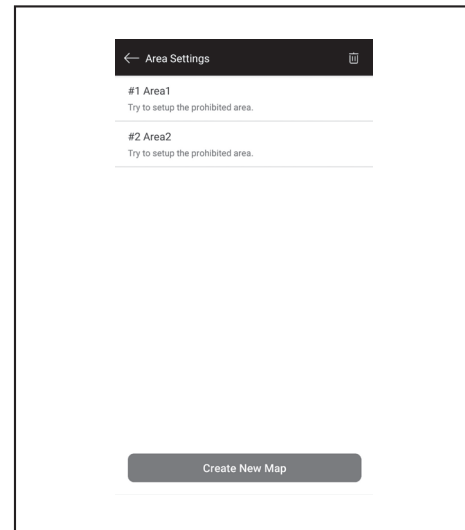
⚠ WARNING

Do not use the cleaning prohibited area configured by the app as a boundary line of an area where an accident can possibly happen due to intrusion or fall.

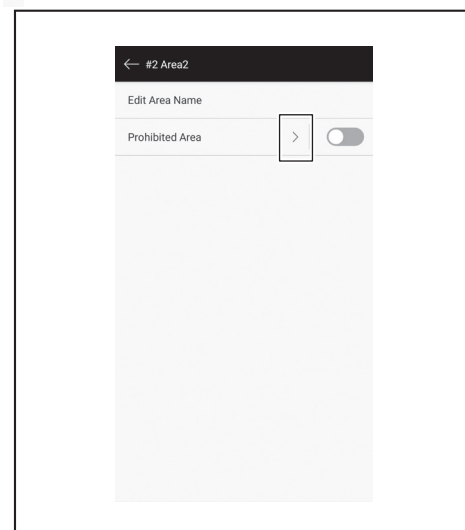
- Doing so can cause an accident or injury due to intrusion or fall of the robotic cleaner. The actual trajectory of the robotic cleaner may be slightly different from the cleaning prohibited area setting.

For an area with a risk of intrusion or fall of the robotic cleaner, place an object serving as a wall with a height of 25 cm (9-7/8") or more (an object that does not move or fall over when hit by the robotic cleaner) on a flat surface. (See page 10.)




1. On the [Area Settings] screen, tap on the mapping information you want to change.

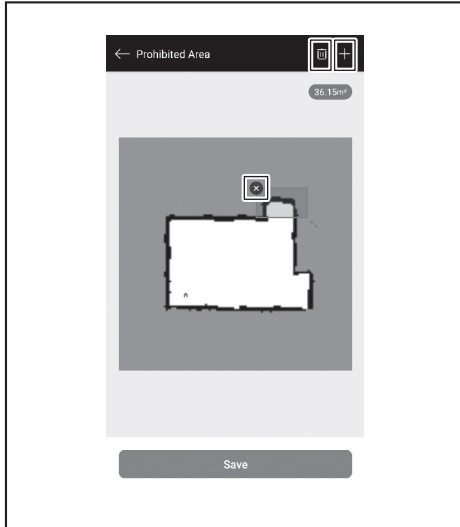


2. Tap on > at the side of [Prohibited Area].



3. Set a cleaning prohibited area.

- You can tap on  at the upper right corner of the screen to add a cleaning prohibited area (up to 100 areas).
- You can drag a cleaning prohibited area to move it.
- You can drag the lower right corner of a cleaning prohibited area to adjust the size.
- You can tap on  at the upper left corner of a cleaning prohibited area to delete the cleaning prohibited area.
- You can tap on  at the upper right corner of the screen to delete all of the cleaning prohibited areas.
- You cannot set a cleaning prohibited area within a 2 m (6.56 ft) range around the starting point.
- Depending on the environment near a cleaning prohibited area you set, it may not be possible to clean an area around the specified area.

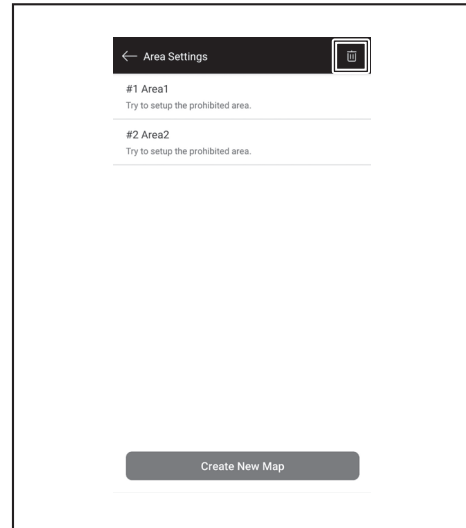


4. Tapping on [Save] results in the modified mapping information being registered.
5. To enable registered cleaning prohibited area, tap on On/Off (colored green when it is On) at the side of [Prohibited Area].

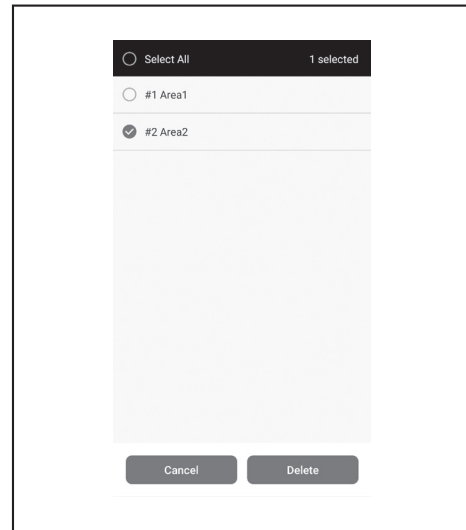


Deleting mapping information

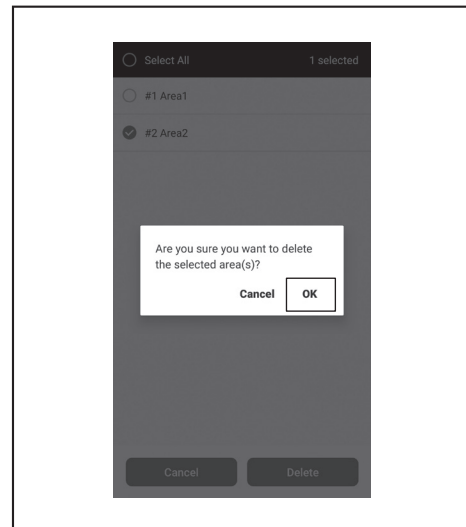
1. On the [Area Settings] screen, tap on .



2. Select the mapping information you want to delete.
- The circle at the head of mapping information is colored when that mapping information is selected.
 - You can tap on [Select All] to select all items.




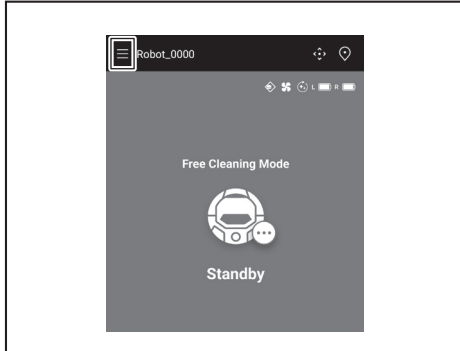
3. Tap on [Delete].
4. A notice is displayed. Tap on [OK].



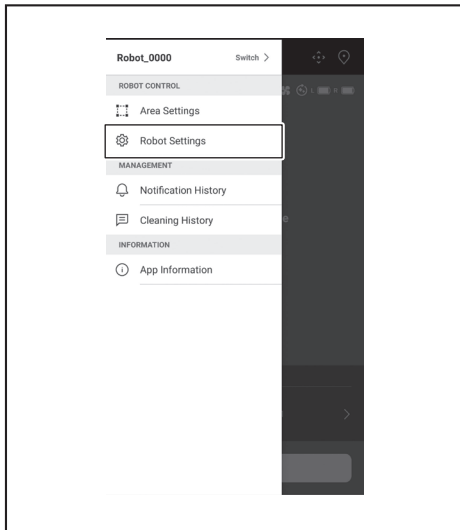
Changing and checking settings

Settings can be changed and checked from [Robot Settings] on the menu window.

1. On the home screen, tap on .



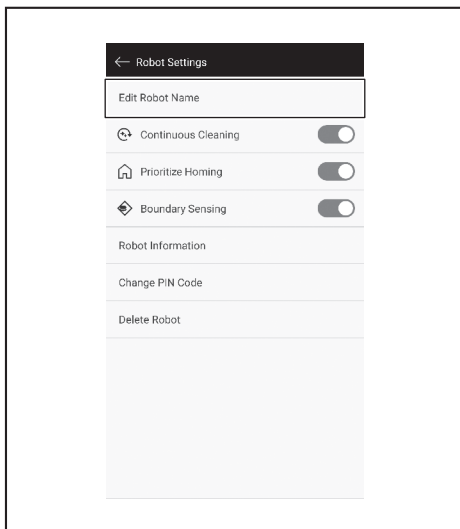
2. Tap on [Robot Settings].



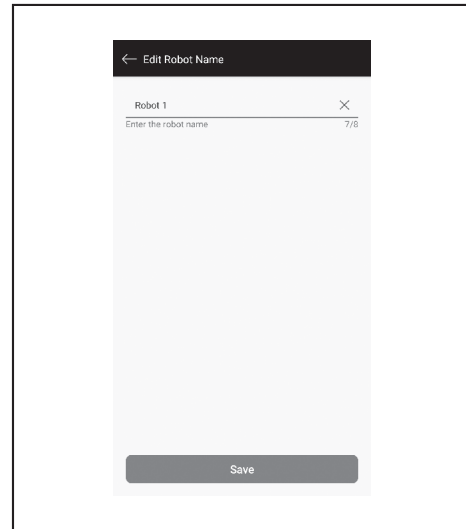
Changing the name of a registered robotic cleaner

This setting only changes the robotic cleaner name in the App. The SSID for Wi-Fi® will not be changed.

1. On the [Robot Settings] screen, tap on [Edit Robot Name].



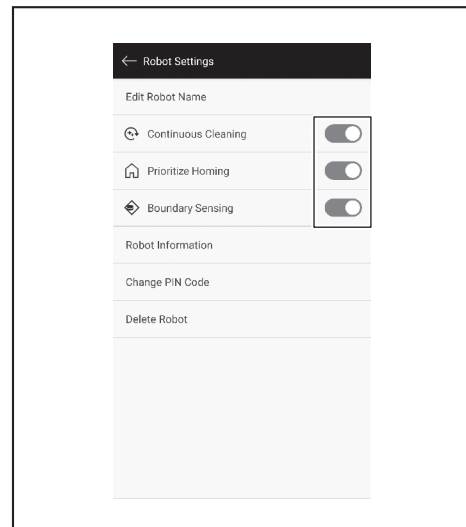
2. Enter a new name (Up to 8 characters).



3. When you have finished entering the name, tap on [Save].

Setting cleaning options

1. On the [Robot Settings] screen, tap on On/Off (colored green when it is On) at the side of [Continuous Cleaning] or [Prioritize Homing] if needed.
 - [Continuous Cleaning]: Select this option when the battery capacity is lost before the robotic cleaner cleans all of the cleaning area and you want to resume cleaning the area left uncleaned the next time.
 - [Prioritize Homing]: This setting is recommended when the robotic cleaner often fails to go back to the starting point of cleaning. The robotic cleaner begins to return to the starting point of cleaning, provided that there is more remaining battery capacity than usual.
 - [Boundary Sensing]: Select this option when using the magnetic boundary line. The robotic cleaner detects the magnetic boundary line as the boundary. (See page 20.)

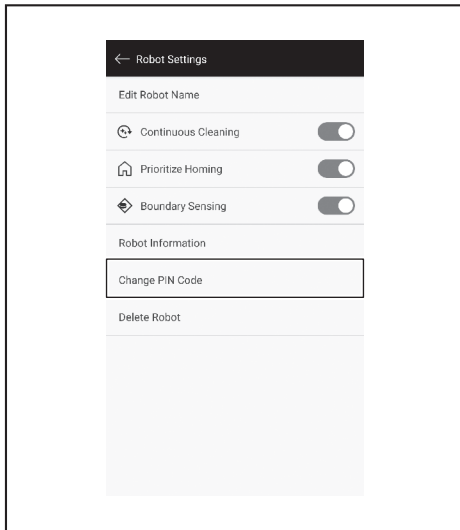


Changing the PIN code

The PIN code of the robotic cleaner can be changed. If you forget the PIN code you set, refer to "Resetting the settings" on page 23 for resetting the robotic cleaner to the factory defaults.

To check the factory default PIN code, refer to "Initial setting" on page 33.

1. On the [Robot Settings] screen, tap on [Change PIN Code].



2. Enter the current PIN code (eight digits).

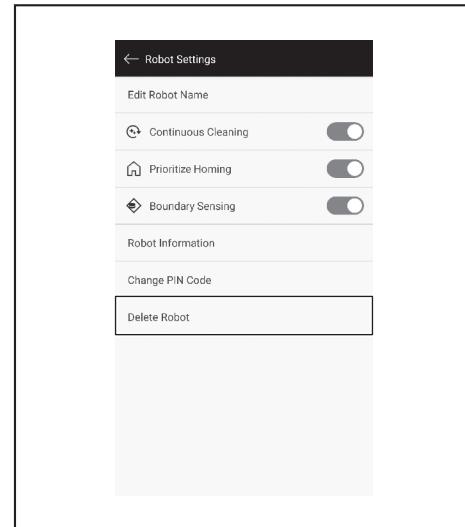


3. Enter the new PIN code (eight digits) you want to set.
Enter the new PIN code two times in a row.

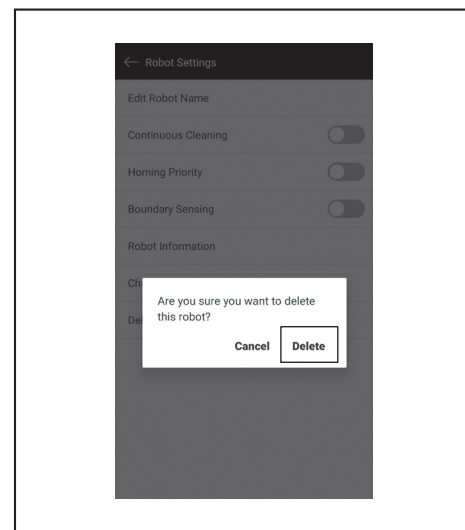


Deleting a registered robotic cleaner's information


1. On the [Robot Settings] screen, tap on [Delete Robot].

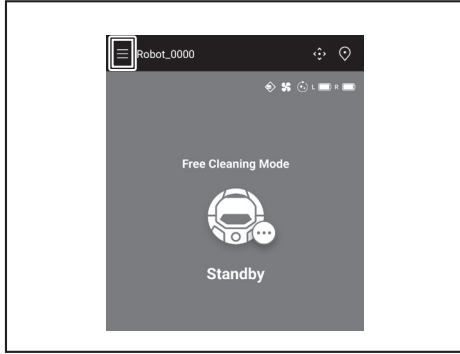


2. A dialog appears to confirm the deletion. Tap on [Delete] to finalize the deletion.

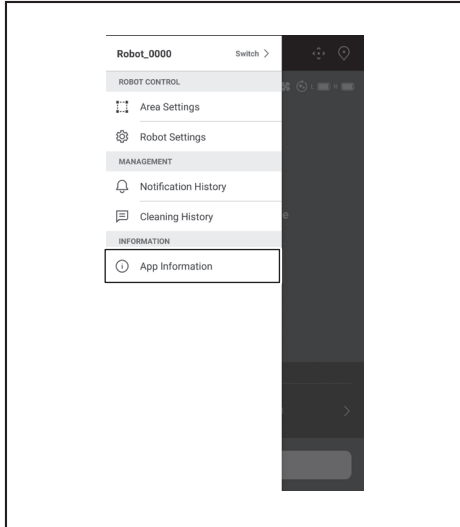


Checking the app information

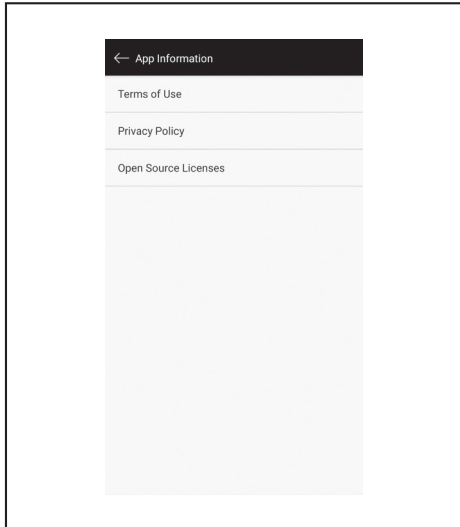
1. On the home screen, tap on .



2. Tap on [App Information].

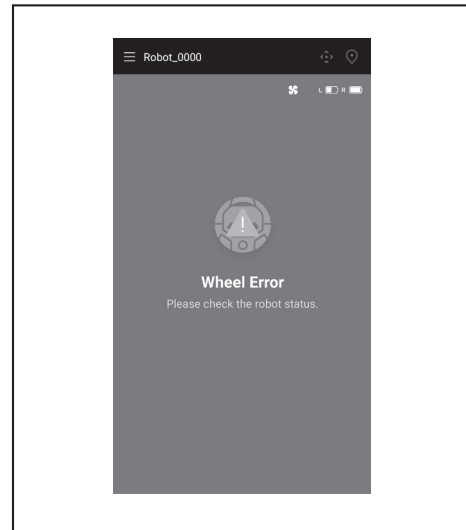
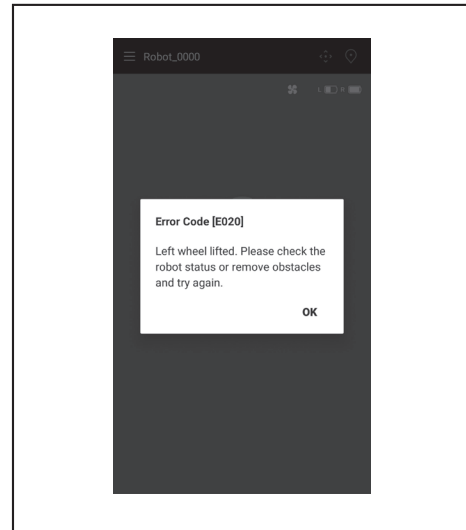


3. Tap on the information you want to check.



Error message/dialogue

When an error has occurred, an error message or dialogue is displayed. Follow the instruction in the message or dialogue in this case.



Appendix

Notice Regarding Open Source Software

This product includes open source software (hereinafter referred to as "Open Source Software") under the GNU General Public License (GPL), the GNU Lesser General Public License (LGPL), and other licenses.

Details regarding licenses for the Open Source Software (notification of copyright holders and licenses) are disclosed free of charge on the following website. In addition, the source code for the Open Source Software released by us under these licenses is also disclosed free of charge on the following website.

<https://oss.makita.biz/index.html>

- Please refrain from making inquiries regarding the source code for the Open Source Software.
- We make no warranties of any kind with respect to the Open Source Software. However, this notice does not limit our warranty coverage for product defects (including defects caused by the Open Source Software).

For United States

This device complies with part 15 of FCC Rules and Industry Canada's licence-exempt RSSs. Operation is subject to the following two conditions: (1) this device may not cause harmful interference, and (2) this device must accept any interference received, including interference that may cause undesired operation.

FCC Caution

Changes or modifications not expressly approved by the party responsible for compliance could void the user's authority to operate the equipment.

This equipment complies with FCC/IC radiation exposure limits set forth for an uncontrolled environment and meets the FCC radio frequency (RF) Exposure Guidelines. This equipment should be installed and operated keeping the radiator at least 20cm or more away from person's body.

This transmitter must not be co-located or operated in conjunction with any other antenna or transmitter.

Wi-Fi module	Module Name	LCW-006
	Power Output/Frequency Range	2412.0 - 2462.0 MHz/17.48 dBm (EIRP) 2422.0 - 2452.0 MHz/13.75 dBm (EIRP)
Bluetooth module	Module Name	T007-MA-MD
	Power Output/Frequency Range	2402.0 - 2480.0 MHz /2.239 mW (2.5 dBm)
Remote controller	Module Name	C011
	Power Output/Frequency Range	2402.0 - 2480.0 MHz/2.884 mW (3 dBm)

Remote controller only

NOTE: This equipment has been tested and found to comply with the limits for a Class B digital device, pursuant to part 15 of the FCC Rules. These limits are designed to provide reasonable protection against harmful interference in a residential installation. This equipment generates, uses and can radiate radio frequency energy and, if not installed and used in accordance with the instructions, may cause harmful interference to radio communications. However, there is no guarantee that interference will not occur in a particular installation. If this equipment does cause harmful interference to radio or television reception, which can be determined by turning the equipment off and on, the user is encouraged to try to correct the interference by one or more of the following measures:

- Reorient or relocate the receiving antenna.
- Increase the separation between the equipment and receiver.
- Connect the equipment into an outlet on a circuit different from that to which the receiver is connected.
- Consult the dealer or an experienced radio/TV technician for help.

Makita U.S.A. Inc.
14930 Northam Street, La Mirada, CA 90638-5753, USA
+1-(714) 522-8088

For Canada

This device contains licence-exempt transmitter(s)/receiver(s) that comply with Innovation, Science and Economic Development Canada's licence-exempt RSS(s). Operation is subject to the following two conditions:

1. This device may not cause interference.
2. This device must accept any interference, including interference that may cause undesired operation of the device.

This equipment complies with ISED radiation exposure limits set forth for an uncontrolled environment and meets RSS-102 of the ISED radio frequency (RF) Exposure rules. This equipment should be installed and operated keeping the radiator at least 20cm or more away from person's body.

L'émetteur/récepteur exempt de licence contenu dans le présent appareil est conforme aux CNR d'Innovation, Sciences et Développement économique Canada applicables aux appareils radio exempts de licence. L'exploitation est autorisée aux deux conditions suivantes :

1. L'appareil ne doit pas produire de brouillage;
2. L'appareil doit accepter tout brouillage radioélectrique subi, même si le brouillage est susceptible d'en compromettre le fonctionnement.

Cet équipement est conforme aux limites d'exposition aux rayonnements énoncées pour un environnement non contrôlé et respecte les règles d'exposition aux fréquences radioélectriques (RF) CNR-102 de l'ISDE. Cet équipement doit être installé et utilisé en gardant une distance de 20 cm ou plus entre le radiateur et le corps humain.

Wi-Fi module	Module Name	LCW-006
	Power Output/Frequency Range	2412.0 - 2462.0 MHz/17.48 dBm (EIRP) 2422.0 - 2452.0 MHz/13.75 dBm (EIRP)
Bluetooth module	Module Name	T007-MA-MD
	Frequency Range/Power	2402.0 - 2480.0 MHz /2.239 mW (2.5 dBm)
Remote controller	Module Name	C011
	Frequency Range/Power	2402.0 - 2480.0 MHz/2.884 mW (3 dBm)

FRANÇAIS

Table des matières

• CONSIGNES DE SÉCURITÉ IMPORTANTES -----	2	• Annexe -----	47
• À propos de l'aspirateur robot -----	2	• Avis au sujet des logiciels à source ouverte -----	47
• Caractéristiques principales -----	2	• Pour les États-Unis -----	47
• Batterie et chargeur applicables -----	2	• Pour le Canada -----	47
• Utilisation prévue -----	3		
• Symboles -----	3		
• Précautions de sécurité -----	3		
• Précautions de sécurité relatives à l'utilisation de l'aspirateur robot -----	4		
• Précautions relatives aux ondes radio -----	8		
• Marques respectives et déposées -----	8		
• Nom des pièces -----	9		
• Accessoires standards -----	10		
• Préparation avant le nettoyage -----	11		
• À propos du transport de l'aspirateur robot -----	11		
• À propos du nettoyage avec l'aspirateur robot -----	11		
• Pour prévenir la chute de l'aspirateur robot -----	11		
• Rangement d'une pièce à nettoyer -----	12		
• Préparation avant utilisation -----	14		
• Fixation des brosses latérales -----	14		
• Retrait de la boîte à poussière -----	14		
• Insertion des piles dans la télécommande -----	14		
• Indication de la charge restante de la batterie -----	15		
• Installation et retrait des batteries (vendues séparément) -----	15		
• Mise sous tension/hors tension -----	16		
• Configuration avant le nettoyage -----	16		
• Utilisation -----	17		
• Nettoyage -----	17		
• Nettoyage d'une pièce avec la cartographie -----	17		
• Suppression des informations cartographiques -----	18		
• Interruption ou fin du nettoyage -----	19		
• Activation/désactivation du ventilateur d'aspiration -----	19		
• Utilisation de la fonction de localisation par signal lumineux -----	19		
• Utilisation des minuteries ON/OFF -----	19		
• Contrôle de la plage de nettoyage -----	21		
• Fixation, retrait et utilisation des articles vendus séparément -----	22		
• Mise au rebut des déchets -----	22		
• Réglage de l'aspirateur robot -----	23		
• Réglage de l'heure -----	23		
• Réglage du Wi-Fi® (aspirateur robot et téléphone intelligent) -----	23		
• Réglage du son -----	23		
• Réinitialisation des réglages -----	24		
• Entretien -----	25		
• Maintenance -----	25		
• À propos de la réparation -----	28		
• Notification et indication d'erreur -----	29		
• Annulation d'une notification et d'une indication d'erreur -----	29		
• Notification d'entretien requis, etc. -----	29		
• Notification d'erreur -----	29		
• Dépannage -----	31		
• Stockage -----	33		
• Accessoires en option -----	34		
• Application smartphone (pour le DRC300) -----	35		
• Table des matières -----	35		
• Ce que vous pouvez faire avec l'application -----	35		
• Installation de l'application -----	35		
• Écran d'accueil -----	36		
• Nettoyage via l'application -----	36		
• Vérification de l'historique de nettoyage -----	38		
• Ajout, modification ou suppression des informations cartographiques -----	40		
• Modification et vérification des paramètres -----	44		
• Message/boîte de dialogue d'erreur -----	46		

CONSIGNES DE SÉCURITÉ IMPORTANTES

Lorsque vous utilisez un appareil électrique, veuillez toujours à respecter des précautions de base, y compris les suivantes :

LISEZ L'INTÉGRALITÉ DES INSTRUCTIONS AVANT D'UTILISER CET APPAREIL. MISE EN GARDE

Afin de réduire le risque d'incendie, de choc électrique ou de blessure :

1. Ne laissez pas l'appareil inutilisé lorsque la batterie est installée. Lorsque vous n'utilisez pas l'appareil et avant l'entretien, retirez la batterie.
2. N'utilisez pas l'appareil sur des surfaces humides. N'exposez pas l'appareil à la pluie. Conservez l'appareil en intérieur.
3. Ne laissez pas les enfants jouer avec. Faites preuve de vigilance lors d'une utilisation par des enfants ou près d'enfants.
4. Utilisez l'appareil uniquement comme indiqué par ce manuel. Utilisez uniquement les équipements recommandés par le fabricant.
5. N'utilisez pas l'appareil avec une batterie endommagée. S'il ne fonctionne pas comme prévu, est tombé, a été endommagé, est resté à l'extérieur ou a chuté dans de l'eau, envoyez-le à un centre de réparation.
6. Ne manipulez pas la batterie ou l'appareil avec les mains mouillées.
7. Ne placez aucun objet dans les ouvertures. N'utilisez pas l'appareil si l'une des ouvertures est obstruée. Retirez les poussières, les peluches, les cheveux et autres corps étrangers susceptibles de réduire le débit d'air.
8. Tenez les cheveux, les vêtements larges, les doigts et toute autre partie du corps éloignés des ouvertures et des parties mobiles.
9. Désactivez toutes les commandes avant de retirer la batterie.
10. N'utilisez pas l'appareil pour ramasser des liquides inflammables ou combustibles, comme de l'essence, et ne l'utilisez pas dans des zones où il pourrait y en avoir.
11. Utilisez uniquement le chargeur fourni par le fabricant pour recharger.
12. Ne ramassez aucun élément en combustion ou émettant de la fumée, par exemple des cigarettes, des allumettes ou des cendres chaudes.
13. N'utilisez pas l'appareil sans la boîte à poussière et les filtres. Si la boîte à poussière et le filtre sont endommagés, remplacez-les immédiatement.
14. Cet appareil peut être utilisé par des enfants de 8 ans et plus, ainsi que des personnes dont les capacités physiques, sensorielles ou mentales sont réduites ou qui n'ont pas l'expérience ou les connaissances nécessaires à condition que ce soit sous surveillance ou si des instructions leur ont été données pour qu'ils utilisent l'appareil en toute sécurité et comprennent les risques encourus. Ne laissez pas les enfants jouer avec l'appareil. Les enfants sans surveillance ne doivent pas effectuer le nettoyage ou la maintenance.
15. Éloigner les cordons d'autres appareils de la zone à nettoyer.
16. Ne pas utiliser l'aspirateur dans une pièce où un nourrisson ou un enfant dort.
17. Ne pas utiliser l'aspirateur dans un endroit où il ya des bougies allumées ou des objets fragiles sur le plancher à nettoyer.
18. Ne pas utiliser l'aspirateur dans une pièce où il ya des bougies allumées sur les meubles que l'aspirateur peut heurter ou se cogner accidentellement.
19. Ne pas laisser les enfants s'asseoir sur l'aspirateur.
20. Ne pas utiliser l'aspirateur sur une surface mouillée.

CONSERVEZ CES INSTRUCTIONS.

Cet appareil est prévu pour un usage commercial.

À propos de l'aspirateur robot

Caractéristiques principales

Caractéristique principale		Modèle : DRC300
Tension		18 V CC
Fonctionnement continu*1 *2		Environ 240 minutes
Volume de collecte de poussières		3,0 l
Dimensions		500 mm (L) × 500 mm (l) × 204 mm (H) (19-3/4" (L) × 19-3/4" (l) × 8" (H))
Poids*2		10,6 kg (23,4 lb)
Communication sans fil	Système de communication	1. Entre l'aspirateur robot et la télécommande : Bluetooth 2. Entre l'aspirateur robot et un téléphone intelligent : Wi-Fi® (SoftAP)
	Distance de communication estimée	1. 20 m (65,62 pi) ou moins 2. 10 m (32,81 pi) ou moins
LAN sans fil	Bande de fréquence	2,4 GHz
	Puissance radioélectrique maximale	17,48 dBm (p.i.r.e)
	Normes LAN sans fil	IEEE 802.11 b/g/n
	Méthode de cryptage	WPA/WPA2
	Version WPS	Version 2.0
Bluetooth	Bande de fréquence	2 402,0 - 2 480,0 MHz
	Puissance radioélectrique maximale	Télécommande : -4 dBm (p.i.r.e)
	Plage de transmission	Environ 10 m (32,81 pi)
	Version Bluetooth®	4.2 (Bluetooth basse consommation, BLE)
Sortie laser	Longueur d'onde	775 - 800 nm
	Sortie	1 mW ou moins (IEC 60825-1:2014 Classe laser 1)

- Veuillez noter que les caractéristiques principales, la forme et d'autres caractéristiques sont susceptibles d'être modifiées à des fins d'amélioration.
 - Le capteur LiDAR de ce produit est un produit laser de classe 1, conformément à la définition de la norme internationale IEC 60825-1:2014 sur la sécurité des produits laser.
- *1. Lors d'une utilisation sur un sol lisse, par exemple des dalles en vinyle, avec le ventilateur d'aspiration activé. La durée de fonctionnement varie selon les conditions de l'environnement d'exploitation, le type de sol, l'état de la batterie, la température ambiante, etc. De plus, la durée de fonctionnement peut diminuer dans des environnements à basse température du fait des caractéristiques de la batterie lithium-ion.
- *2. Lors d'une utilisation avec deux batteries BL1860B.

Batterie et chargeur applicables

Batterie	BL1815N, BL1820B, BL1830B, BL1840B, BL1850B, BL1860B
Chargeur	DC18RC, DC18RD, DC18RE, DC18SD, DC18SE, DC18SF, DC18SH, DC18WC

- Certains modèles de batteries et de chargeurs peuvent être indisponibles selon votre région.

⚠ MISE EN GARDE

Utilisez uniquement les batteries et les chargeurs indiqués ci-dessus. L'utilisation d'autres batteries et chargeurs risque de provoquer des blessures et/ou un incendie.

À propos des sources d'alimentation filaires









Vous ne pouvez pas utiliser de sources d'alimentation filaires avec ce produit. Elles risqueraient de provoquer des blessures ou un accident.

Utilisation prévue

Ce produit est un aspirateur robot prévu pour le nettoyage des sols en intérieur. Vous pouvez effectuer certaines opérations et certains réglages avec la télécommande et l'application dédiée.

Symboles

Vous trouverez ci-dessous les symboles susceptibles d'être utilisés pour l'équipement. Assurez-vous de comprendre ce qu'ils signifient avant l'utilisation.

	volts
	courant direct
	Lisez le manuel d'instructions.
	Faites preuve d'une grande vigilance.
	Une batterie représentative applicable à ce produit.
	Ne placez pas d'objets et ne marchez pas sur l'aspirateur robot.
	N'utilisez pas l'aspirateur robot près d'une flamme nue ou de matériaux inflammables et/ou dangereux.
	Nettoyez les capteurs d'obstacles verticaux situés sous l'appareil s'ils sont sales ou mouillés.


Précautions de sécurité



À propos de la signification de  MISE EN GARDE,  ATTENTION et  AVIS dans les précautions


Les considérations d'utilisation de ce produit sont classées en

 MISE EN GARDE,  ATTENTION et  AVIS.

Vous trouverez leurs définitions respectives ci-dessous.

 **MISE EN GARDE** : Une précaution indiquant un risque de blessure grave ou mortelle en cas de mauvaise manipulation du produit.

 **ATTENTION** : Une précaution indiquant un risque de blessure ou de dommages matériels en cas de mauvaise manipulation du produit. Notez qu'un point désigné par  ATTENTION peut avoir de graves conséquences selon la situation. Veuillez à respecter ces précautions, car elles sont toutes importantes à l'égard de la sécurité.

 **AVIS** : Précautions importantes pour la manipulation du produit et de ses accessoires.

- Veuillez à respecter les « Précautions de sécurité » pour éviter tout accident tel qu'un incendie, un choc électrique ou des blessures.
- Avant d'utiliser ce produit, lisez intégralement et attentivement ces « Précautions de sécurité » pour assurer une utilisation correcte.
- Après lecture, veuillez à conserver ces informations pour que les utilisateurs puissent s'y référer ultérieurement.
- Si vous prêtez le produit, joignez-y le manuel d'utilisation.
- Les signes ci-dessous servent à classer et à expliquer certains points à respecter.

Exemples de signes







Ce signe indique quelque chose qui est « interdit », c'est-à-dire que vous ne devez pas faire.







Ce signe indique quelque chose qui est « obligatoire », c'est-à-dire que vous devez toujours faire.



Ces illustrations sont fournies à titre de référence. Leur aspect peut varier selon le produit.

 MISE EN GARDE	
Ne lavez pas le produit dans de l'eau. N'utilisez pas ce produit sur une surface humide ou mouillée, par exemple dans une salle de bain. <ul style="list-style-type: none">• De l'eau en contact avec le moteur pourrait provoquer un court-circuit, un dégagement de chaleur ou un embrasement.• Vous pouvez nettoyer certains composants avec de l'eau. Reportez-vous à « Entretien » à la page 25.	
Ne démontez, ne réparez et ne modifiez jamais le produit. <ul style="list-style-type: none">• Vous risqueriez de provoquer un embrasement ou un fonctionnement anormal, ce qui pourrait causer des blessures.	
Ne laissez pas les enfants jouer avec ce produit ou le chargeur. <ul style="list-style-type: none">• Un seul moment d'inattention peut entraîner de graves blessures.	
N'utilisez pas ce produit en extérieur.	
N'utilisez pas ce produit sur une surface instable, par exemple des escaliers ou une pente raide. <ul style="list-style-type: none">• Ce produit risque de basculer ou de chuter et de provoquer des blessures.	
N'utilisez pas d'équipements autres que les accessoires spécifiés et vendus séparément par Makita. <ul style="list-style-type: none">• L'utilisation d'équipements autres que les accessoires et les équipements vendus séparément indiqués dans ce manuel de l'utilisateur et notre catalogue peuvent provoquer un accident ou des blessures.	
Ne placez pas ce produit à proximité de flammes, d'appareils chauffants, etc. <ul style="list-style-type: none">• La déformation du produit risquerait de provoquer un court-circuit ou un embrasement.	
N'utilisez pas le produit et ne chargez pas la batterie à proximité de substances inflammables (essence, benzène, diluant, gaz, etc.). <ul style="list-style-type: none">• Cela risquerait de provoquer une explosion ou un incendie.	
Ne stockez pas ce produit à un endroit où la température peut atteindre 50 °C (122 °F) (boîte métallique, dans une voiture en été, etc.). <ul style="list-style-type: none">• La déformation de ce produit pourrait provoquer un court-circuit ou un embrasement.• La batterie risque de se détériorer et d'émettre la fumée ou de provoquer un embrasement.	
Ne chargez pas dans les conditions suivantes, car cela risquerait de provoquer un incendie. <ul style="list-style-type: none">• Sur du papier comme du carton ondulé, des tissus tels qu'un coussin, un tapis, du vinyle, etc.• Un chargeur avec des orifices d'aération est utilisé mais ces orifices sont obstrués pendant la charge. Ou des objets en métal ou combustibles sont insérés dans les orifices d'aération.• Dans un endroit poussiéreux, par exemple avec de la poussière de coton.	
Ne chargez pas sous la pluie, ne retirez pas/n'insérez pas la fiche d'alimentation ou la batterie avec les mains mouillées. Empêchez tout contact entre la borne du chargeur et des corps étrangers, par exemple des morceaux de métal ou de l'eau. <ul style="list-style-type: none">• Sinon, ils pourraient provoquer un choc électrique ou des blessures.	
Utilisez uniquement le chargeur dédié. <ul style="list-style-type: none">• Sinon, cela pourrait provoquer une fuite, une surchauffe ou une rupture de la batterie.• Utilisez le chargeur uniquement pour charger.	
Utilisez le chargeur uniquement pour charger. N'utilisez pas la batterie et le chargeur pour un équipement autre que celui spécifié par Makita.	



 MISE EN GARDE 
<p>Manipulez le cordon du chargeur avec soin.</p> <ul style="list-style-type: none"> Ne transportez pas le chargeur en le tenant par le cordon et ne tirez pas sur le cordon pour déconnecter de la prise électrique. Protégez le cordon de la chaleur, de l'huile, des produits chimiques et des angles saillants. Choisissez soigneusement le lieu de charge afin d'éviter que quelqu'un marche sur le cordon, s'y accroche ou que ce dernier soit endommagé par une force excessive. Cela pourrait provoquer un choc électrique ou un court-circuit et entraîner un embrasement.
<p>Ne l'utilisez pas si le cordon du chargeur est endommagé ou si la fiche d'alimentation n'est pas insérée fermement.</p> <ul style="list-style-type: none"> Cela pourrait provoquer un choc électrique, un court-circuit ou un embrasement.
<p>La partie du chargeur destinée au montage de la batterie dispose d'une borne de charge. Empêchez tout contact entre la borne de charge et des corps étrangers, par exemple des morceaux de métal ou de l'eau.</p>
<p>Ne couvrez pas la batterie et le chargeur avec un chiffon ou autre pendant la charge.</p> <ul style="list-style-type: none"> Chargez la batterie dans un endroit bien aéré. Sinon, elle pourrait chauffer, se rompre ou s'embraser.


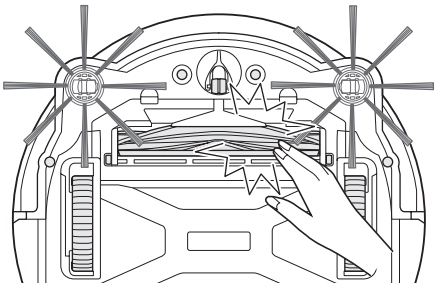
 MISE EN GARDE 
<p>Veillez à mettre hors tension et à retirer les batteries avant le nettoyage et l'inspection pour éviter tout démarrage accidentel de ce produit.</p>
<p>Lorsque vous introduisez la batterie dans ce produit, veillez à ne pas le démarrer.</p> <ul style="list-style-type: none"> Lorsque vous installez la batterie dans une situation où le produit risque de démarrer (par exemple, si vous laissez le doigt sur le bouton marche/arrêt), ce produit risque de bouger brusquement et de provoquer un accident.
<p>En cas de chute ou de collision, vérifiez bien si ce produit est endommagé, fissuré ou déformé.</p> <ul style="list-style-type: none"> Les dommages, les fissures et les déformations peuvent provoquer des blessures.
<p>Manipulez ce produit délicatement pour éviter de le déformer ou de l'endommager.</p> <ul style="list-style-type: none"> Les dommages, les fissures et les déformations peuvent provoquer des blessures.
<p>Si ce produit ne fonctionne pas correctement ou s'il émet un bruit anormal pendant l'utilisation, arrêtez-le immédiatement et cessez de l'utiliser. Ensuite, contactez le magasin où vous avez acheté le produit ou notre bureau de vente pour organiser une inspection et les réparations nécessaires.</p> <ul style="list-style-type: none"> Si vous continuez à utiliser le produit, cela risque de provoquer des blessures ou un accident.
<p>Vérifiez si certaines pièces sont endommagées.</p> <ul style="list-style-type: none"> Avant d'utiliser le produit, vérifiez bien si des composants sont endommagés et si le produit fonctionne correctement et conformément à sa finalité. Vérifiez que les parties mobiles se positionnent et se serrent correctement. Vérifiez également que les composants ne sont pas endommagés et qu'ils s'ajustent correctement. Puis, vérifiez toutes les autres zones susceptibles d'influencer le fonctionnement pour repérer toute anomalie. Reportez-vous au manuel de l'utilisateur pour le remplacement et la réparation de composants endommagés. Si rien n'est mentionné dans le manuel de l'utilisateur, contactez le magasin où vous avez effectué l'achat ou notre bureau de vente pour organiser une réparation.



 MISE EN GARDE 
<p>Veillez à maintenir ce produit en bon état.</p> <ul style="list-style-type: none"> Reportez-vous au manuel de l'utilisateur pour le remplacement des accessoires. Inspectez régulièrement le cordon du chargeur et s'il est endommagé, contactez le magasin où vous avez effectué l'achat ou notre bureau de vente pour organiser une réparation. Cela pourrait provoquer un choc électrique ou un court-circuit et entraîner un embrasement. Lorsque vous utilisez une rallonge pour la charge, inspectez-la régulièrement et si elle est endommagée, remplacez-la. Cela pourrait provoquer un choc électrique ou un court-circuit et entraîner un embrasement. Assurez-vous toujours que la poignée de transport est propre et sèche et protégez-la de tout contact avec de l'huile, de la graisse, etc.
<p>Lorsque vous n'utilisez pas ce produit, rangez-le dans un endroit approprié.</p> <ul style="list-style-type: none"> Conservez-le dans un endroit sec et sécurisé, hors de portée des enfants ou pouvant être verrouillé. Sinon, un accident pourrait survenir.
<p>Lorsqu'il n'est pas utilisé pour la charge, retirez le chargeur de la prise électrique.</p> <ul style="list-style-type: none"> Si un choc électrique, une fuite de courant ou un incendie pourraient survenir à cause d'une détérioration de l'isolation.
<p>Si vous remarquez une chaleur anormale ou d'autres anomalies pendant la charge, retirez immédiatement la fiche d'alimentation du chargeur pour arrêter la charge.</p> <ul style="list-style-type: none"> Si vous laissez la charge se poursuivre, cela risque de provoquer de la fumée, un embrasement ou une rupture.


 ATTENTION 
<p>Fixez correctement les accessoires, conformément au manuel de l'utilisateur.</p> <ul style="list-style-type: none"> Si vous ne les fixez pas correctement, cela peut provoquer des blessures, des dommages ou un accident.
<p>Lorsque vous transportez ce produit, tenez-le toujours par sa poignée de transport.</p> <ul style="list-style-type: none"> Si vous le transportez en le tenant par tout élément autre que la poignée de transport, cela risque de provoquer des dommages ou des blessures.


Précautions de sécurité relatives à l'utilisation de l'aspirateur robot


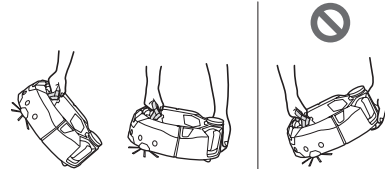
 MISE EN GARDE 
<p>N'utilisez pas ce produit dans un endroit en hauteur sans barrière ou dans un lieu étroit, par exemple des escaliers.</p> <ul style="list-style-type: none"> Ce produit pourrait tomber et provoquer des blessures ou être endommagé.
<p>N'utilisez pas ce produit dans un endroit où des composants huileux, par exemple de l'huile comestible, flottent dans l'air, où des aérosols et des produits chimiques sont utilisés comme dans un salon de barbier ou de beauté, un atelier de nettoyage ou en extérieur.</p> <ul style="list-style-type: none"> Cela risquerait de provoquer une défaillance.
<p>N'utilisez pas ce produit en présence d'une personne dans l'incapacité de l'utiliser correctement, par exemple un bébé ou un jeune enfant.</p> <ul style="list-style-type: none"> Cela pourrait provoquer un choc électrique, un accident ou des blessures.
<p>N'utilisez pas ce produit en présence d'un animal, etc.</p> <ul style="list-style-type: none"> Cela pourrait provoquer un choc électrique, un accident ou des blessures.
<p>N'utilisez pas ce produit en présence de nombreuses personnes ou dans un endroit très fréquenté.</p> <ul style="list-style-type: none"> Cela pourrait provoquer un choc électrique, un accident ou des blessures.


⚠ MISE EN GARDE	
<p>N'obstruez pas l'ouverture d'évacuation et l'ouverture d'aspiration, et n'insérez pas d'objets métalliques ou inflammables, etc.</p> <ul style="list-style-type: none"> Cela pourrait provoquer un choc électrique, un embrasement ou une défaillance. 	
<p>N'utilisez pas ce produit près d'un objet susceptible d'obstruer l'ouverture d'aspiration.</p> <ul style="list-style-type: none"> Cela pourrait provoquer un choc électrique, un embrasement ou une défaillance. 	
<p>Ne chauffez pas ce produit et ne le lancez pas dans un feu.</p> <ul style="list-style-type: none"> Cela peut provoquer un court-circuit, un embrasement, une fuite de liquide ou une explosion. 	
<p>Ne placez pas ce produit dans un endroit soumis à des températures élevées, par exemple près d'un feu ou d'un radiateur, exposé à la lumière directe du soleil ou dans une voiture en plein soleil.</p> <ul style="list-style-type: none"> Cela peut provoquer un court-circuit, un embrasement, une fuite de liquide ou une explosion. 	
<p>Ne posez pas d'objets sur ce produit.</p> <ul style="list-style-type: none"> Cela pourrait provoquer une surchauffe et un embrasement. 	
<p>N'exposez pas ce produit à la lumière directe du soleil.</p> <ul style="list-style-type: none"> Cela pourrait perturber le capteur LiDAR et le capteur infrarouge, provoquant un dysfonctionnement ou une défaillance. 	
<p>N'obstruez pas les capteurs de ce produit et n'y insérez aucun objet.</p> <ul style="list-style-type: none"> Cela pourrait provoquer une mauvaise utilisation, un dysfonctionnement ou une défaillance. 	
<p>N'apposez pas d'autocollant ou de ruban adhésif sur les capteurs et les roues.</p> <ul style="list-style-type: none"> Cela pourrait provoquer un dysfonctionnement ou une défaillance. 	
<p>Ne vous asseyez pas sur ce produit, ne posez pas d'objet lourd dessus et ne le soumettez à aucun choc violent.</p> <ul style="list-style-type: none"> Cela pourrait endommager ce produit ou provoquer des défaillances ou des blessures. Faites preuve d'une grande vigilance à proximité d'enfants. 	
<p>Pendant le fonctionnement, ne touchez pas les roues motrices et ne mettez pas la main ou le pied sous ce produit.</p> <ul style="list-style-type: none"> Vous pourriez vous blesser la main, etc. Faites preuve d'une grande vigilance à proximité d'enfants. 	
	
<p>Ne laissez pas un enfant se servir seul de ce produit. Les personnes qui ne sont pas en mesure d'exprimer leur volonté ou d'utiliser ce produit seules ne doivent pas s'en servir.</p> <ul style="list-style-type: none"> Cela pourrait provoquer un choc électrique, un accident ou des blessures. 	
<p>Ne versez pas d'eau ou de détergent sur ce produit et ne le lavez pas (à l'exception de la brosse principale, de la brosse latérale, de la boîte à poussière et du filtre).</p> <ul style="list-style-type: none"> Cela pourrait provoquer un choc électrique, un court-circuit ou un embrasement. 	
<p>Ne touchez pas le produit avec les mains mouillées.</p> <ul style="list-style-type: none"> Cela pourrait provoquer un choc électrique. 	
<p>N'utilisez pas une ligne de limite magnétique déchirée, déformée ou semblant avoir perdu sa force magnétique.</p> <ul style="list-style-type: none"> Cela pourrait provoquer un accident ou des blessures. 	
<p>Maintenez certaines parties de votre corps, par exemple les mains et les cheveux, ainsi que ce que vous portez, éloignés de l'ouverture d'aspiration et de l'ouverture d'évacuation de ce produit.</p> <ul style="list-style-type: none"> Cela pourrait provoquer des blessures. 	

⚠ MISE EN GARDE	
<p>Évitez tout contact entre certaines parties de votre corps, par exemple les mains et les cheveux, ainsi que ce que vous portez, et une brosse en rotation.</p> <ul style="list-style-type: none"> Sinon, cela risque de provoquer des blessures. 	
<p>N'aspirez aucun des éléments suivants avec ce produit. Cela pourrait provoquer un incendie, des blessures ou une défaillance du moteur.</p> <p>Substances inflammables</p> <ul style="list-style-type: none"> Carburant (kérosène, essence, etc.) Solvants (benzène, diluant, etc.) Objets en combustion (allumette, encens, bougie, cendres chaudes), émettant de la fumée, par exemple des cigarettes ou avec une température élevée. Combustibles tels qu'un toner Peinture Étincelles et poussière métallique, etc. générées lors de la découpe et du meulage de métaux. Gaz inflammable (aérosol, etc.) <p>Substances explosives</p> <ul style="list-style-type: none"> Nitroglycérine, etc. Substances combustibles Aluminium, magnésium, titane, zinc, phosphore rouge, phosphore jaune, cellulose et autres substances chimiques, poussière, gaz et vapeur de gaz <p>Objets tranchants</p> <ul style="list-style-type: none"> Verre, outils à lame, copeaux de bois, métal, pierres, clous, rasoirs, punaises, aiguilles, etc. <p>Substances mousseuses, par exemple les détergents à tapis</p> <p>Les substances qui se solidifient et les fines poudres conductrices (poudre métallique, carbone)</p> <p>Agents de déshumidification</p> <p>Grandes quantités de poudre (farine, cendre, poudre d'un extincteur, etc.)</p> <p>Substances provoquant des symptômes d'empoisonnement</p> <p>Médicaments</p> <p>Déchets liquides et humides</p> <p>Excréments et vomis d'animaux, etc.</p> <p>Déchets papier et plastique en grande quantité, ficelle</p>	
<p>N'utilisez pas le produit dans les conditions suivantes, car cela pourrait provoquer un incendie.</p> <ul style="list-style-type: none"> De grandes quantités de combustibles sont répandues. L'ouverture d'évacuation est bloquée. La boîte à poussière et le filtre ne sont pas fixés. Des déchets sont coincés dans la brosse principale, qui est verrouillée. Le filtre est troué et déchiré. La batterie n'est pas complètement insérée. 	
<p>Ne provoquez pas de court-circuit dans les ports de la section d'alimentation USB (pour une réparation).</p> <ul style="list-style-type: none"> Si vous insérez une aiguille ou du fil métallique dans la section des ports USB, vous risquez de provoquer un court-circuit, un embrasement ou de la fumée. 	
<p>Ne regardez pas directement dans la lumière laser (le faisceau).</p> <ul style="list-style-type: none"> Cela risquerait de provoquer des dommages oculaires. 	
<p>Ce produit étant conforme aux réglementations de sécurité applicables, vous ne devez pas le modifier.</p> <ul style="list-style-type: none"> Si vous effectuez des réparations sans avoir les connaissances ou les compétences requises, le laser risque de dysfonctionner et des accidents ou des blessures peuvent survenir. 	
<p>N'utilisez pas de produits rechargeables près de lignes d'alimentation haute tension.</p> <ul style="list-style-type: none"> Il y a un risque de dysfonctionnement ou de défaillance. 	
⚠ MISE EN GARDE	
<p>Cessez d'utiliser le produit s'il s'arrête parfois de fonctionner bien qu'il soit sous tension.</p> <ul style="list-style-type: none"> Sinon, cela pourrait provoquer une émission de fumée, un embrasement ou un choc électrique. 	
<p>Si ce produit est déformé ou anormalement chaud, cessez immédiatement de l'utiliser.</p> <ul style="list-style-type: none"> Sinon, cela pourrait provoquer une émission de fumée, un embrasement ou un choc électrique. 	

⚠ MISE EN GARDE 
<p>Si ce produit s'arrête pendant le fonctionnement, cessez de l'utiliser.</p> <ul style="list-style-type: none"> • Sinon, cela pourrait provoquer une émission de fumée, un embrasement ou un choc électrique.
<p>Si ce produit émet un son anormal pendant le fonctionnement, cessez immédiatement de l'utiliser.</p> <ul style="list-style-type: none"> • Sinon, cela pourrait provoquer une émission de fumée, un embrasement ou un choc électrique.
<p>Si ce produit émet une odeur de brûlé, cessez immédiatement de l'utiliser.</p> <ul style="list-style-type: none"> • Sinon, cela pourrait provoquer une émission de fumée, un embrasement ou un choc électrique.
<p>Avant l'utilisation et la maintenance, retirez les bougies allumées, les vases, etc. des tables et des étagères.</p> <ul style="list-style-type: none"> • Sinon, ils risqueraient de tomber à cause d'un choc dû à une collision avec ce produit et pourraient provoquer un accident.
<p>Avant l'utilisation et la maintenance, déplacez les objets, par exemple les élastiques, susceptibles d'être traînés par ce produit.</p> <ul style="list-style-type: none"> • Sinon, ce produit pourrait traîner un élastique, etc. derrière lui et provoquer un accident.
<p>Avant l'utilisation et la maintenance, déplacez les équipements et les appareils dont les commandes sont situées au même niveau que ce produit.</p> <ul style="list-style-type: none"> • Sinon, ce produit pourrait heurter et déclencher accidentellement une commande et provoquer un incendie, des blessures ou un accident.
<p>Avant la maintenance et l'inspection, veillez à mettre ce produit hors tension et à retirer les batteries.</p> <ul style="list-style-type: none"> • Dans le cas contraire, cela pourrait provoquer un choc électrique ou des blessures.
<p>Pendant la maintenance, veillez à ne pas vous coincer les doigts.</p> <ul style="list-style-type: none"> • Cela pourrait provoquer des blessures.
<p>Si vous portez un stimulateur cardiaque implantable ou un défibrillateur implantable, maintenez ce produit à plus de 15 cm (5-7/8") de la zone d'implantation.</p> <ul style="list-style-type: none"> • Les ondes radio risquent de perturber les dispositifs médicaux et de les faire dysfonctionner.
<p>Si vous utilisez un équipement émettant des ondes radio dans un établissement médical, respectez les consignes de cet établissement. Dans les zones où l'utilisation est interdite, mettez ce produit hors tension.</p> <ul style="list-style-type: none"> • Sinon, cela pourrait provoquer un dysfonctionnement des dispositifs médicaux.

⚠ ATTENTION 
<p>Pendant l'utilisation et la maintenance, n'insérez pas de corps étrangers dans les espaces et les ouvertures.</p> <ul style="list-style-type: none"> • Cela pourrait provoquer un choc électrique, un incendie ou une défaillance de ce produit.
<p>N'utilisez pas ce produit sur une moquette à poils longs (plus de 7 mm (9/32")) ou autres tapis de ce type.</p> <ul style="list-style-type: none"> • Les brosses latérales risqueraient de se bloquer et d'être endommagées ou d'abîmer la moquette/le tapis.
<p>N'utilisez pas ce produit sur un tapis fragile (laine de mouton, feutre, etc.), un sol délicat (parquet, marbre, etc.) ou un sol fraîchement ciré.</p> <ul style="list-style-type: none"> • Cela pourrait provoquer des dommages ou des rayures. En cas de dommages, cessez d'utiliser le produit.
<p>Ne montez pas et ne vous asseyez pas sur ce produit.</p> <ul style="list-style-type: none"> • Il pourrait se déplacer brusquement et provoquer une chute et des blessures.
<p>N'utilisez pas ce produit pendant plusieurs heures avec l'ouverture d'aspiration bloquée.</p> <ul style="list-style-type: none"> • Cela pourrait déformer ce produit ou il pourrait s'embraser à cause d'une surchauffe.
<p>Ne mettez pas les mains ou les pieds sous ce produit.</p> <ul style="list-style-type: none"> • Vos doigts ou vos orteils risqueraient de se coincer et d'être blessés.

⚠ ATTENTION 
<p>Cessez d'utiliser ce produit si le filtre est sale ou si de la poussière s'y est accumulée.</p> <ul style="list-style-type: none"> • Cela pourrait réduire la puissance d'aspiration.
<p>Ne tenez pas ce produit en orientant sa partie avant vers le bas.</p> <ul style="list-style-type: none"> • De la poussière pourrait tomber de l'ouverture d'aspiration.


⚠ ATTENTION 
<p>Afin d'éviter tout dysfonctionnement, vérifiez que chaque capteur est propre et en bon état.</p> <ul style="list-style-type: none"> • Une mauvaise réponse d'un capteur pourrait provoquer un dysfonctionnement ou une chute du produit et donc des blessures ou une défaillance.
<p>Vérifiez que les longues franges des tapis, etc. sont rentrées.</p> <ul style="list-style-type: none"> • Les franges risquent de se coincer dans les roues motrices et/ou la brosse principale, ce qui pourrait endommager les tapis et ce produit.
<p>Avant de transporter ce produit, arrêtez-le et mettez-le hors tension. Tenez fermement la poignée de transport afin de ne pas vous coincer les mains.</p> <ul style="list-style-type: none"> • Si vous soulevez ce produit sans faire preuve de vigilance, cela peut provoquer des blessures ou une défaillance.
<p>Déplacez les cordons et les ficelles afin qu'ils ne se coincent pas dans ce produit.</p> <ul style="list-style-type: none"> • Dans le cas contraire, ils pourraient s'em mêler avec l'appareil et provoquer une défaillance ou un dysfonctionnement.
<p>Avant le nettoyage, déplacez les objets fragiles, susceptibles de chuter et ne devant pas être aspirés. Écartez les cordons et les longues ficelles.</p> <ul style="list-style-type: none"> • Dans le cas contraire, cela pourrait provoquer des dommages, des rayures ou une défaillance de ce produit.
<p>Utilisez ce produit avec le filtre correctement installé. N'utilisez pas ce produit si le filtre a été retiré, est mal installé ou déchiré.</p> <ul style="list-style-type: none"> • Cela pourrait provoquer une défaillance, par exemple un épuisement du moteur. • De la poussière pourrait s'échapper et nuire à la santé.
<p>Veillez à ne pas vous coincer les doigts lorsque vous ouvrez et fermez le couvercle supérieur du corps de l'appareil et le couvercle supérieur de la boîte à poussière, et quand vous fixez le filtre ou connectez et déconnectez la batterie.</p> <ul style="list-style-type: none"> • Vos doigts risqueraient de se coincer et d'être blessés.

À propos de la manipulation

1. Utilisez ce produit en intérieur. Ne nettoyez pas une pièce excessivement poussiéreuse, même en intérieur.
2. Ne nettoyez pas un sol dont la surface est dure et accidentée. Cela pourrait provoquer une usure précoce des brosses et des roues.
3. Après le nettoyage, retirez la poussière de sable restant dans la brosse principale, les brosses latérales et les roues. Si vous ne les nettoyez pas, elles risquent d'endommager le sol.
4. Fixez toujours la brosse principale et son couvercle avant d'utiliser ce produit.
5. Ne graissez pas les parties mobiles de la brosse principale, etc. Des parties en plastique risqueraient de casser.
6. Pour les surfaces délicates, il est recommandé d'utiliser la « brosse principale souple » et la « brosse latérale souple », vendues séparément. Toutefois, selon son état, le sol peut être rayé. Dans ce cas, cessez d'utiliser le produit.
7. Ne traînez pas ce produit. Pour le déplacer, soulevez-le.
8. N'appliquez pas d'autocollant ou de ruban adhésif sur les capteurs et les roues, ne déformez pas le pare-chocs et les roues et protégez le pare-chocs de toute pression excessive. Cela pourrait provoquer un dysfonctionnement.
9. En cas d'aspiration de poudre fine (par exemple du plâtre, du ciment ou de la craie), nettoyez le filtre, le capteur d'obstacles verticaux et le capteur LiDAR.

10. N'aspirez aucun des éléments suivants avec ce produit, car ils risqueraient de rayer l'intérieur, de provoquer une obstruction ou une défaillance. En cas d'aspiration accidentelle, arrêtez l'utilisation et jetez la poussière.
 - (1) Déchets humides (liquides et moites)
 - (2) Excréments d'animaux, etc.
 - (3) Grandes quantités de sable et de poudre
 - (4) Ficelle
 - (5) Objets tranchants (verre, outils tranchants, épingles, etc.)
 - (6) Déchets de grande taille ou en grandes quantités
 - (7) Objets avec une faible perméabilité à l'air (emballage plastique alimentaire, vinyle, film d'emballage, etc.)
11. En cas d'usure de la brosse de fond de l'ouverture d'aspiration, des roulettes, des roues motrices et de la partie du rouleau du couvercle de brosse principale, cessez d'utiliser ce produit et adressez-vous au magasin où vous avez acheté le produit ou à notre bureau de vente. Si vous utilisez l'aspirateur robot avec des pièces usées, il risque d'endommager le sol.
12. Pendant le fonctionnement, du bruit peut apparaître sur les écrans de télévision, mais cela n'affecte pas la télévision en elle-même.
13. Faites preuve de prudence lorsque vous utilisez ce produit dans un endroit où un système de sécurité est actif. Le système de sécurité pourrait détecter ce produit, à tort, comme un intrus.
14. N'effectuez pas les actions suivantes.
 - (1) Laisser la batterie dans le produit alors qu'il n'est pas utilisé pendant une longue période
 - (2) Utiliser le produit avec un capteur sale ou le filtre encrassé
 - (3) Utiliser le produit alors qu'une erreur de batterie est survenue (odeur anormale, fuite de liquide, dégagement de chaleur, déformation ou autre anomalie)
 - (4) Utiliser le produit sans retirer la poussière de sable ou les autres corps étrangers coincés dans la brosse principale, les brosses latérales et les roues
 - (5) Utiliser le produit avec des composants usés ou endommagés
 - (6) Utiliser le produit sans lire le manuel de l'utilisateur
 - (7) Retourner ce produit et procéder à la maintenance alors que la batterie est installée
 - (8) Utiliser le produit sans procéder à la maintenance de la ligne de limite magnétique

Utilisation et entretien d'un appareil à batterie

MISE EN GARDE

Lisez l'intégralité des mises en garde de sécurité et des instructions. Si vous ne respectez pas les mises en garde et les instructions, cela risque de provoquer un choc électrique, un incendie et/ou de graves blessures.

1. Rechargez uniquement avec le chargeur indiqué par le fabricant. Un chargeur adapté à un certain type de batterie peut entraîner un risque d'incendie s'il est utilisé avec une autre batterie.
2. Utilisez uniquement les appareils avec les batteries spécifiquement désignées. L'utilisation d'autres batteries risque de provoquer des blessures et un incendie.
3. Lorsque la batterie n'est pas utilisée, tenez-la à l'écart des objets métalliques, par exemple des trombones, des pièces de monnaie, des clés, des clous, des vis et autres petits objets de ce type susceptibles de connecter les bornes entre elles. Court-circuiter les bornes de la batterie pourrait provoquer des brûlures ou un incendie.
4. Dans des conditions extrêmes, du liquide peut s'écouler de la batterie. Ne le touchez pas. En cas de contact accidentel, rincez à l'eau. En cas de contact entre le liquide et les yeux, contactez un professionnel de santé. Le liquide s'écoulant de la batterie peut provoquer une irritation ou des brûlures.
5. N'utilisez pas une batterie ou un appareil à batterie endommagés ou modifiés. Des batteries endommagées ou modifiées peuvent avoir des effets imprévisibles et provoquer un incendie, une explosion ou des blessures.
6. N'exposez pas une batterie ou un appareil à batterie à un feu ou une température excessive. Une exposition à un feu ou à des températures supérieures à 130 °C (265 °F) peut provoquer une explosion.
7. Respectez toutes les instructions relatives à la charge et ne chargez pas la batterie ou l'appareil à batterie hors de la plage de température indiquée dans les instructions. Une charge incorrecte ou à des températures hors de la plage prescrite risque d'endommager la batterie et d'augmenter le risque d'incendie.
8. Demandez à un réparateur qualifié d'effectuer la maintenance, uniquement avec des pièces de rechange identiques. Cela permettra d'assurer la sécurité du produit.
9. N'essayez pas de modifier ou de réparer l'appareil ou la batterie, à l'exception des instructions d'utilisation et d'entretien.
10. Empêchez tout démarrage accidentel. Vérifiez que le commutateur est en position d'arrêt avant de connecter la batterie, de soulever ou de transporter l'aspirateur robot. Si vous transportez l'aspirateur robot avec le doigt sur le commutateur ou si vous le mettez sous tension alors que le commutateur est en position de marche, des accidents peuvent survenir.
11. Déconnectez la batterie de l'aspirateur robot avant de procéder à des réglages, de changer des accessoires ou de ranger l'aspirateur robot. Ces mesures de sécurité préventives réduisent le risque de démarrage accidentel de l'aspirateur robot.
12. Lors de l'expédition de l'usine, la batterie n'est pas assez chargée. Chargez la batterie avant l'utilisation.
13. Lorsque vous n'utilisez pas la batterie, installez toujours son couvercle.

Consignes de sécurité importantes relatives à la batterie

1. Avant d'utiliser la batterie, lisez toutes les instructions et les inscriptions de précaution apposées sur (1) le chargeur de la batterie, (2) la batterie et (3) le produit utilisant la batterie.
2. Ne démontez pas la batterie et ne la modifiez pas. Cela pourrait entraîner un incendie, une surchauffe ou une explosion.
3. Si le temps de fonctionnement a considérablement diminué, arrêtez immédiatement l'utilisation. Cela pourrait entraîner un risque de surchauffe, de brûlures et même d'explosion.
4. En cas de contact entre l'électrolyte et les yeux, rincez-les à l'eau claire et consultez immédiatement un médecin. Cela pourrait entraîner une perte de la vue.
5. Ne court-circuitez pas la batterie :
 - (1) Ne touchez pas les bornes avec un matériau conducteur.
 - (2) Évitez de stocker la batterie dans un récipient avec d'autres objets métalliques tels que des clous, des pièces de monnaie, etc.
 - (3) N'exposez pas la batterie à l'eau ou à la pluie. Un court-circuit de batterie peut causer un débit de courant important, une surchauffe, des brûlures et même une panne.
6. N'entreposez pas l'appareil et la batterie dans un endroit où la température peut atteindre ou dépasser 50 °C (122 °F).
7. Ne brûlez pas la batterie même si elle est gravement endommagée ou complètement usée. La batterie peut exploser dans le feu.
8. Ne clouez pas, ne coupez, n'écrasez pas, ne jetez pas et ne faites pas tomber la batterie, et ne la heurtez pas contre un objet dur. Un tel comportement pourrait entraîner un incendie, une surchauffe ou une explosion.
9. N'utilisez pas une batterie endommagée.
10. Les batteries lithium-ion utilisées sont soumises à la législation relative aux marchandises dangereuses. Pour le transport commercial, par exemple par des tiers ou des transitaires, des obligations spécifiques doivent être respectées quant à l'emballage et à l'étiquetage. Vous devez consulter un spécialiste des matériaux dangereux pour préparer l'expédition de l'article. Veuillez également vous conformer à d'éventuelles réglementations nationales plus détaillées. Appliquez du ruban adhésif sur les contacts ouverts ou protégez-les autrement et emballez la batterie de sorte qu'elle ne puisse pas bouger dans l'emballage.
11. Lors de la mise au rebut de la batterie, retirez-la de l'appareil et jetez-la dans un endroit approprié. Respectez la législation locale relative à la mise au rebut des batteries.
12. Utilisez uniquement les batteries avec les produits indiqués par Makita. Si vous installez les batteries sur des produits incompatibles, cela risque de provoquer un incendie, une surchauffe, une explosion ou une fuite d'électrolyte.
13. Si vous n'utilisez pas l'appareil pendant une longue période, vous devez en retirer la batterie.
14. Pendant et après l'utilisation, la batterie peut chauffer et provoquer des brûlures plus ou moins graves. Faites preuve de prudence lorsque vous manipulez des batteries chaudes.
15. Ne touchez pas les bornes de l'appareil immédiatement après l'utilisation, car elles peuvent être suffisamment chaudes pour provoquer des brûlures.
16. Empêchez les copeaux, la poussière ou la saleté d'adhérer aux bornes ou de pénétrer dans les orifices et les rainures de la batterie. Cela risque de nuire aux performances ou de provoquer une défaillance de l'appareil ou de la batterie.
17. N'utilisez pas la batterie près de lignes électriques à haute tension, sauf si l'appareil est compatible avec une telle utilisation. Cela risque de provoquer un dysfonctionnement ou une défaillance de l'appareil ou de la batterie.
18. Conservez la batterie hors de portée des enfants.

CONSERVEZ CES INSTRUCTIONS.

ATTENTION

Utilisez uniquement des batteries Makita d'origine. L'utilisation de batteries non d'origine Makita ou de batteries qui ont été modifiées peut entraîner l'explosion de la batterie et causer un incendie, des blessures et des dommages. Cela annule également la garantie Makita de l'appareil et du chargeur Makita.

Conseils pour préserver la durée de vie de la batterie

1. Chargez la batterie avant qu'elle ne soit complètement déchargée. Arrêtez toujours l'utilisation et chargez la batterie lorsque vous remarquez une perte de puissance de l'appareil.
2. Ne rechargez jamais une batterie complètement chargée. La surcharge de la batterie réduit sa durée de vie.
3. Chargez la batterie dans une pièce dont la température est comprise entre 10 °C - 40 °C (50 °F - 104 °F). Laissez refroidir une batterie chaude avant de la charger.
4. Si vous n'utilisez pas la batterie, retirez-la de l'appareil ou du chargeur.
5. Chargez la batterie avant de l'entreposer pour une longue période (plus de six mois).

Pour pile de type bouton ou pièce de monnaie

Ce produit contient une pile de type bouton ou pièce de monnaie non remplaçable.
Type de pile : MS621FE, tension nominale : 3 V

MISE EN GARDE

- **DANGER D'INGESTION** : Ce produit contient une pile de type bouton ou pièce de monnaie.
- L'ingestion de ce produit peut entraîner la **MORT** ou des blessures graves.
- Une pile de type bouton ou pièce de monnaie avalée peut provoquer des **brûlures chimiques internes** en seulement **2 heures**.
- **GARDEZ** les piles neuves et usagées **HORS DE PORTÉE DES ENFANTS**.
- **Consultez immédiatement un médecin** si une pile a pu être avalée ou insérée à l'intérieur d'une partie du corps.



1. Retirez les piles usagées et recyclez-les immédiatement ou éliminez-les conformément aux réglementations locales et tenez-les hors de portée des enfants. Ne jetez PAS les piles dans les ordures ménagères et ne les incinerez pas.
2. Les piles même usagées peuvent provoquer des blessures graves, voire mortelles.
3. Appelez un centre antipoison local pour obtenir des informations sur le traitement.
4. Les piles non rechargeables ne doivent pas être rechargées.
5. Ne déchargez de force, ne rechargez pas, ne démontez pas, ne chauffez pas à plus de 50 °C (122 °F) et n'incinerez pas. Cela pourrait entraîner des blessures dues à la ventilation, à une fuite ou à une explosion entraînant des brûlures chimiques.

Précautions relatives aux ondes radio

- N'utilisez pas ce produit dans les endroits suivants.
 - Dans des endroits ou près d'endroits où se trouvent des dispositifs médicaux
 - Près d'appareils électroniques équipés de commandes haute précision ou de signaux faibles (exemples d'appareils électroniques requérant des précautions : prothèses auditives, stimulateurs cardiaques et autres dispositifs médicaux, alarmes à incendie, portes automatiques et autres dispositifs à contrôle automatique)
 - Dans un hôpital ou un avion (suivez les instructions de l'hôpital ou de la compagnie aérienne et n'utilisez pas le produit dans les zones interdites)
- La connexion sans fil et les performances ne sont pas garanties dans tous les environnements. Les ondes radio peuvent ne pas être reçues ou peuvent être interrompues dans les cas suivants.
 - Utilisation dans des bâtiments construits avec du béton, des barres d'armature et du métal
 - Installation près d'obstacles
 - Utilisation dans des endroits où des interférences se produisent avec les dispositifs de communication sans fil utilisant la même fréquence
 - Utilisation dans des endroits où se trouvent des équipements qui émettent des champs magnétiques, de l'électricité statique ou des interférences radio, comme des fours à micro-ondes

Marques respectives et déposées

Avis relatif aux marques

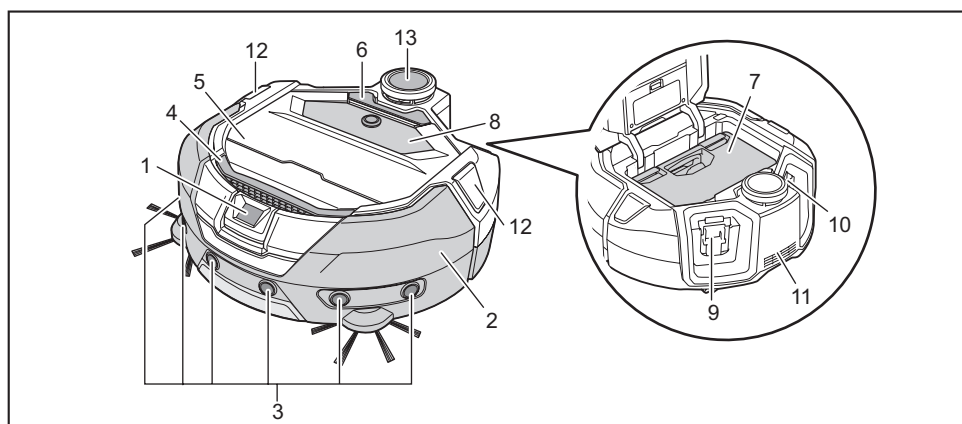
- Android et Google Play sont des marques ou des marques déposées de Google LLC.
- iPhone est une marque d'Apple Inc., enregistrée aux États-Unis et dans d'autres pays.
- La marque iPhone est utilisée sous licence par Aiphone Co., Ltd.
- App Store est une marque de service d'Apple Inc.
- Wi-Fi est une marque et une marque déposée de Wi-Fi Alliance.
- L'appellation et les logos Bluetooth® sont des marques déposées appartenant à Bluetooth SIG, Inc. et toute utilisation de ces marques par Makita est soumise à licence. Les autres marques et noms commerciaux appartiennent à leurs propriétaires respectifs.



- Toutes les autres marques mentionnées dans ce document appartiennent à leurs propriétaires respectifs.
Veuillez noter que les symboles ™ et ® sont omis dans certaines parties du texte principal.

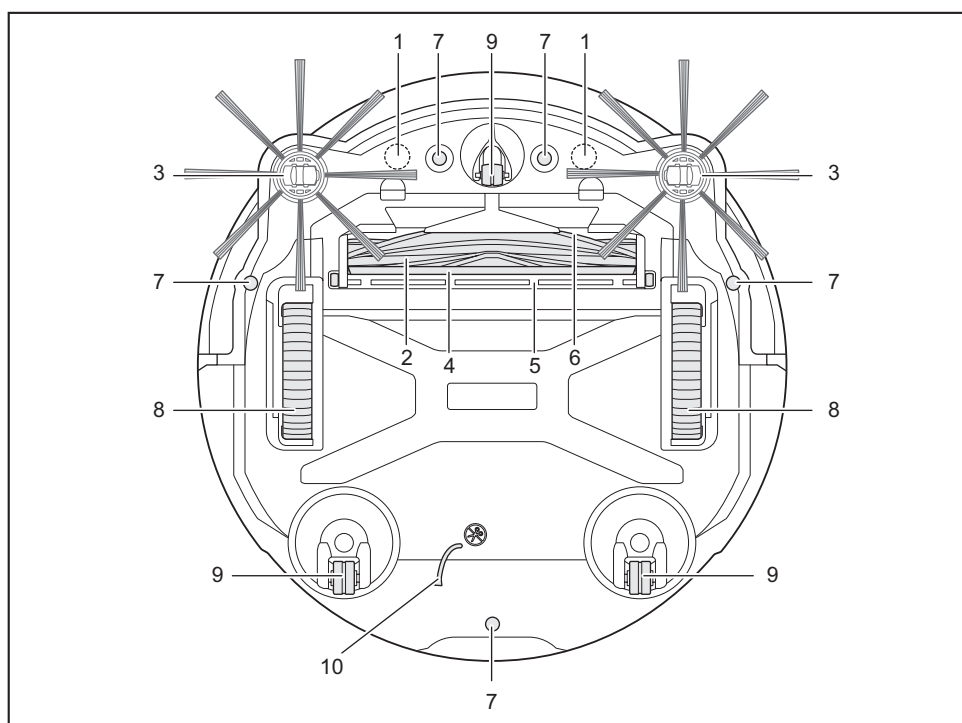
Nom des pièces

Unité principale (vue de haut, vue latérale, intérieur)



- | | |
|---|--|
| 1. Capteur de caméra | 8. Panneau d'utilisation (affichage) (consultez la page 10.) |
| 2. Pare-chocs | 9. Fente d'insertion de la batterie gauche |
| 3. Capteur à ultrasons | 10. Fente d'insertion de la batterie droite |
| 4. Poignée de transport (consultez la page 11.) | 11. Ouverture d'évacuation |
| 5. Couvercle supérieur | 12. DEL de position |
| 6. Bouton d'ouverture | 13. Capteur LiDAR |
| 7. Boîte à poussière (consultez la page 14.) | |

Unité principale (vue de dessous)



- | | |
|---|----------------------------------|
| 1. Capteur magnétique pour la détection des limites (intégré) | 6. Ouverture d'aspiration |
| 2. Brosse principale | 7. Capteur d'obstacles verticaux |
| 3. Brosse latérale | 8. Roue motrice |
| 4. Brosse de fond | 9. Roulette |
| 5. Couvercle de brosse principale | 10. Ligne de mise à la terre |

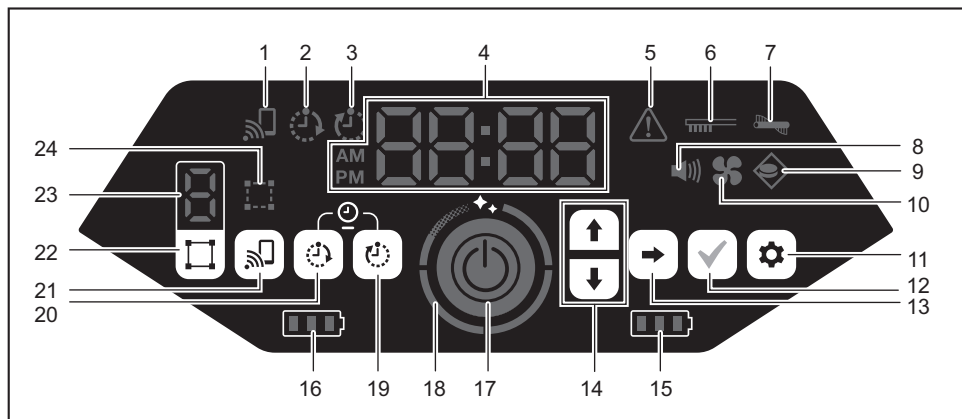
AVIS

- La ligne de mise à la terre réduit la charge électrique appliquée au capteur.



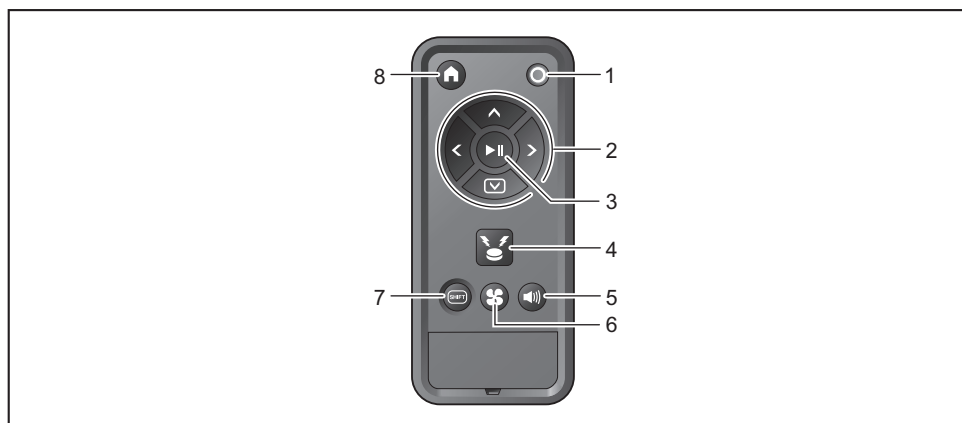
: Veuillez à ne pas tirer sur la ligne de mise à la terre ni à la couper accidentellement.

Unité principale (panneau d'utilisation (affichage))



- | | |
|---|--|
| 1. Voyant de raccordement de smartphone (vert) | 13. Bouton suivant |
| 2. Voyant de minuterie ON (vert) (consultez la page 20.) | 14. Bouton haut, bouton bas |
| 3. Voyant de minuterie OFF (vert) (consultez la page 20.) | 15. Voyant d'alimentation de la batterie droite (vert) (consultez la page 16.) |
| 4. Indicateur temporel (vert) | 16. Voyant d'alimentation de la batterie gauche (vert) (consultez la page 16.) |
| 5. Voyant d'erreur (rouge) (consultez la page 29.) | 17. Bouton marche/arrêt (consultez la page 16.) |
| 6. Voyant d'entretien du filtre (rouge) (consultez la page 29.) | 18. Bouton de niveau de propreté (blanc) (consultez la page 18.) |
| 7. Voyant d'erreur de la brosse (rouge) (consultez la page 29.) | 19. Bouton de minuterie OFF (consultez la page 20.) |
| 8. Voyant de son (vert) (consultez la page 23.) | 20. Bouton de minuterie ON (consultez la page 19.) |
| 9. Voyant de détection des limites (vert) (consultez la page 21.) | 21. Bouton de raccordement de smartphone |
| 10. Voyant de ventilateur d'aspiration (vert) (consultez la page 19.) | 22. Bouton de commutation de mode (consultez la page 17.) |
| 11. Bouton de réglage | 23. Affichage du mode/numéro de pièce (consultez la page 17.) |
| 12. Bouton de confirmation | 24. Voyant d'enregistrement de pièce (vert) (consultez la page 17.) |

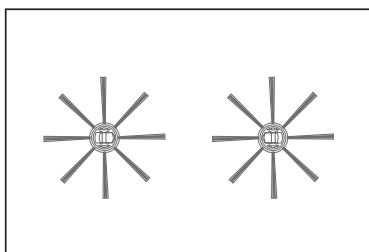
Télécommande



- | | |
|--|---|
| 1. Bouton de coupure d'alimentation (OFF) | 5. Bouton d'activation/désactivation de son (ON/OFF) |
| 2. Boutons d'action | 6. Bouton d'activation/désactivation du ventilateur d'aspiration (ON/OFF) |
| 3. Bouton marche/arrêt | 7. Bouton de changement de position |
| 4. Bouton de localisation par signal lumineux/bruiteur | 8. Bouton de point de départ |

Accessoires standards

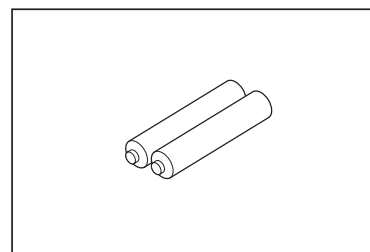
- Brosses latérales (quatre)
Deux sont des brosses de recharge. Fixez-en deux à l'aspirateur robot. (Consultez la page 14.)



- Télécommande



- Piles sèches AAA (deux) * Spécifique au pays
Insérez-les dans la télécommande. (Consultez la page 14.)



Préparation avant le nettoyage

À propos du transport de l'aspirateur robot

⚠ ATTENTION

Lorsque vous transportez l'aspirateur robot, arrêtez-le, mettez-le hors tension, puis tenez fermement la poignée de transport afin de ne pas vous coincer les mains.

- Dans le cas contraire, vous risquez de vous coincer la main dans la poignée.

Veillez à ne pas perdre l'équilibre lorsque vous soulevez l'aspirateur robot.

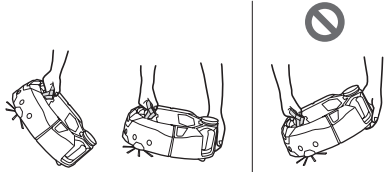
- Sinon, cela pourrait provoquer des blessures ou une défaillance.

Faites preuve de vigilance lorsque vous soulevez l'aspirateur robot.

- Cela pourrait provoquer des blessures ou une défaillance.

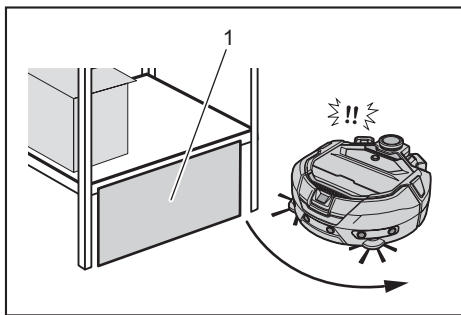
Ne tenez pas l'aspirateur robot en orientant sa partie avant vers le bas.

- De la poussière pourrait tomber de l'ouverture d'aspiration.



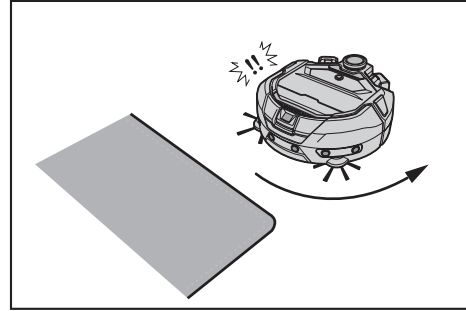
À propos du nettoyage avec l'aspirateur robot

- L'aspirateur robot détecte les obstacles grâce au capteur LiDAR et au capteur à ultrasons et les évite. Il collecte et aspire la poussière à l'aide des brosses latérales et de la brosse principale. Selon les conditions, il se peut qu'il ne détecte pas un obstacle. En cas de collision, le pare-chocs détecte le contact et évite l'obstacle.
- L'aspirateur robot peut monter sur une marche mesurant jusqu'à 2,0 cm (13/16") environ. Toutefois, si cette marche mesure moins de 2,0 cm (13/16"), l'aspirateur robot échoue parfois à passer dessus selon les conditions, par exemple la forme de la marche.
- Sur une pente ou un sol inégal, le dessous de l'aspirateur robot risque de s'accrocher et une roue motrice d'être soulevée, ce qui peut provoquer une erreur et l'arrêt de l'aspirateur robot. Si l'aspirateur robot s'arrête souvent, empêchez-le d'aller dans une telle zone. (Consultez la page 21.)
- Lorsqu'il existe un obstacle près d'un mur, l'aspirateur robot risque de heurter le mur en essayant d'éviter l'obstacle.
- Le capteur LiDAR risque de ne pas pouvoir reconnaître des obstacles ayant les caractéristiques suivantes, ce qui risque de provoquer une cartographie inexacte ou une collision avec les obstacles.
 - Des obstacles très réfléchissants comme un miroir
 - Des obstacles très transparents comme du verre
 - Des obstacles en matériau noir brillant
 - Des obstacles fins comme les pieds d'une chaises ou d'un bureau
- Lorsque l'aspirateur robot pénètre dans un espace étroit plus bas que lui, il risque de rester coincé. Dans ce cas, obstruez l'espace avec une planche ou autre.



- 1. Obstruez l'espace avec une planche ou autre.

- Il se peut que l'aspirateur robot détecte un sol noir ou transparent, par exemple un sol en verre, ou des zones noires sur le grain du bois comme une marche et essayez donc de les éviter.



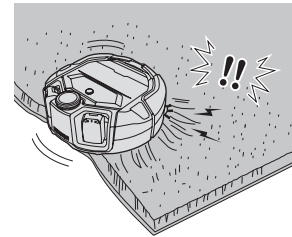
- L'aspirateur robot risque de ne pas parvenir à aspirer la poussière dans une zone autour d'une marche qu'il peut franchir, un espace reculé ou étroit où il ne peut pénétrer, ou en endroit inaccessible pour les brosses latérales.
- En cas de contact, L'aspirateur robot peut projeter les petits objets comme des cailloux.
- L'aspirateur robot peut franchir accidentellement une marche si un objet l'y aide (par exemple, une planche ou un tapis). Maintenez ce type d'objets à l'écart des marches.

⚠ ATTENTION

N'utilisez pas l'aspirateur robot dans les endroits suivants.

- N'utilisez pas l'aspirateur robot sur des surfaces telles que de la moquette dont les poils dépassent 7 mm (9/32"), un tapis dont les poils se décrochent facilement et les tapis inégaux.

Sur un tel tapis, l'aspirateur robot risque de cesser de fonctionner, les poils peuvent se coincer dans les brosses latérales, ou le tapis ou les brosses latérales risquent de subir des dommages. Si l'aspirateur robot ne parvient pas à fonctionner correctement sur un type de tapis autre que celui décrit ci-dessus, évitez de l'utiliser sur ce tapis.



- N'utilisez pas l'aspirateur robot sur un matelas, une couverture, un coussin de sol, etc.
- N'utilisez pas l'aspirateur robot dans une zone humide, des toilettes, une salle de bain, un grenier, en extérieur, etc.
- N'utilisez pas l'aspirateur robot dans un endroit humide ou susceptible de le devenir, ou dans un endroit chaud et humide.

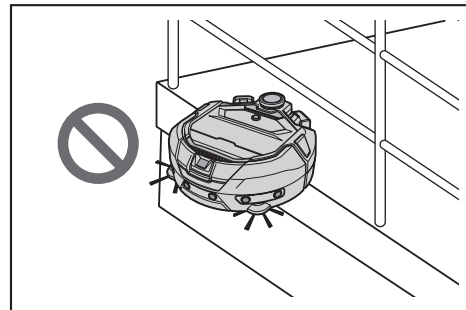
Pour prévenir la chute de l'aspirateur robot

⚠ MISE EN GARDE

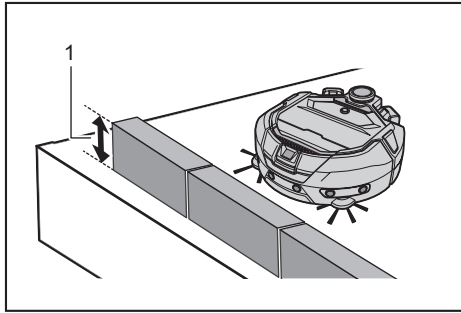
Assurez-vous que l'aspirateur robot ne tombe pas.

- Une chute pourrait provoquer des dommages ou des blessures.

- N'utilisez pas l'aspirateur robot sur un étage en mezzanine, dans un grenier, une cage d'escalier, un endroit sans murs ou un endroit avec une inclinaison de 10° ou plus.

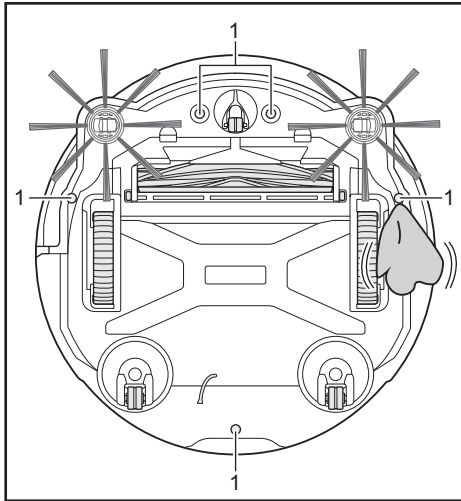


- Dans un endroit où un accident ou une situation dangereuse risque de survenir à cause d'une chute, placez un objet d'une hauteur d'au moins 25 cm (9-7/8") pouvant servir de mur (un objet qui ne bougera ou ne basculera pas en cas de collision avec l'aspirateur robot).



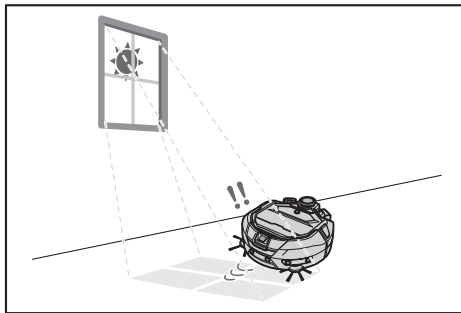
- ▶ 1. Hauteur de 25 cm (9-7/8") ou plus

- Si des saletés ou des gouttelettes d'eau dues à la condensation apparaissent sur le capteur d'obstacles verticaux situé sous l'aspirateur robot, essayez-les avec un chiffon sec et doux, un coton-tige, etc.

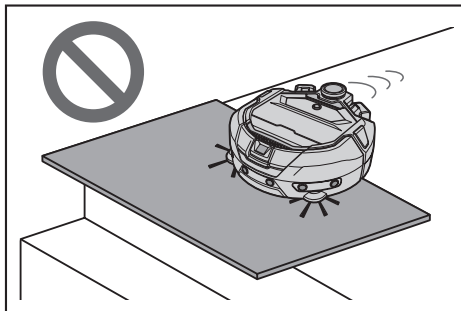


- ▶ 1. Capteur d'obstacles verticaux (cinq emplacements)

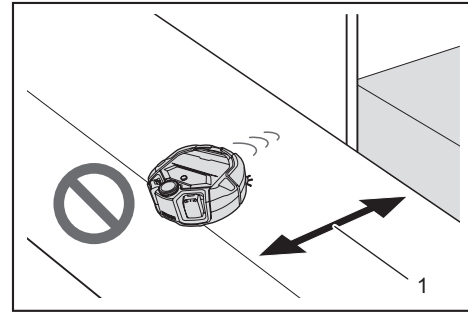
- Il se peut que l'aspirateur robot ne fonctionne pas correctement lorsqu'il est exposé à la lumière du soleil ou à une lumière infrarouge d'un autre équipement. Assurez-vous de ne pas exposer l'aspirateur robot à la lumière infrarouge d'un chauffage halogène, d'une télécommande, d'un capteur ou d'autres équipements, ni à la lumière du soleil filtrée par un verre dépoli, etc.



- N'utilisez pas le produit lorsque des objets tels que des tapis, des paillasons ou des plateaux se trouvent près d'une marche. Si un tel objet tel qu'un tapis, un paillason ou un plateau couvre une marche, le capteur d'obstacles verticaux risque de ne pas détecter correctement la marche.

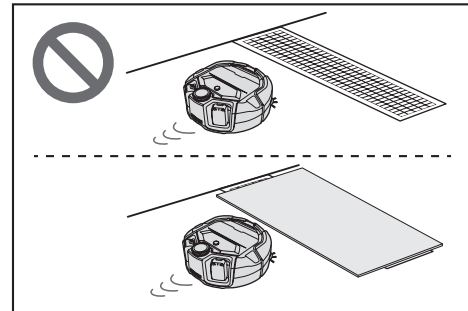


- Dans un endroit où la distance entre un mur et une marche est inférieure à 1 m (3,28 pi), l'aspirateur robot peut tomber en reculant. N'utilisez pas l'aspirateur robot lorsque la distance entre un mur et une marche est inférieure à 1 m (3,28 pi).



- ▶ 1. Moins de 1 m (3,28 pi) environ

- Il se peut que le capteur d'obstacles verticaux détecte une bonde (ou une grille d'évacuation) comme une marche et soit incapable de la franchir. S'il doit la franchir, couvrez la bonde/grille avec une plaque ou un objet similaire.



- Une marche d'environ 3,0 cm (1-3/16") ou moins risque de ne pas être détectée comme telle par le capteur d'obstacles verticaux et l'aspirateur robot risque de la franchir. Évitez d'utiliser l'aspirateur robot là où il pourrait franchir une marche comprise entre 2,0 et 3,0 cm (13/16" et 1-3/16").
- Fermez toutes les portes coulissantes et fenêtres, et tirez tous les paravents et autres, car les capteurs du pare-chocs risquent de ne pas détecter la différence de niveau de leur structure ou de leurs rails comme une marche.
- N'utilisez pas l'aspirateur robot sur une surface susceptible de se briser, par exemple du verre.

Rangement d'une pièce à nettoyer

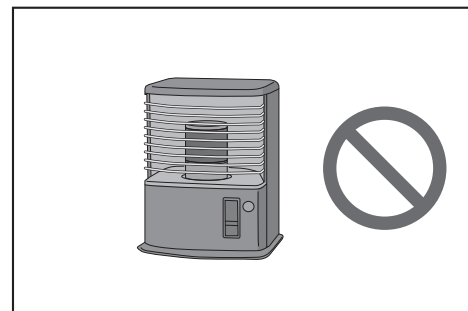
⚠ MISE EN GARDE

Déplacez les objets susceptibles de provoquer des dommages ou un accident en cas de contact avec l'aspirateur robot.

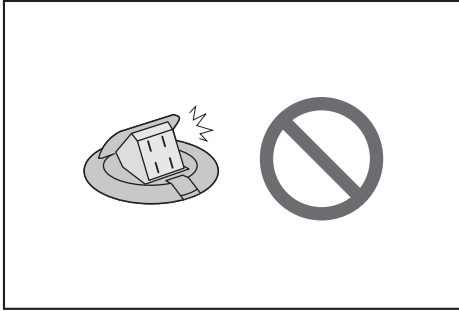
Retirez les objets ne devant pas être aspirés, ceux risquant de gêner les déplacements de l'aspirateur robot et ceux pouvant se coincer dans la brosse principale, les roues et les brosses latérales.

- Si vous laissez un objet susceptible d'empêcher le mouvement de l'aspirateur robot pendant le nettoyage, cela peut provoquer un accident ou des blessures.

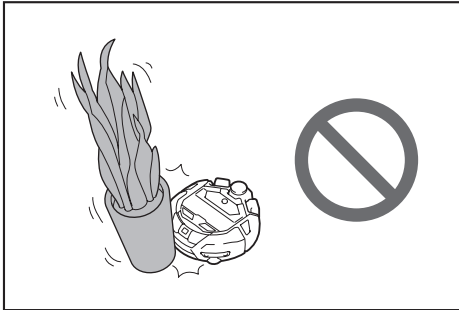
- N'utilisez pas l'aspirateur robot près d'objets émettant de la chaleur, comme un appareil chauffant (radiateur électrique portatif). Cela pourrait provoquer un accident, un embrasement ou une défaillance. (N'utilisez pas de radiateur pendant le fonctionnement.)



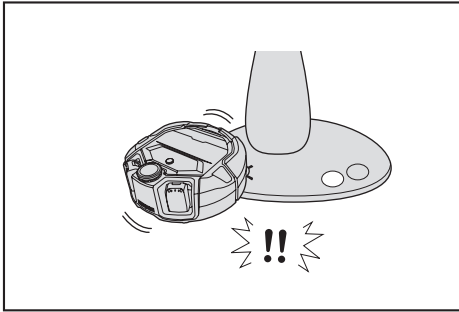
- N'utilisez pas l'aspirateur robot dans un endroit équipé d'une prise rétractable. La prise rétractable doit toujours être repliée.



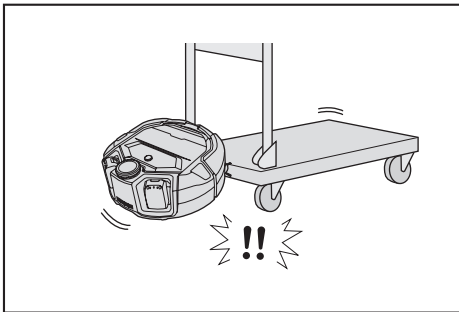
- Si les murs sont fragiles (mur en terre glaise, porte décorée ou porte coulissante, paravent), protégez-les en plaçant devant eux des objets servant de mur.
- N'utilisez pas le produit dans les endroits où des objets instables ou pouvant tomber facilement sont placés. Déplacez les objets instables ou pouvant tomber facilement dans une autre pièce.



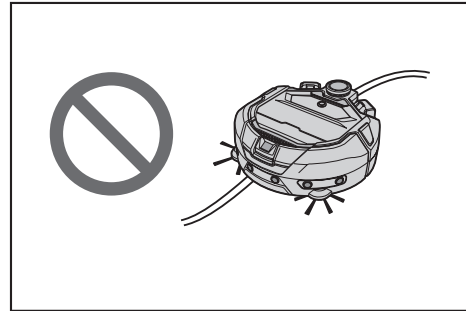
- Déplacez les équipements et les appareils dont les commandes sont situées au même niveau que l'aspirateur robot.



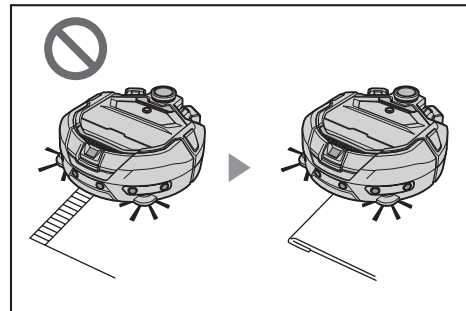
- Retirez les bougies allumées et les objets fragiles.
- Concernant les objets équipés de roulettes, par exemple un chariot ou un fauteuil roulant, ou les fauteuils faciles à déplacer, bloquez les roulettes ou éloignez les objets.



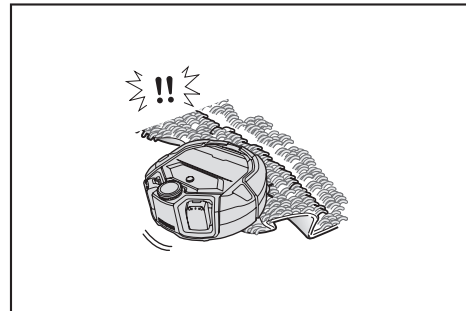
- N'utilisez pas le produit avec des câbles qui traînent et pourraient se coincer ou s'emmêler. Veillez à plaquer les câbles le long d'un mur de sorte que l'aspirateur robot ne se coince pas dedans.



- Retirez les objets longs et fins tels que les cordons et les ceintures.
- Retirez les petits objets faciles à aspirer et les objets de valeur.
- Retirez les objets bloquant le passage de l'aspirateur robot, par exemple une table, une chaise, un outil ou un plateau.
- En cas d'aspiration d'excréments ou de déchets liquides, l'aspirateur robot risque de dysfonctionner. Retirez-les avant son passage.
- Veillez à rentrer les franges des tapis et objets similaires.



- Si le pan d'un rideau, etc. descend jusqu'au sol, soulevez-le. Le pan risquerait de se coincer dans la brosse principale, entre autres.
- Retirez les tapis fins et glissants. Les tapis et les brosses latérales pourraient subir des dommages.



- Retirez les papiers et les tissus fins, les sacs en plastique, etc.
- Dans un lieu donnant sur l'extérieur, fermez les portes pour empêcher l'aspirateur robot de sortir. Si vous ne pouvez pas fermer les portes, n'utilisez pas l'aspirateur robot. Par ailleurs, fermez les portes de toutes les pièces où l'aspirateur robot ne doit pas entrer.
- L'aspirateur robot risque de ne pas fonctionner correctement sur une surface glissante. Vérifiez l'état du sol avant l'utilisation.
- Veillez à libérer un passage d'au moins 80 cm (31-1/2") pour le nettoyage.

Préparation avant utilisation

Fixation des brosses latérales

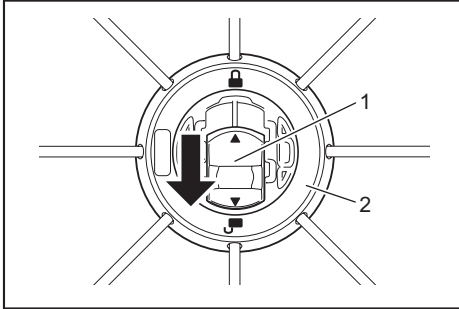
⚠ MISE EN GARDE

Avant de fixer les brosses latérales, vérifiez que les batteries ont été retirées de l'aspirateur robot.

- S'il reste une batterie dans l'aspirateur robot, cela pourrait provoquer un choc électrique ou des blessures.

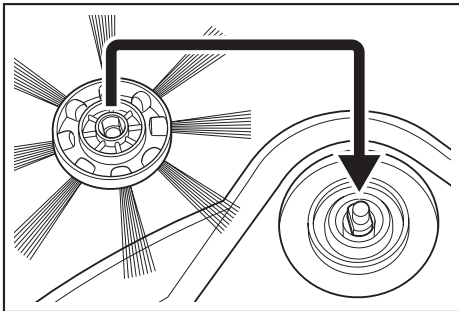
Avant de fixer les brosses latérales, installez un tapis ou similaire pour y poser l'aspirateur robot et ne pas endommager ce dernier ni le sol.


1. Retournez l'aspirateur robot.
2. Faites glisser le levier de verrouillage de brosse latérale sur  (symbole du déverrouillage).

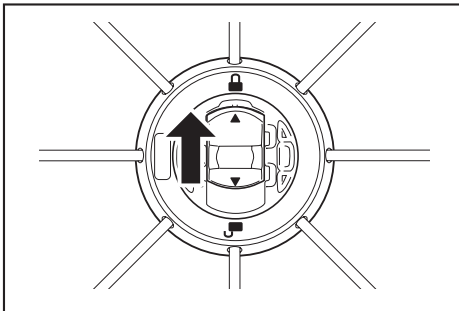


- 1. Levier de verrouillage 2. Brosse latérale

3. Fixez la brosse latérale de sorte que l'arbre situé sous l'aspirateur robot s'adapte à la forme de l'orifice de la brosse latérale.



4. Poussez le levier de verrouillage de la brosse latérale vers  (symbole du verrouillage) jusqu'à ce qu'un déclic retentisse. (Enfoncez jusqu'à atteindre le point indiqué sur l'illustration.)
 - Après l'installation soulevez légèrement la brosse latérale pour vérifier qu'elle reste fixée à l'aspirateur robot.
 - Fixez deux brosses latérales, une à gauche et l'autre à droite.

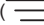


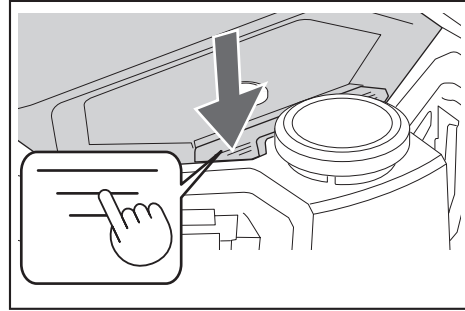
Retrait de la boîte à poussière

⚠ MISE EN GARDE

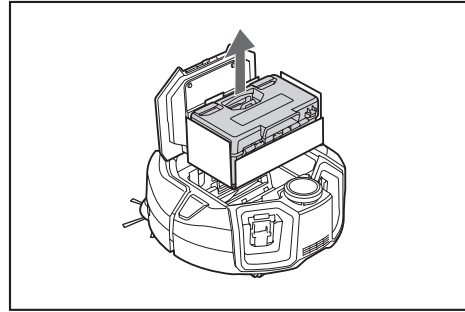
Lorsque vous ouvrez le couvercle supérieur de l'aspirateur robot, vérifiez que les batteries ont été retirées de l'aspirateur robot.

- S'il reste une batterie dans l'aspirateur robot, cela pourrait provoquer un choc électrique ou des blessures.

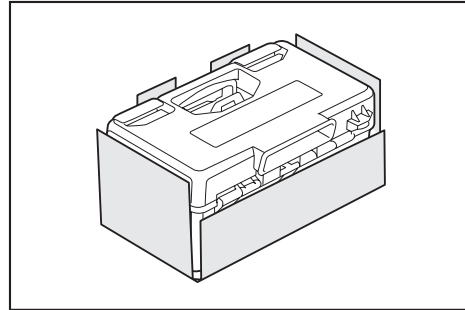
1. Appuyez sur le bouton d'ouverture () pour ouvrir le couvercle supérieur. Faites preuve de vigilance, car le couvercle supérieur s'ouvre rapidement.



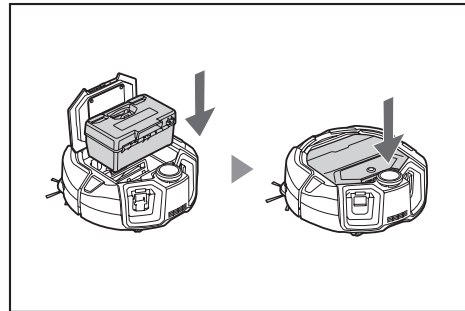
2. Sortez la boîte à poussière.




3. Retirez les matériaux d'emballage.

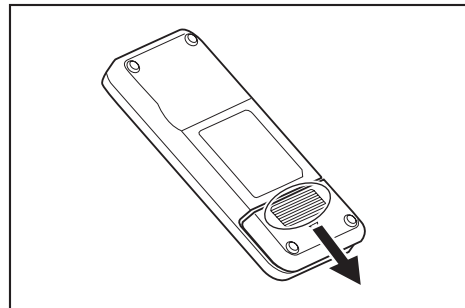


4. Remplacez la boîte à poussière dans l'aspirateur robot et fermez le couvercle supérieur en appuyant dessus jusqu'à entendre un déclic. Lorsque vous fermez le couvercle supérieur, veillez à ne pas vous coincer les doigts.

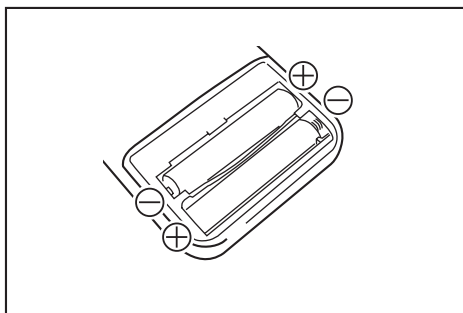


Insertion des piles dans la télécommande

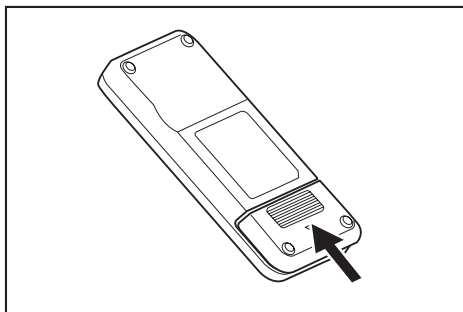
1. Lorsque vous appuyez sur  sur le couvercle de la télécommande, faites glisser ce dernier dans le sens indiqué par la flèche et retirez-le.



2. Insérez les piles dans le bon sens.



3. Fixez le couvercle.

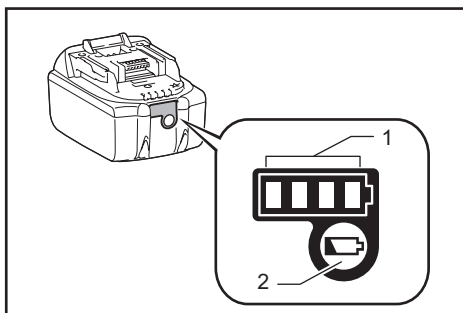


AVIS

- Veillez à respecter la polarité des piles.
- Deux piles sèches AAA sont requises. Les deux piles doivent être neuves et du même type.
- Retirez les piles avant une longue période d'inutilisation afin d'éviter toute défaillance due à des fissures et la fuite de liquide.
- En cas de contact entre le liquide d'une pile et les yeux, la peau ou les vêtements, rincez immédiatement à l'eau claire.
- Ne soumettez la télécommande à aucun choc et évitez tout contact avec l'eau. Ne l'exposez pas à la lumière directe du soleil et ne la posez pas près d'un radiateur, etc. Cela risquerait de provoquer une défaillance.

Indication de la charge restante de la batterie

Uniquement pour les batteries avec indicateur



► 1. Voyants lumineux 2. Bouton de vérification

Appuyez sur le bouton de vérification de la batterie pour voir la charge restante de la batterie. Les voyants lumineux s'allument quelques secondes.

Voyants lumineux			Charge restante
Allumés	Éteints	Clignotent	
■ ■ ■ ■			75 % à 100 %
■ ■ ■ □			50 % à 75 %
■ ■ □ □			25 % à 50 %
■ □ □ □			0 % à 25 %
▬ □ □ □			Chargez la batterie.
■ ■ □ □			La batterie a peut-être dysfonctionné.
□ □ ■ ■			

AVIS

- Selon les conditions d'utilisation et la température ambiante, l'indication peut différer légèrement de la charge réelle.
- Le premier voyant lumineux (complètement à gauche) clignote lorsque le système de protection de la batterie fonctionne.

Installation et retrait des batteries (vendues séparément)

- L'aspirateur robot fonctionne même avec une seule batterie.
- Avec deux batteries, il peut fonctionner plus longtemps.

Installation

⚠ MISE EN GARDE

Insérez complètement la batterie en la poussant le plus loin possible. Lorsque la partie rouge de la section supérieure du bouton est visible, cela signifie que la batterie n'est pas verrouillée en position. Insérez complètement la batterie, jusqu'à ce que la partie rouge disparaisse.

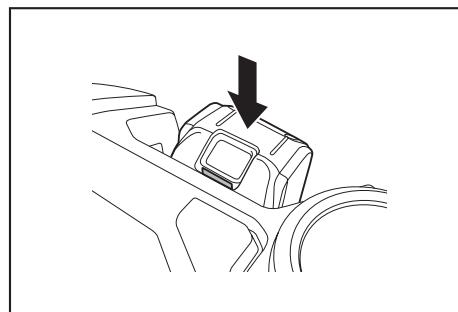
- Si vous ne l'insérez pas assez, elle risque de ressortir et de provoquer un accident ou une défaillance.

Ne forcez pas pour insérer la batterie.

- Si vous ne parvenez pas à glisser facilement la batterie, cela signifie que vous ne l'insérez pas correctement.

Tenez fermement l'appareil et la batterie lorsque vous installez cette dernière.

Insérez complètement une batterie le long de la rainure de l'aspirateur robot, aussi loin que possible. Lorsque la batterie se verrouille en position, un déclic retentit.



AVIS

Lors de l'installation d'une batterie, veillez à ne pas vous coincer les doigts entre l'aspirateur robot et la batterie.

Retrait

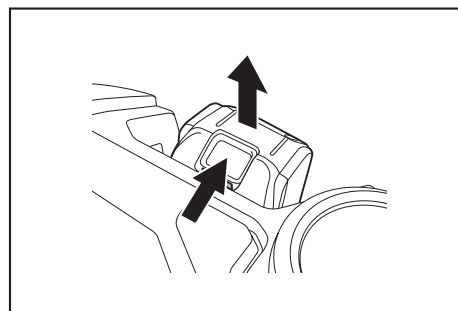
⚠ MISE EN GARDE

Lorsque vous retirez une batterie, vérifiez que l'aspirateur robot est hors tension. Ne retirez pas une batterie alors que l'aspirateur robot est en veille. (Consultez « Mise sous tension/hors tension » à la page 16.)

- Si vous retirez une batterie alors que l'appareil est sous tension, vous risquez de provoquer une défaillance.

Tenez fermement l'appareil et la batterie lorsque vous retirez cette dernière.

Soulevez la batterie tout en actionnant le bouton de la batterie.

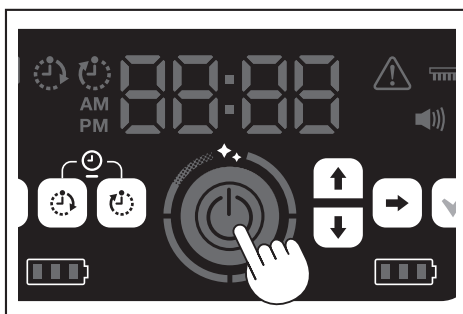


Mise sous tension/hors tension

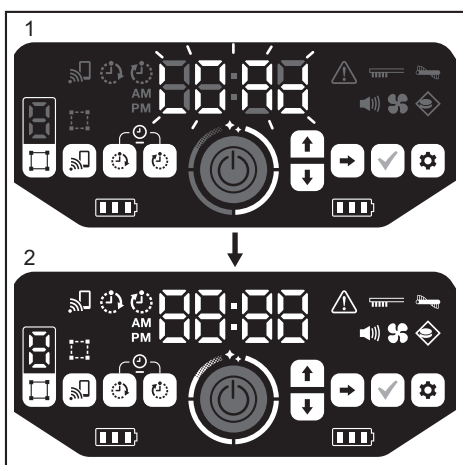
- Lorsqu'il est sous tension, l'aspirateur robot passe en veille. En mode veille, vous pouvez nettoyer, modifier des réglages et le connecter à l'application.
- Si vous n'avez pas utilisé l'aspirateur robot, la télécommande ou l'application pendant environ 30 minutes lors de la veille, l'appareil passe hors tension. (Si dans le cas ci-dessus le voyant de raccordement de smartphone est allumé, l'appareil ne passe pas hors tension.)
- Coupez l'alimentation après l'utilisation et avant de ranger le produit.
- Lorsque l'aspirateur robot est en veille, la communication depuis l'application est impossible.
- Lorsque l'aspirateur robot est hors tension, vous ne pouvez pas l'utiliser via la télécommande ou l'application.

Mise sous tension

1. Lorsque l'aspirateur robot est hors tension, appuyez sur le bouton marche/arrêt de ce dernier.



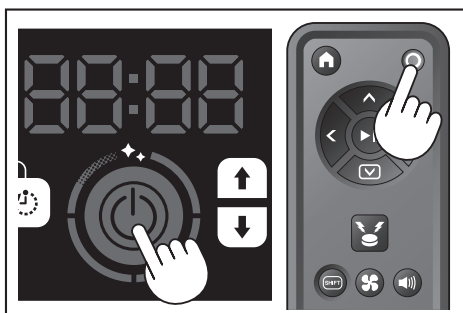
2. Attendez sans effectuer d'opération que l'heure s'affiche. Si vous utilisez l'aspirateur robot pour la première fois, vous devez d'abord régler l'heure. Réglez l'heure. (Consultez la page 23.)



- 1. [LOAD] clignote au niveau de l'indicateur temporel et les quatre boutons de niveau de propreté s'allument et s'éteignent dans le sens horaire. La vitesse de commutation des boutons augmente au fil de la progression du démarrage.
- 2. Lorsque tous les boutons sont allumés, le démarrage de l'aspirateur robot est terminé (mode veille).

Mise hors tension

Maintenez le bouton marche/arrêt de l'aspirateur robot enfoncé ou appuyez sur le bouton de coupure d'alimentation (OFF) de la télécommande. Lorsque l'appareil passe complètement hors tension, l'affichage et les boutons de l'aspirateur robot s'éteignent. Attendez avant de retirer les batteries. Lorsque vous avez fini d'utiliser l'aspirateur robot, ou avant de le ranger, coupez l'alimentation et retirez les batteries.



AVIS

Ne retirez pas les batteries avant d'avoir complètement coupé l'alimentation (avant que l'affichage et les boutons s'éteignent). Il se peut que les informations de cartographie et l'historique de nettoyage enregistrés soient supprimés.

Comprendre le témoin de la batterie de l'aspirateur robot

État du témoin de charge de la batterie	Charge restante de la batterie
	Environ 60 % ou plus
	Entre environ 20 et 60 %
	Moins d'environ 20 %
	Aucune charge restante Aucune batterie installée

La charge restante est une indication approximative. Elle peut varier selon les conditions d'utilisation, la température de la pièce, le type de batterie, la consommation d'énergie de la batterie, etc.

Configuration avant le nettoyage

Avant de nettoyer, effectuez les réglages requis pour l'aspirateur robot.

Activation/désactivation du ventilateur d'aspiration

Lors du nettoyage de poussières importantes et visibles seulement, désactiver le ventilateur d'aspiration permet de prolonger la durée de fonctionnement. Pour savoir comment activer/désactiver le ventilateur d'aspiration, consultez la page 19.

Activation/désactivation du réglage du son

Lorsque le réglage du son de l'aspirateur robot est désactivé, ce dernier effectue un nettoyage silencieux. (Consultez la page 23.)

Réglage de la fonction de détection des limites

Lorsque la fonction de détection des limites est active, l'aspirateur robot reconnaît la ligne de limite magnétique placée au sol. La ligne de limite magnétique permet de définir une ligne que l'aspirateur robot ne franchira pas et de délimiter une zone dont il ne sortira pas. Pour savoir comment régler la fonction de détection des limites, consultez la page 21.

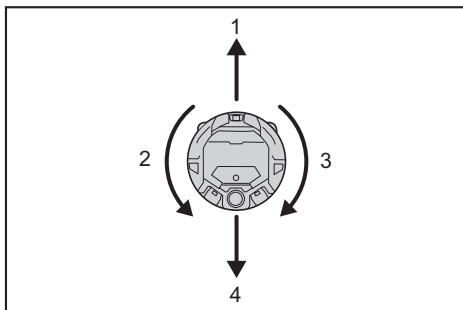
Utilisation



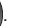


Nettoyage

- L'aspirateur robot dispose de trois modes de fonctionnement :
 - le mode de nettoyage libre, ne requérant aucun enregistrement de carte,
 - le mode de nettoyage cartographique (consultez « Nettoyage d'une pièce avec la cartographie » sur cette page), pour lequel vous devez enregistrer des informations sur la pièce, nécessaires au nettoyage, et
 - le fonctionnement manuel via la télécommande.
- Le mode de nettoyage libre est recommandé pour nettoyer diverses pièces ou un environnement dont l'agencement change souvent et considérablement.
- Dans une pièce ne pouvant pas être correctement éclairée au moment de la cartographie, utilisez le mode de nettoyage libre.
- Si l'aspirateur robot ne dispose plus de beaucoup d'autonomie, il interrompt le nettoyage et revient à l'emplacement du démarrage du nettoyage.

Nettoyage d'une pièce via la télécommande

Pour le nettoyage, vous pouvez utiliser l'aspirateur robot en appuyant sur les boutons d'action de la télécommande.



- Avancer : Appuyez sur .
- Tourner à gauche : Appuyez sur .
- Tourner à droite : Appuyez sur .
- Reculer : Tout en maintenant  enfoncé, appuyez sur .

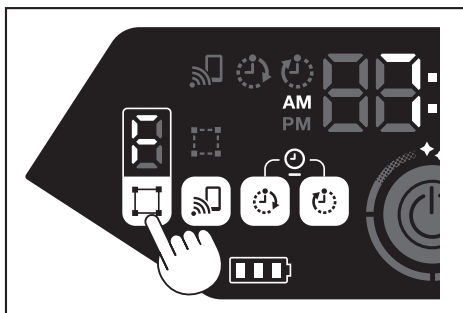
AVIS

- N'utilisez pas l'aspirateur robot dans un lieu étroit ou accidenté.
- Lorsque vous utilisez l'aspirateur robot via la télécommande, veillez à éviter les collisions ou les chutes.
- Si l'aspirateur robot en mouvement arrive face à un obstacle, il recule pour l'éviter.

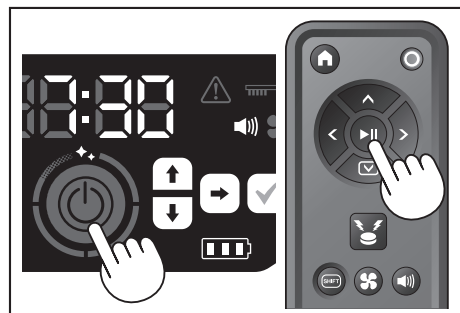
Nettoyage d'une pièce sans cartographie (mode de nettoyage libre)

- Placez l'aspirateur robot à côté d'un mur de la pièce que vous souhaitez nettoyer.
- Mettez l'aspirateur robot en veille. (Consultez la page 16.)
- Appuyez sur le bouton de commutation de mode et sélectionnez [F] (mode de nettoyage libre).

À chaque pression sur le bouton de commutation de mode, le caractère affiché change dans l'ordre suivant : « F, 1, 2, 3, 4, 5, F... » (chaque chiffre représente le numéro d'une pièce).



- Lorsque vous appuyez sur le bouton marche/arrêt, l'aspirateur robot émet un son et commence à nettoyer. (Lorsque le réglage du son est actif)



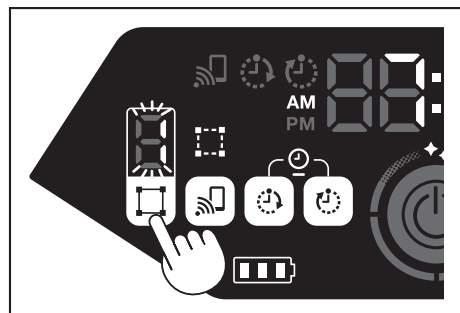
- Quand l'aspirateur robot détermine que le nettoyage est terminé, il revient au point où il a commencé à nettoyer.
 - Lorsque le réglage du son est actif, un son signale la fin du nettoyage. (Consultez la page 23.)
 - L'aspirateur robot calcule sa propre position grâce au capteur LiDAR et au capteur de caméra. Pour que le capteur de caméra fonctionne correctement, il est conseillé de bien éclairer la pièce. Si la pièce est sombre, l'aspirateur robot risque de ne pas réussir à nettoyer certaines zones ou à retrouver le point de départ du nettoyage.

Nettoyage d'une pièce avec la cartographie

Enregistrement des informations relatives aux pièces (cartographie)

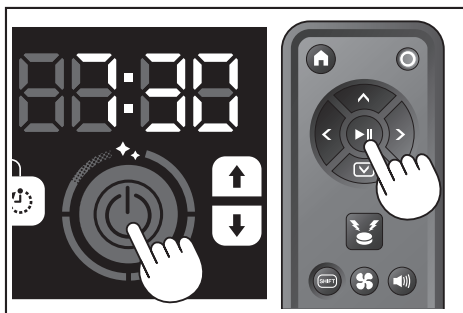
- Lorsque vous avez déjà défini les pièces à nettoyer, l'enregistrement des informations relatives aux pièces (enregistrement d'informations cartographiques) permet un nettoyage plus efficace. Après la fin de la cartographie, vous pouvez vérifier le résultat et définir des zones interdites via l'application.
- Vous pouvez enregistrer jusqu'à cinq pièces.
- Illuminez la pièce lors de la cartographie.
- Ne vous approchez pas de l'aspirateur robot pendant la cartographie.
- Ne soulevez pas l'aspirateur robot pendant la cartographie.
- La cartographie échouera en l'absence d'obstacle d'une hauteur d'au moins 25 cm (9-7/8") dans un rayon d'environ 11 m (36,09 pi) autour de l'aspirateur robot. Dans ce cas, il est conseillé de nettoyer en mode de nettoyage libre. (Consultez « Nettoyage d'une pièce sans cartographie (mode de nettoyage libre) » sur cette page)

- Placez l'aspirateur robot à l'endroit d'où il doit démarrer le nettoyage.
 - Cet emplacement sert de point de départ pour le nettoyage.
 - Il est recommandé de positionner cet emplacement de départ près d'un mur, d'un angle de la pièce ou d'un autre point facile à identifier.
 - Maintenez une distance d'environ 30 cm (11-3/4") par rapport aux murs.
- Mettez l'aspirateur robot en veille. (Consultez la page 16.)
- Sélectionnez un numéro de pièce non cartographiée en pressant le bouton de commutation de mode.
 - [F] désigne le mode de nettoyage libre. (Consultez « Nettoyage d'une pièce sans cartographie (mode de nettoyage libre) » sur cette page.)
 - Les numéros de pièces non cartographiées clignotent et le voyant d'enregistrement de pièce s'allume.
 - Les numéros de pièces cartographiées s'allument en continu et le voyant d'enregistrement de pièce est éteint.



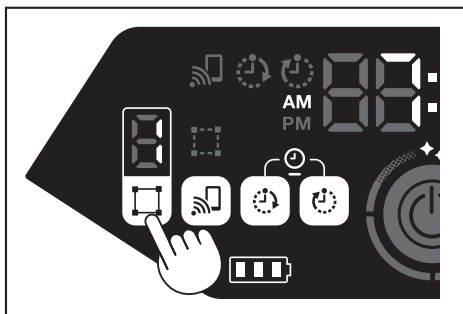
- Lorsque vous appuyez sur le bouton marche/arrêt, l'aspirateur robot commence la cartographie. Après la cartographie, l'aspirateur robot revient au point de départ de la cartographie (point de départ du nettoyage) et termine l'enregistrement de la pièce.
 - Lorsque la cartographie est terminée, l'aspirateur robot passe en veille. L'aspirateur robot peut avoir besoin d'un certain temps avant de passer en veille. Dans ce cas, ne coupez pas l'alimentation.
 - Lorsque le réglage du son est actif, un son signale la fin de la cartographie.

- Si la cartographie échoue, ajoutez manuellement les informations cartographiques à l'aide de l'application. (Consultez la page 41.)

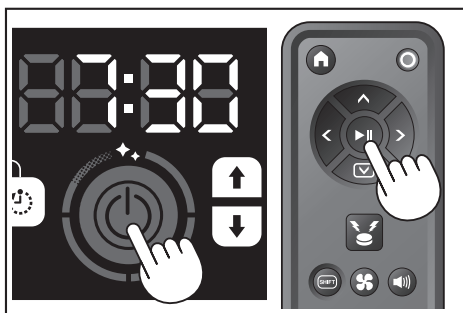


Nettoyage des pièces cartographiées

- En mode de nettoyage cartographique, l'aspirateur robot nettoie plus efficacement les pièces.
 - Vous devez enregistrer des informations cartographiques pour utiliser le mode de nettoyage cartographique. (Consultez « Nettoyage d'une pièce avec la cartographie » à la page 17.)
1. Placez l'aspirateur robot au point de départ de la cartographie. Autant que possible, positionnez l'aspirateur robot selon la même orientation que lors du démarrage de la cartographie. Ainsi, l'aspirateur robot peut commencer à nettoyer plus facilement.
 2. Mettez l'aspirateur robot en veille. (Consultez la page 16.)
 3. Sélectionnez un numéro de pièce cartographiée en pressant le bouton de commutation de mode.
 - [F] désigne le mode de nettoyage libre. (Consultez la page 17.)
 - Les numéros de pièces non cartographiées clignotent et le voyant d'enregistrement de pièce s'allume.
 - Les numéros de pièces cartographiées s'allument en continu et le voyant d'enregistrement de pièce est éteint.



4. Appuyez sur le bouton marche/arrêt pour lancer le nettoyage.



5. À la fin du nettoyage, l'aspirateur robot revient là où il a commencé à nettoyer.
 - Le bouton de niveau de propreté indique quelle proportion de la pièce a été nettoyée.
 - Lorsque le réglage du son est actif, un son signale la fin du nettoyage. (Consultez la page 23.)
 - Si la zone de nettoyage cible est trop vaste pour un seul nettoyage, nous vous conseillons d'utiliser le réglage [Nettoyage continu]. (Consultez la page 44.)

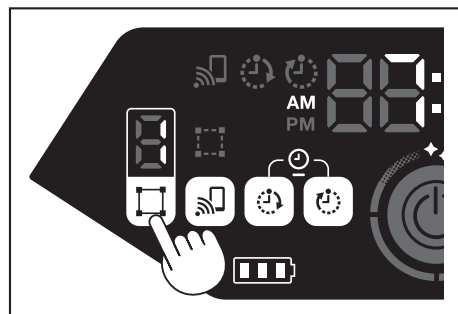
Comprendre le bouton de niveau de propreté

Le bouton de niveau de propreté vous indique le pourcentage de la zone nettoyée pour la pièce cartographiée.

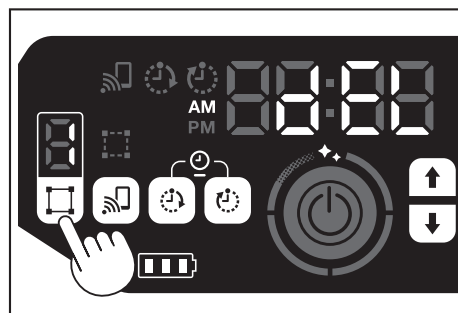
Statut du bouton de niveau de propreté	Pourcentage de la zone de nettoyage terminée
	90 % ou plus
	Entre 75 % et moins de 90 %
	Entre 50 % et moins de 75 %
	Entre 25 % et moins de 50 %

Suppression des informations cartographiques

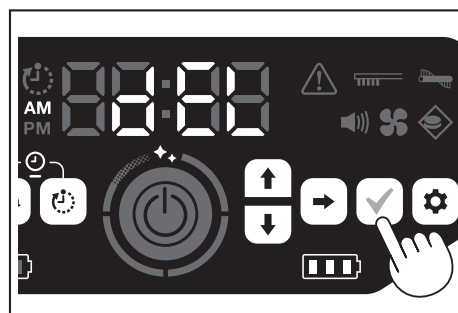
1. Mettez l'aspirateur robot en veille. (Consultez la page 16.)
2. Sélectionnez le numéro de la pièce pour laquelle supprimer des informations cartographiques en pressant le bouton de commutation de mode.
 - À chaque pression sur le bouton de commutation de mode, le numéro de la pièce change dans l'ordre suivant : « F, 1, 2, 3, 4, 5, F... » (Pour [F], vous ne pouvez pas supprimer d'informations cartographiques, car [F] désigne le mode de nettoyage libre.)
 - Un numéro de pièce cartographiée s'allume sur l'affichage.



3. Lorsque vous maintenez le bouton de commutation de mode enfoncé, [dEL] s'affiche pendant environ 10 secondes sur l'indicateur temporel.



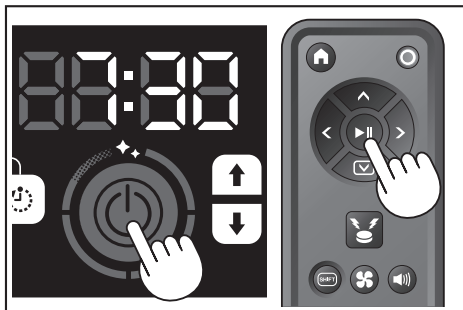
4. Appuyez sur le bouton de confirmation lorsque [dEL] s'affiche.



- Si vous n'appuyez pas sur le bouton de confirmation lorsque [dEL] s'affiche, l'aspirateur robot repasse en veille.
- Lorsque vous avez supprimé les informations cartographiques, le numéro de la pièce sélectionnée clignote et devient non enregistré.

Interruption ou fin du nettoyage

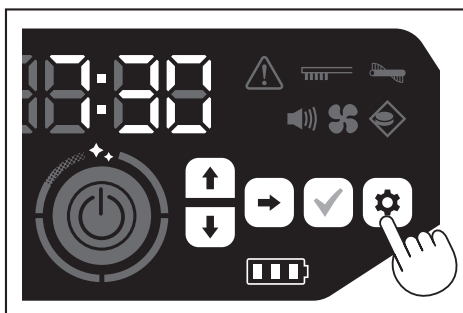
1. Si vous appuyez sur le bouton marche/arrêt pendant le fonctionnement, l'aspirateur robot s'arrête temporairement. Si vous appuyez à nouveau sur le bouton marche/arrêt, l'aspirateur robot reprend les opérations dans le même mode de fonctionnement qu'avant l'arrêt.



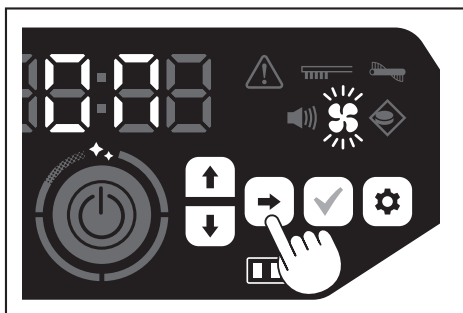
2. Pour quitter le nettoyage pendant le nettoyage, appuyez sur le bouton de point de départ de la télécommande tandis que l'aspirateur robot fonctionne ou est temporairement arrêté. L'aspirateur robot retourne au point de départ du nettoyage et repasse en veille.
 - Pour quitter immédiatement le nettoyage, appuyez sur le bouton de commutation de mode alors que l'aspirateur robot est temporairement arrêté. L'aspirateur robot passe alors en veille.
 - Lorsque vous arrêtez le nettoyage sans retour au point de départ, l'historique de nettoyage risque de ne pas être enregistré correctement.

Activation/désactivation du ventilateur d'aspiration

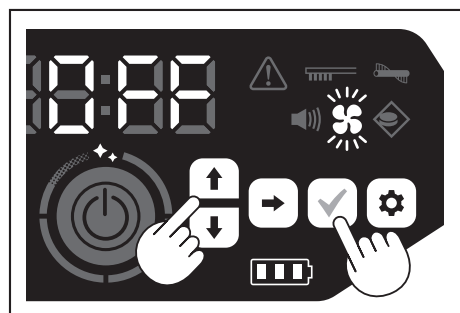
- Lors du nettoyage de poussières importantes et visibles seulement, désactiver le ventilateur d'aspiration permet de presque doubler la durée de fonctionnement.
 - Vous pouvez aussi régler le ventilateur d'aspiration depuis la télécommande ou l'application. (Consultez « Activation/désactivation du ventilateur d'aspiration » sur cette page et « Utilisation de l'aspirateur robot depuis l'application » à la page 38.)
1. Lorsque l'aspirateur robot est en veille, appuyez sur le bouton de réglage pour passer en mode de sélection de réglage.



2. Appuyez sur le bouton suivant pour que le voyant de ventilateur d'aspiration clignote.



3. Vous pouvez utiliser le bouton haut/bas pour basculer entre marche et arrêt. Après avoir sélectionné marche ou arrêt, appuyez sur le bouton de confirmation pour terminer le réglage.
 - Marche : le voyant de ventilateur d'aspiration s'allume.
 - Arrêt : le voyant de ventilateur d'aspiration s'éteint.



AVIS

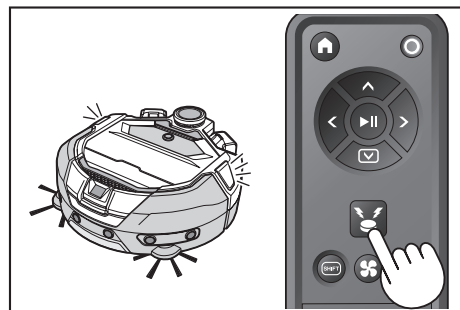
Lorsque le réglage du ventilateur d'aspiration est sur arrêt, le voyant d'entretien du filtre ne s'allume pas, même si le filtre est encrassé.

Activation/désactivation du ventilateur d'aspiration via la télécommande

Lorsque l'aspirateur robot est en veille, vous pouvez activer ou désactiver le ventilateur d'aspiration en pressant le bouton d'activation/désactivation du ventilateur d'aspiration (ON/OFF) de la télécommande. Même pendant le nettoyage, vous pouvez activer ou désactiver le ventilateur via la télécommande.

Utilisation de la fonction de localisation par signal lumineux

- L'aspirateur robot signale son propre emplacement grâce à un bruiteur et à un signal lumineux. Cette fonction est utile lorsque vous ne trouvez pas l'aspirateur robot parce qu'il nettoie une vaste zone ou est entré dans un endroit que vous ne parvenez pas à repérer.
- Lorsque vous appuyez sur le bouton de localisation par signal lumineux/bruiteur de la télécommande, le bruiteur émet un son pendant environ 10 secondes tandis que la DEL de position clignote.
- Pour arrêter la fonction de localisation par signal lumineux en fonctionnement, appuyez sur à nouveau le bouton de localisation par signal lumineux/bruiteur.



AVIS

- Vous ne pouvez pas utiliser la fonction de localisation par signal lumineux dans les cas suivants.
 - Lorsque l'aspirateur robot est hors tension.
 - Lorsque la batterie est complètement vide.
 - Lorsque l'aspirateur robot se trouve hors de portée des ondes radio.
 - Lorsque les piles de la télécommande sont épuisées.
- Bien que vous puissiez utiliser la fonction de localisation par signal lumineux depuis l'application, vous devez connecter à l'avance votre téléphone intelligent et l'aspirateur robot. Quand l'aspirateur robot est en veille, vous ne pouvez pas utiliser la fonction depuis l'application.

Utilisation des minuteries ON/OFF

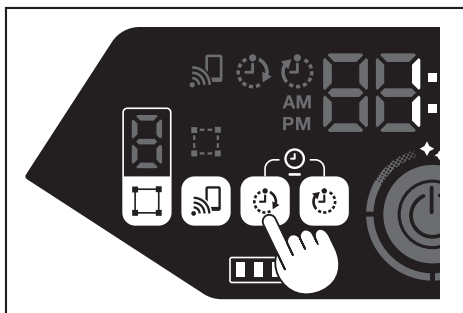
Vous pouvez utiliser simultanément la minuterie ON et la minuterie OFF.

Réglage de la minuterie ON

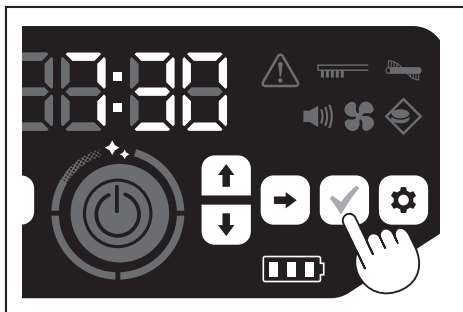
Lorsqu'il arrive à une heure présélectionnée, l'aspirateur robot commence à nettoyer dans le mode de nettoyage choisi. Réglez l'heure avant de régler la minuterie. (Consultez la page 23.)

1. Mettez l'aspirateur robot en veille. (Consultez la page 16.)

- Maintenez le bouton de minuterie ON enfoncé pour changer le réglage de l'heure de la minuterie ON.
 - La procédure de modification est identique à celle du réglage de l'heure (consultez la page 23).
 - Vous pouvez configurer la minuterie ON sur des incréments de 10 minutes.

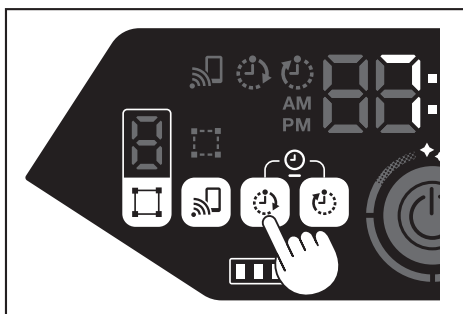


- Appuyez sur le bouton de confirmation pour terminer le réglage de l'heure.



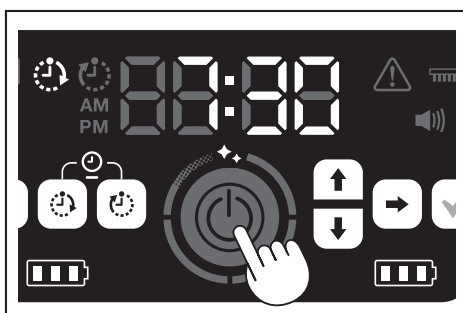
Utilisation de la minuterie ON

- Appuyez sur le bouton de minuterie ON pour activer la fonction de la minuterie ON. Le voyant de minuterie ON s'allume et l'heure de réglage clignote deux fois.
 - Pour annuler la fonction de minuterie ON, appuyez à nouveau sur le bouton de minuterie ON afin de désactiver le voyant de minuterie ON.



- Sélectionnez le mode de fonctionnement de l'aspirateur robot. (Consultez les pages 17 et 18.)
- Lorsque vous appuyez sur le bouton marche/arrêt, le nettoyage via la fonction de minuterie ON est programmé. (Veille)

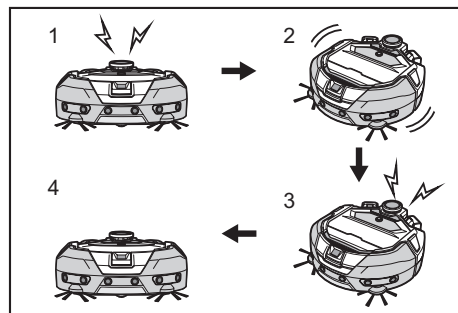
Pour annuler la fonction de minuterie ON en veille, appuyez à nouveau sur le bouton marche/arrêt pour que l'aspirateur robot passe en veille. Pour voir l'heure de réglage après la programmation, appuyez sur n'importe quel bouton autre que le bouton marche/arrêt. L'heure de réglage s'allume alors pendant 3 secondes.



AVIS

- Les informations programmées sont annulées lors de la mise hors tension ou lorsque la charge restante de la batterie est complètement épuisée.
- Lorsque les batteries sont faibles, l'aspirateur robot ne peut pas attendre le fonctionnement via la minuterie ON programmée. Pour l'utilisation via la minuterie ON programmée, il est recommandé de charger complètement les batteries.
- Vous ne pouvez pas faire fonctionner via la minuterie ON programmée lorsque l'alimentation est coupée.
- Lorsque vous avez réglé la minuterie ON, le temps d'utilisation diminuera car l'aspirateur robot consomme de l'énergie pendant la veille.

- Exemple d'utilisation : utiliser l'aspirateur robot en nettoyage automatique le matin. (Réglez la minuterie ON sur 7:30 et la minuterie OFF sur 9:00.)



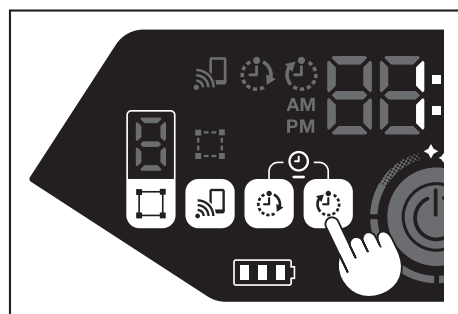
- Démarre à 7:30. (Minuterie ON) 2. Nettoyage 3. Termine le nettoyage à 9:00. (Minuterie OFF) 4. Revient au point de départ.

- Lorsque vous réglez les heures/minutes, celles-ci défilent rapidement si vous maintenez le bouton haut/bas enfoncé.
- Lorsque vous avez déjà réglé l'heure de la minuterie, il vous suffit de suivre la procédure « Utilisation de la minuterie ON » sur cette page.

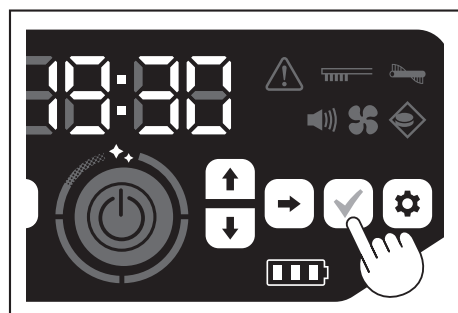
Réglage de la minuterie OFF

Lorsqu'un horaire présélectionné arrive après le début du nettoyage, l'aspirateur robot termine le nettoyage et revient au point de départ. Réglez l'heure avant de régler la minuterie. (Consultez la page 23.)

- Mettez l'aspirateur robot en veille. (Consultez la page 16.)
- Maintenez le bouton de minuterie OFF enfoncé pour changer le réglage de l'heure de la minuterie OFF.
 - La procédure de modification est identique à celle du réglage de l'heure. (Consultez la page 23.)
 - Vous pouvez configurer la minuterie OFF sur des incréments de 10 minutes.



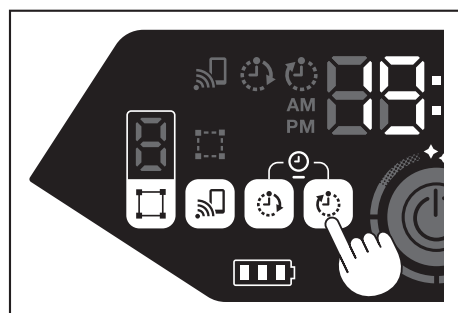
- Appuyez sur le bouton de confirmation pour terminer le réglage de l'heure.



Utilisation de la minuterie OFF

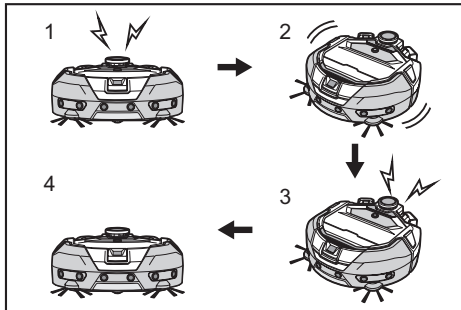
Appuyez sur le bouton de minuterie OFF pour activer la fonction de la minuterie OFF. Le voyant de minuterie OFF s'allume et l'heure de réglage clignote deux fois.

- Pour démarrer immédiatement le nettoyage et utiliser la minuterie OFF, sélectionnez le mode de nettoyage et commencez le nettoyage.
- Pour utiliser la minuterie OFF avec la minuterie ON, consultez la page 19.
- Pour annuler la minuterie OFF, appuyez à nouveau sur le bouton de minuterie OFF lorsque l'aspirateur robot est en veille.



AVIS

- Le réglage de la minuterie OFF est désactivé lors de la mise hors tension ou lorsque la charge restante de la batterie est complètement épuisée.
- Lorsque la charge restante de la batterie est faible, il se peut que l'aspirateur robot cesse de fonctionner avant l'heure réglée pour la minuterie OFF.
- Selon l'environnement de nettoyage, l'aspirateur robot peut avoir besoin de temps pour revenir au point de départ. Dans ce cas, réglez une heure plus précoce pour la minuterie OFF.
- Exemple d'utilisation : utiliser l'aspirateur robot en nettoyage automatique seulement 30 minutes le soir. (Réglez la minuterie ON sur 19:00 et la minuterie OFF sur 19:30.)



- ▶ 1. Démarre à 19:00. (Minuterie ON) 2. Nettoyage 3. Termine le nettoyage à 19:30. (Minuterie OFF) 4. Revient au point de départ.

- Lorsque vous réglez les heures/minutes, celles-ci défilent rapidement si vous maintenez le bouton haut/bas enfoncé.
- Lorsque vous avez déjà réglé l'heure de la minuterie, il vous suffit de suivre la procédure « Utilisation de la minuterie OFF » à la page 20.

Contrôle de la plage de nettoyage

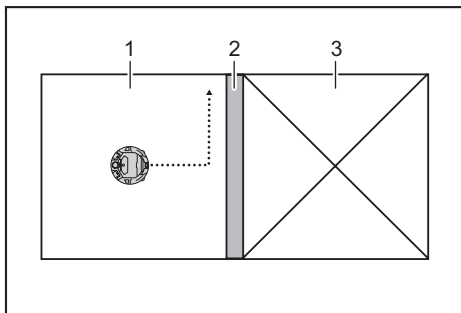
⚠ MISE EN GARDE

N'utilisez pas la ligne de limite magnétique pour délimiter une zone où un accident pourrait survenir en raison d'une intrusion ou d'une chute.

- Cela pourrait provoquer un accident ou des blessures, du fait de l'intrusion ou de la chute de l'aspirateur robot.

Dans une zone présentant un risque d'intrusion ou de chute de l'aspirateur robot, placez sur une surface plane un objet d'une hauteur d'au moins 25 cm (9-7/8") pour qu'il serve de mur (il ne doit pas bouger ou basculer en cas de collision avec l'aspirateur robot).

- La plage de nettoyage peut être restreinte en fixant la ligne de limite magnétique (vendue séparément) au sol pour créer une ligne de restriction. L'aspirateur robot détecte et évite la ligne de limite magnétique.
- Réglez la plage de nettoyage de l'aspirateur robot dans les cas suivants.

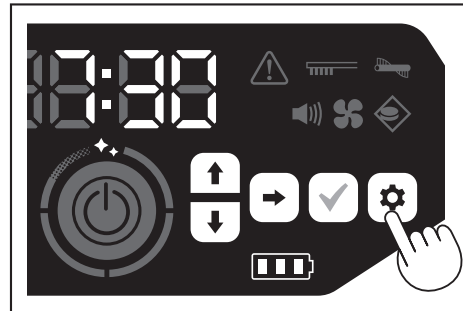


- ▶ 1. Zone de nettoyage 2. Ligne de limite magnétique 3. Zone où l'aspirateur robot ne doit pas se rendre

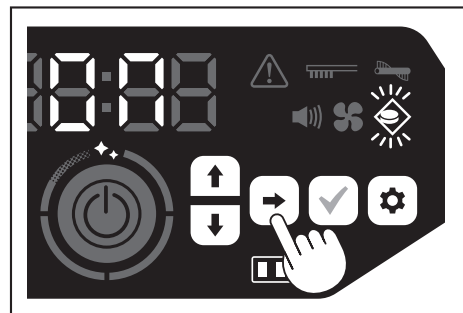
- Lorsque vous souhaitez diviser un espace trop vaste pour un seul nettoyage en plusieurs zones de nettoyage.
- Lorsque vous ne souhaitez pas que le robot se rende dans une certaine zone.
- Lorsqu'il existe une zone dans laquelle l'aspirateur robot peut entrer, mais dont il ne peut pas sortir.
- Lorsque l'aspirateur robot franchit une petite marche, mais chute.
- Lorsque l'aspirateur robot reste bloqué sur une marche.

- Positionnez la ligne de limite magnétique en gardant les points suivants à l'esprit.
 - Vérifiez qu'il n'y a pas d'espace entre la ligne de limite magnétique et le sol.
 - Installez la ligne de limite magnétique à environ 15 cm (5-7/8") de la zone où l'aspirateur robot ne doit pas entrer.
 - Placez la ligne de limite magnétique sur un sol aussi plat que possible pour qu'elle reste stable. Dans le cas contraire, l'aspirateur robot risque de déplacer la ligne et de ne plus la détecter correctement.
 - Il se peut que l'aspirateur robot ne reconnaisse pas une ligne de limite magnétique placée sur une surface concave ou échelonnée.

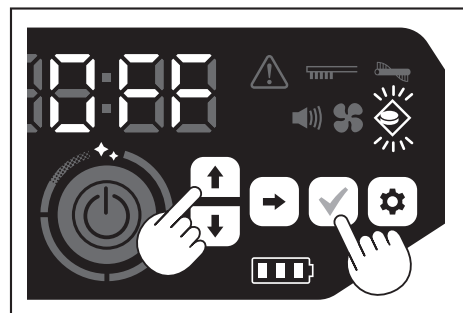
- Assurez-vous que la ligne de limite magnétique est un produit d'origine. Si ce n'est pas un produit d'origine, les performances et la sécurité ne sont pas garanties.
 - Il se peut que certains sols soient sales. Vérifiez qu'ils sont suffisamment propres avant l'utilisation.
 - Selon la surface du sol et l'environnement d'utilisation, le capteur magnétique pour la détection des limites risque de ne pas reconnaître la ligne de limite magnétique ou cette dernière risque de se salir ou d'être déchirée. Vérifiez qu'ils sont suffisamment propres avant l'utilisation.
- Lorsque l'aspirateur robot est en veille, appuyez sur le bouton de réglage pour passer en mode de sélection de réglage.



- Appuyez sur le bouton suivant pour que le voyant de détection des limites clignote.



- Vous pouvez utiliser le bouton haut/bas pour basculer entre marche et arrêt. Après avoir sélectionné marche ou arrêt, appuyez sur le bouton de confirmation pour terminer le réglage.
 - Marche : le voyant de détection des limites s'allume.
 - Arrêt : le voyant de détection des limites s'éteint.



AVIS

- La fonction de détection des limites se base sur la reconnaissance de la ligne de limite magnétique par un capteur magnétique. Si la ligne de limite magnétique est déchirée ou mal plaquée au sol, etc., elle risque de ne pas être reconnue.
- Vérifiez régulièrement qu'elle n'est pas déchirée, n'a pas dévié de sa position et ne présente aucun autre problème. Si vous constatez un problème, par exemple une déchirure, remplacez la ligne par une neuve.
- La fonction de détection des limites peut s'activer près d'un objet magnétique. Lorsque vous ne souhaitez pas utiliser la fonction de détection des limites, désactivez-la.
- Dans les zones très fréquentées, la ligne de limite magnétique risque d'être piétinée et endommagée. En cas de détérioration, remplacez-la par une neuve.
- Selon le matériau du sol, il est conseillé de coller la ligne de limite magnétique au sol. Sinon, l'aspirateur robot pourrait la déplacer lorsqu'il la détecte.
- Vous pouvez couper la ligne de limite magnétique avec des ciseaux.

Fixation, retrait et utilisation des articles vendus séparément

Reportez-vous aux pages indiquées ci-dessous pour savoir comment fixer, retirer et utiliser les articles vendus séparément.


Articles vendus séparément	Page de référence	Remarques
Ligne de limite magnétique	21	–
Brosse principale Brosse principale souple	26	La procédure de manipulation est identique à celle de la brosse principale fournie.
Filtre HEPA	25	Identique au filtre HEPA fourni.
Brosse latérale Brosse latérale souple	26	La procédure de manipulation est identique à celle des brosses latérales fournies.
Batterie	15	–
Couvercle de brosse principale	26	Identique au couvercle de brosse principale fourni.
Coussin de pare-chocs	–	Un coussin anti-rayures à fixer à l'aspirateur robot pour protéger les objets.

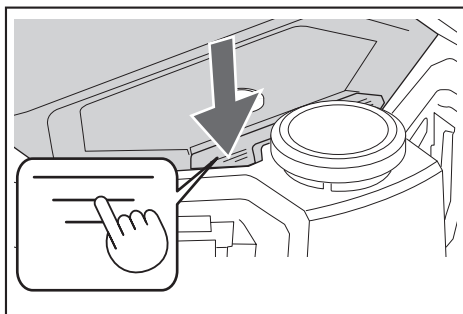
Mise au rebut des déchets

⚠ MISE EN GARDE

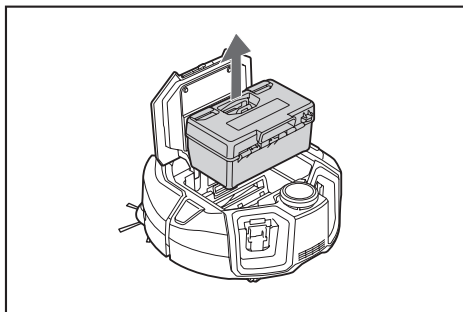
Veillez à couper l'alimentation et à retirer les batteries de l'aspirateur robot avant d'ouvrir le couvercle supérieur de l'aspirateur robot.

- S'il reste une batterie dans l'aspirateur robot, cela pourrait provoquer un choc électrique ou des blessures.

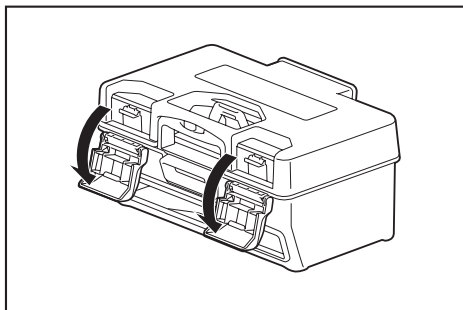
1. Appuyez sur le bouton d'ouverture () pour ouvrir le couvercle supérieur. Faites preuve de vigilance, car le couvercle supérieur s'ouvre rapidement.



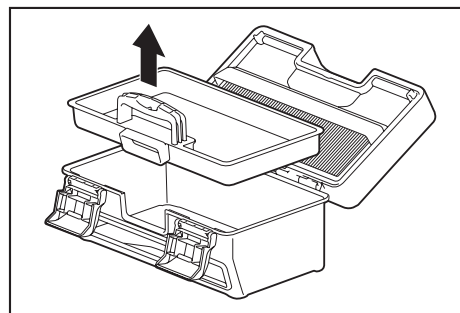
2. Sortez la boîte à poussière. Ne tenez pas la boîte à poussière en orientant sa partie avant vers le bas. De la poussière pourrait tomber de l'ouverture.



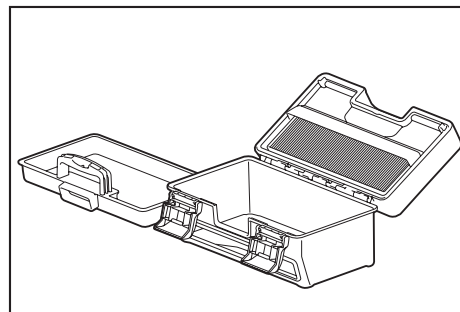
3. Libérez les deux parties verrouillées pour ouvrir le couvercle supérieur.



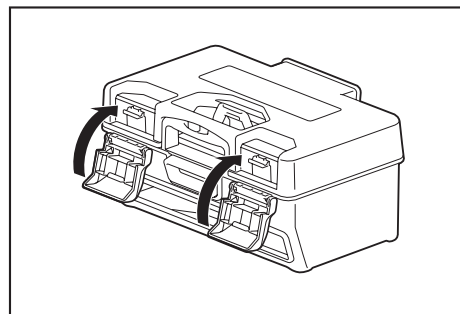
4. Sortez le bac à poussière. Veillez à ne pas ouvrir le couvercle supérieur côté filtre.



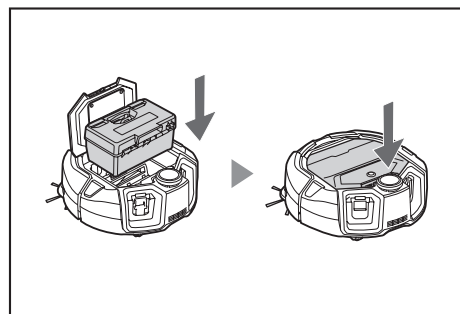
5. Jetez le contenu du bac et de la boîte à poussière, puis retirez la saleté et la poussière du filtre. Si le filtre est trop encrassé, retirez-le et nettoyez-le à l'eau. (Consultez la page 25.)



6. Réinsérez le bac à poussière dans la boîte à poussière. Puis, fermez le couvercle supérieur et réinsérez les deux parties de verrouillage.



7. Remplacez la boîte à poussière dans l'aspirateur robot et fermez le couvercle supérieur en appuyant dessus jusqu'à entendre un déclic. Lorsque vous fermez le couvercle supérieur, veillez à ne pas vous coincer les doigts.



AVIS

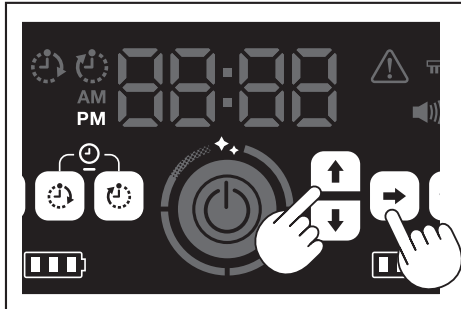
- À la fin de chaque nettoyage, jetez les déchets et nettoyez le filtre. Si vous poursuivez le nettoyage sans jeter les déchets, le filtre s'encrasse et la puissance d'aspiration diminue.
- Fixez correctement la boîte à poussière et le filtre.

Réglage de l'aspirateur robot

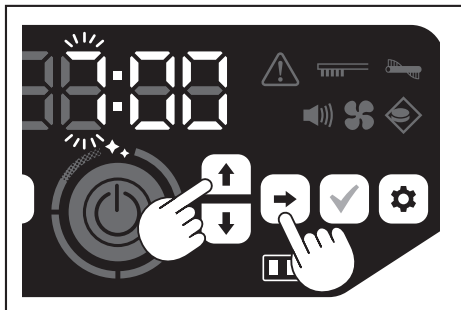
Réglage de l'heure

Lors de la première utilisation, commencez par régler l'heure.

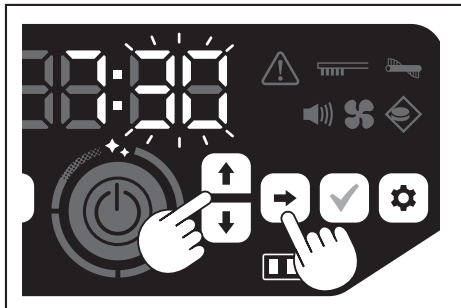
1. À l'aide des boutons haut/bas, sélectionnez le format d'affichage entre [AM] et [PM] ou sans distinction (rotation sur 24 heures), puis appuyez sur le bouton suivant pour confirmer la sélection.
Lorsque vous appuyez sur le bouton suivant, les heures clignent.



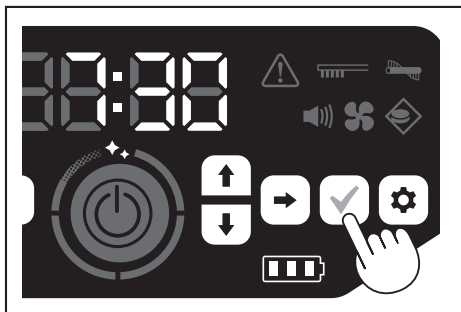
2. Sélectionnez les heures à l'aide des boutons haut/bas, puis appuyez sur le bouton suivant pour confirmer la sélection.
Lorsque vous appuyez sur le bouton suivant, les minutes clignent.



3. Sélectionnez les minutes à l'aide des boutons haut/bas, puis appuyez sur le bouton suivant pour confirmer la sélection.



4. Appuyez sur le bouton de confirmation pour terminer le réglage de l'heure.



AVIS

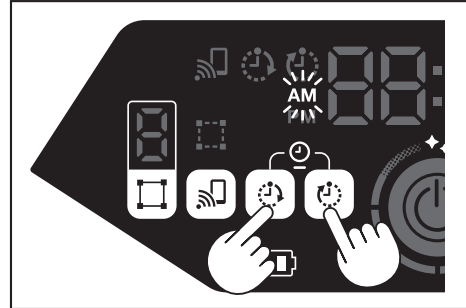
- Lorsque vous réglez les heures/minutes, celles-ci défilent rapidement si vous maintenez le bouton haut/bas enfoncé.
- Lorsque vous n'utilisez pas l'aspirateur robot pendant une longue période, l'heure peut se dérégler du fait de la température de stockage ou se réinitialiser si la batterie intégrée se décharge.

Nouveau réglage de l'heure

Lorsque vous n'utilisez pas l'aspirateur robot pendant une longue période, le réglage de l'heure n'est plus exact ou se réinitialise.

Quand vous connectez l'aspirateur robot à un téléphone intelligent via l'application, l'heure du téléphone intelligent est automatiquement définie sur l'aspirateur robot. Si vous souhaitez régler l'heure manuellement, effectuez la procédure suivante.

1. Mettez l'aspirateur robot en veille. (Consultez la page 16.)
2. Maintenez simultanément enfoncés le bouton de minuterie ON et le bouton de minuterie OFF pour que le format de l'heure [AM] ou [PM] clignote (ne clignote pas lorsque le précédent réglage était la rotation sur 24 heures).



3. Réglez l'heure en suivant la procédure « Réglage de l'heure » sur cette page à partir de l'étape 1.

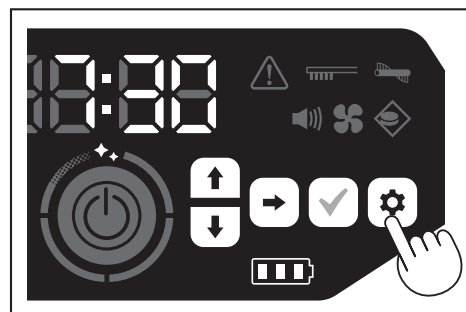
Réglage du Wi-Fi® (aspirateur robot et téléphone intelligent)

- Pour utiliser l'aspirateur robot depuis l'application, effectuez les réglages Wi-Fi® de l'application et de l'aspirateur robot. (Consultez la page 35.)
- Tout d'abord, installez l'application sur votre téléphone intelligent.
- L'aspirateur robot sert de point d'accès au téléphone intelligent. Lorsqu'un smartphone est connecté à l'aspirateur robot, le téléphone intelligent ne se connecte à aucun réseau autre que l'aspirateur robot.
- Pour connecter un téléphone intelligent à l'aspirateur robot, appuyez sur le bouton de raccordement de smartphone afin d'activer le Wi-Fi.
- Lorsque vous n'utilisez pas le Wi-Fi, appuyez sur le bouton de raccordement de smartphone afin d'éteindre le voyant de raccordement de smartphone.
- Vous pouvez gérer plusieurs aspirateurs robots avec une seule application. Dans ce cas, établissez la connexion sans fil avec l'application pour chaque appareil.

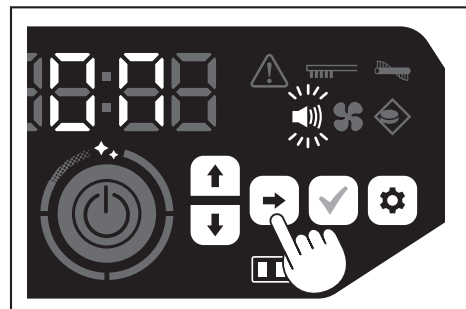
Réglage du son

- Vous pouvez sélectionner si l'aspirateur robot doit émettre des sons ou non.
- Ce réglage du son est également possible depuis la télécommande.

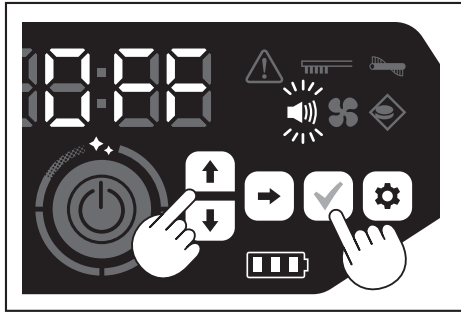
1. Lorsque l'aspirateur robot est en veille, appuyez sur le bouton de réglage pour passer en mode de sélection de réglage.



2. Appuyez sur le bouton suivant pour que le voyant de son clignote.



- Vous pouvez utiliser les boutons haut/bas pour basculer entre marche et arrêt. Après avoir sélectionné marche ou arrêt, appuyez sur le bouton de confirmation pour terminer la sélection.
 - Marche : le voyant de son s'allume (son actif).
 - Arrêt : le voyant de son s'éteint (son inactif).



AVIS

Même si vous désactivez le réglage du son, l'aspirateur robot peut utiliser un signal sonore pour vous avertir d'une erreur, etc.

Activation et désactivation du son via la télécommande

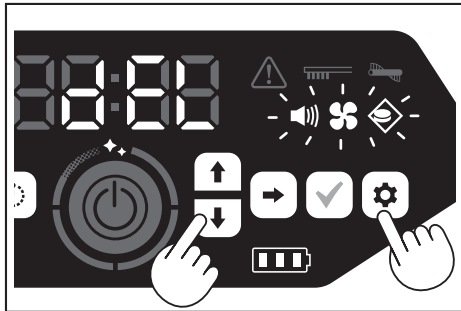
Lorsque l'aspirateur robot est en veille, appuyez sur le bouton d'activation/désactivation de son (ON/OFF) de la télécommande pour faire basculer le réglage du son entre marche et arrêt.

Même pendant le nettoyage, vous pouvez faire basculer le réglage du son entre marche et arrêt depuis la télécommande.

Réinitialisation des réglages

Vous pouvez réinitialiser les réglages de l'aspirateur robot sur les paramètres par défaut.

- Mettez l'aspirateur robot en veille. (Consultez la page 16.)
- Maintenez enfoncés le bouton bas et le bouton de réglage. [dEL] s'affiche sur l'indicateur temporel et les icônes et les voyants autres que le voyant d'erreur clignotent.



- Appuyez sur le bouton de confirmation lorsque [dEL] s'affiche (environ 10 secondes).
 - Si vous n'appuyez pas sur le bouton de confirmation lorsque [dEL] s'affiche, l'aspirateur robot repasse en veille.
 - Lorsque l'aspirateur robot exécute le processus de réinitialisation, les icônes et les voyants autres que le voyant d'alimentation de la batterie s'éteignent. Bien que l'aspirateur robot ne fonctionne pas à ce stade même si vous appuyez sur les boutons du panneau d'utilisation, ne touchez pas ces derniers. De plus, ne retirez pas les batteries.

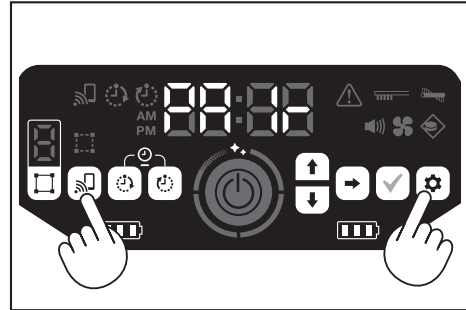


- Lorsque le processus de réinitialisation est terminé, l'appareil redémarre et l'écran de réglage de l'heure s'affiche.

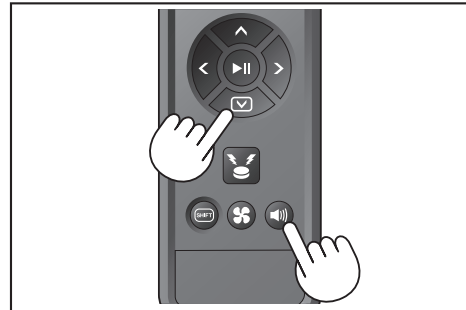
Couplage de l'aspirateur robot et de la télécommande

Lorsque vous remplacez la télécommande par une neuve, coupez l'aspirateur robot et la télécommande.

- Maintenez simultanément enfoncés le bouton de raccordement de smartphone et le bouton de réglage pour que [PAIr] s'affiche sur l'indicateur temporel. [PAIr] s'affiche pendant 10 secondes.



- Lorsque [PAIr] s'affiche, appuyez sur simultanément le bouton d'action (bas) et le bouton d'activation/désactivation de son (ON/OFF) de la télécommande. Lorsque le couplage est effectué, l'aspirateur robot émet deux bips brefs et repasse en veille.



AVIS

- En cas d'échec du couplage, un son d'erreur est émis.
- Si l'aspirateur robot ne reçoit pas de signal de la télécommande alors que [PAIr] est affiché, il repasse en veille.

Entretien

⚠ MISE EN GARDE

Veillez à couper l'alimentation et à retirer les batteries de l'aspirateur robot avant d'effectuer l'entretien de l'aspirateur robot.

- S'il reste une batterie dans l'aspirateur robot, cela pourrait provoquer un choc électrique ou des blessures.

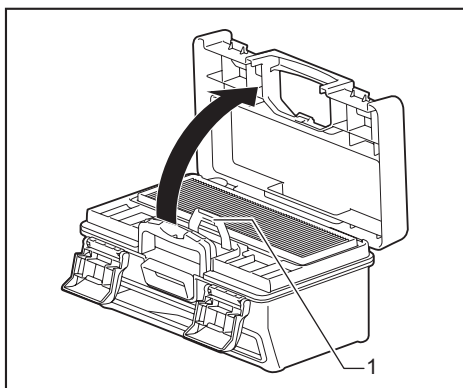
⚠ ATTENTION

Pour conserver des performances optimales, effectuez régulièrement la maintenance indiquée dans cette section. En cas de problème, cessez d'utiliser l'aspirateur robot et contactez le magasin où vous l'avez acheté ou notre bureau de vente pour organiser une inspection et les réparations nécessaires.

Maintenance

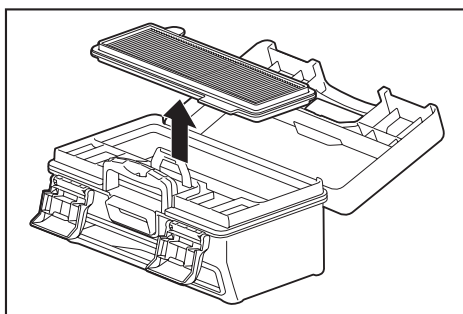
Entretien et remplacement de la boîte à poussière et du filtre

- Lorsque la puissance d'aspiration de l'aspirateur robot diminue, quand vous remarquez de la saleté ou quand le voyant d'entretien du filtre s'allume, retirez le filtre et lavez-le à l'eau.
 - Installez du papier journal ou autre avant l'entretien.
 - N'utilisez pas de produits chimiques ou d'eau chaude à 40 °C (104 °F) ou plus.
1. Mettez les déchets au rebut conformément aux étapes 1 à 5 de « Mise au rebut des déchets ». (Consultez la page 22).
 2. Réinsérez le bac à poussière dans la boîte à poussière et fermez le couvercle supérieur de la boîte à poussière.
 3. Retirez le crochet et ouvrez le couvercle supérieur côté filtre.

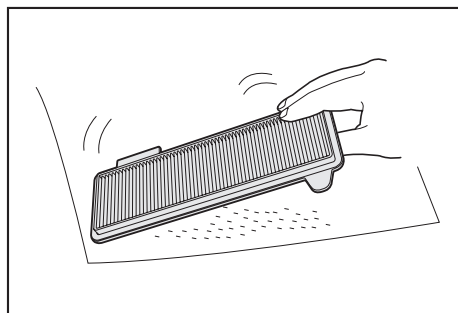


► 1. Crochet

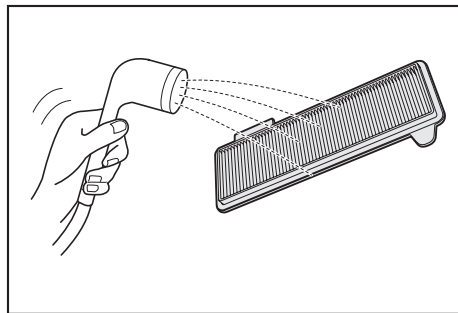
4. Retirez le filtre de la boîte à poussière.
Retirez doucement le filtre afin de ne pas soulever la poussière.



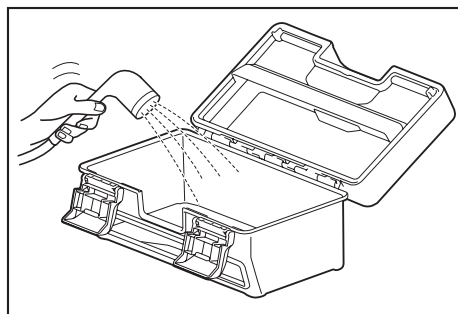
5. Faites tomber la poussière et la saleté en tapotant le filtre.
 - Ne frottez pas le filtre avec force et n'appuyez pas dessus avec les doigts.
 - N'utilisez pas d'objet pointu (par exemple un cure-dent), car il pourrait endommager le filtre.



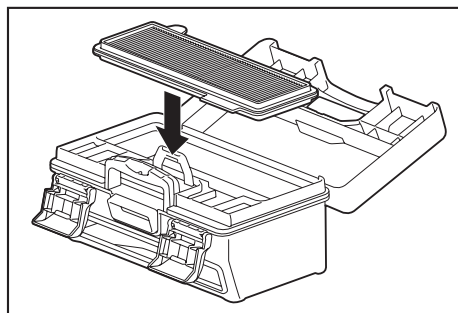
6. Si la puissance d'aspiration de l'aspirateur robot est faible, lavez le filtre à l'eau. Si l'odeur vous gêne, laissez le filtre reposer environ trois heures dans du détergent neutre dilué, puis lavez-le à l'eau.



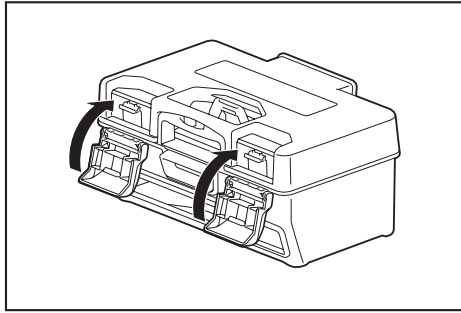
7. Lorsque la saleté de la boîte à poussière est visible, lavez-la à l'eau ou avec du détergent neutre dilué.



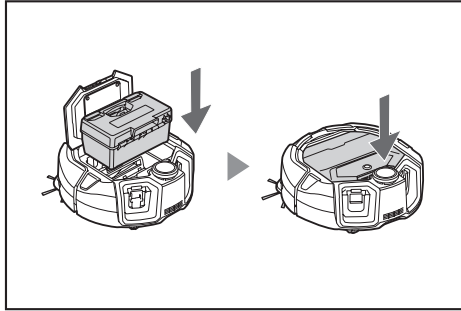
8. Après avoir lavé le filtre ou la boîte à poussière à l'eau, séchez-les bien dans un endroit assez aéré, sans exposition à la lumière directe du soleil.
 - Si vous utilisez des pièces sans les avoir correctement séchées, cela peut réduire la puissance d'aspiration et la durée de vie du moteur.
 - L'utilisation de pièces encore humides risque de provoquer une odeur ou une défaillance.
 - Le temps de séchage est d'environ une journée.
 - Évitez de sécher à l'aide d'un sèche-cheveux, d'un ventilateur, etc.
9. Fixez le filtre à la boîte à poussière.



10. Fermez le couvercle supérieur côté filtre et assurez-vous de réinstaller le crochet. Ensuite, réinsérez les deux parties de verrouillage.



11. Remplacez la boîte à poussière dans l'aspirateur robot et fermez le couvercle supérieur en appuyant dessus jusqu'à entendre un dé clic. Lorsque vous fermez le couvercle supérieur, veillez à ne pas vous coincer les doigts.

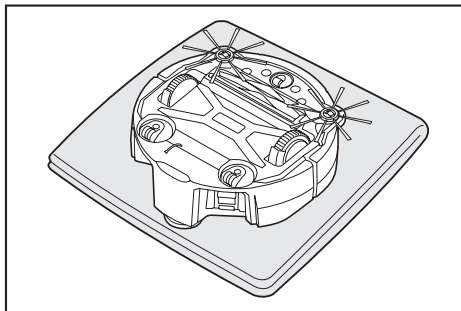


AVIS

- N'utilisez pas l'aspirateur robot si le filtre a été retiré. N'utilisez pas l'aspirateur robot si le filtre est endommagé ou sale.
- Vous pouvez nettoyer le filtre avec de l'eau. Lavez régulièrement à l'eau pour retirer la poussière (à intervalles d'un à deux mois).
- En cas de détérioration du filtre, remplacez-le par un neuf.
- Le filtre étant une pièce consommable, il est recommandé d'en avoir un en rechange.
- Ne récuriez pas le filtre avec un objet dur, par exemple une brosse ou une spatule, car cela l'endommagerait.
- Ne nettoyez pas le filtre HEPA avec une soufflerie à air ou un nettoyeur haute pression, car cela l'endommagerait facilement.

Précautions à prendre lors de l'entretien du dessous de l'aspirateur robot

- Retirez la boîte à poussière avant d'effectuer la maintenance. (Consultez la page 22.) Dans le cas contraire, de la poussière pourrait tomber de l'ouverture.
- Retournez l'aspirateur robot avant d'effectuer l'entretien des brosses latérales, de la brosse principale, du dessous de l'aspirateur robot et des roues.
- Pour la maintenance, installez un tapis épais ou similaire sur lequel poser l'aspirateur robot pour ne pas l'endommager et protéger le sol, ainsi que pour éviter toute pression sur le capteur LiDAR.




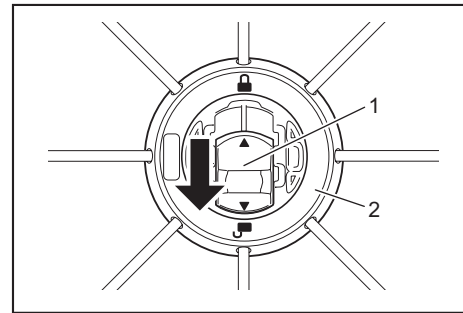
- N'exercez pas de pression forte sur le dessous de l'aspirateur robot lorsque ce dernier est retourné. Une forte pression endommagerait l'aspirateur robot.

Entretien et remplacement des brosses latérales

- En cas d'indication d'une erreur (consultez la page 29) ou si de la poussière et des cheveux se coincent dans une brosse latérale, nettoyez cette dernière.
- Si les poils d'une brosse latérale se tordent ou tombent, remplacez-la par une neuve.
- Si une brosse latérale ne tourne pas, ou avec difficulté, retirez-la et nettoyez-la.

1. Retournez l'aspirateur robot sur un tapis, etc.

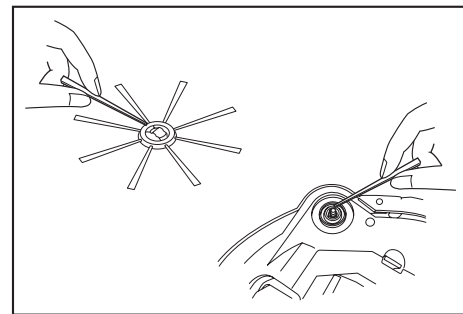
2. Faites glisser le levier de verrouillage de la brosse latérale vers  (symbole du déverrouillage).



- 1. Levier de verrouillage 2. Brosse latérale

3. Retirez la brosse latérale.

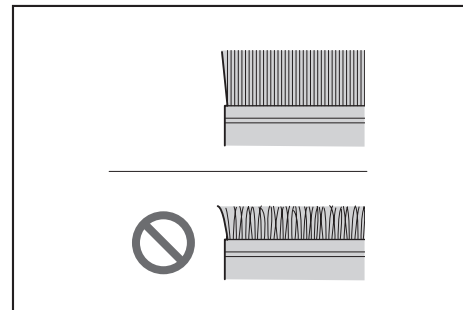
4. Retirez les cheveux et la poussière coincés dans la brosse latérale à l'aide d'une pince à épiler ou d'un outil similaire.



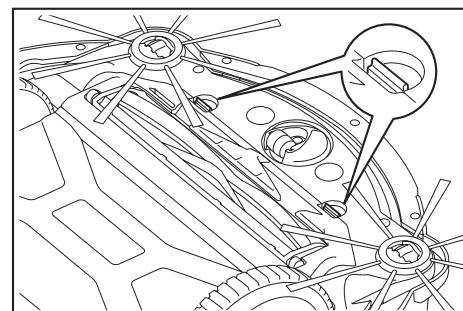
5. Fixez la brosse latérale à l'aspirateur robot. (Consultez la page 14.)

Entretien et remplacement de la brosse principale

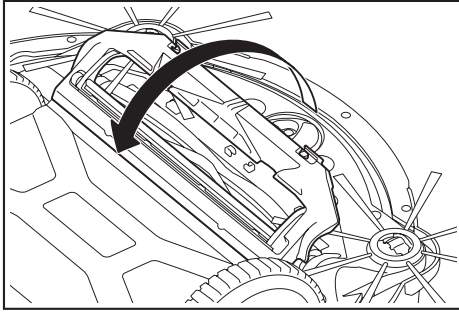
- En cas d'indication d'une erreur (consultez la page 29) ou si de la poussière et des cheveux se coincent dans la brosse principale, nettoyez cette dernière.
- Si les poils de la brosse principale s'usent et rétrécissent, remplacez la brosse principale.



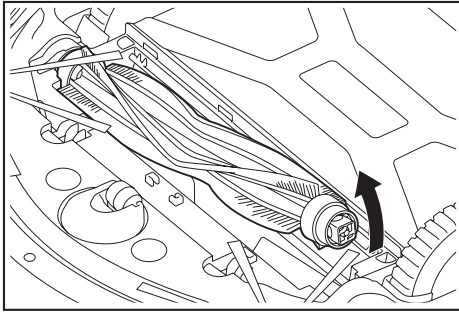
1. Retournez l'aspirateur robot sur un tapis, etc.
2. Libérez les crochets du couvercle de brosse principale.



3. Retirez le couvercle de brosse principale.
Ne démontez pas le couvercle de brosse principale.

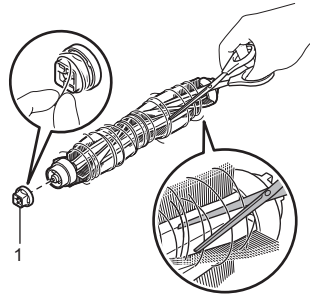


4. Retirez la brosse principale.

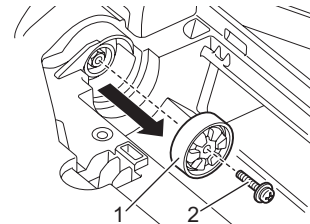


5. Procédez à l'entretien de la brosse principale, du couvercle de brosse principale, de logement de la brosse principale et des joints comme indiqué ci-dessous.

Pièce	Procédure d'entretien
Brosse principale	Retirez le capuchon de palier fixé à la brosse principale et ôtez la poussière coincée. Si des peluches et des cheveux sont coincés, raccourcissez-les bien le long des poils de la brosse à l'aide de ciseaux, puis retirez-les. Si des poussières sont difficiles à retirer, lavez à l'eau.
Couvercle de brosse principale	Essuyez-le avec un tissu humidifié dans de l'eau ou du détergent neutre dilué. Si la saleté est visible, lavez à l'eau.
Logement de brosse principale	Essuyez-le avec un tissu humidifié dans de l'eau ou du détergent neutre dilué. Vous ne pouvez pas le laver à l'eau.
Joints	Pour les joints fixés à l'aspirateur robot, desserrez la vis à l'aide d'un tournevis tout en maintenant le joint avec la main. Ensuite, retirez le joint. Retirez la poussière coincée dans l'aspirateur robot.

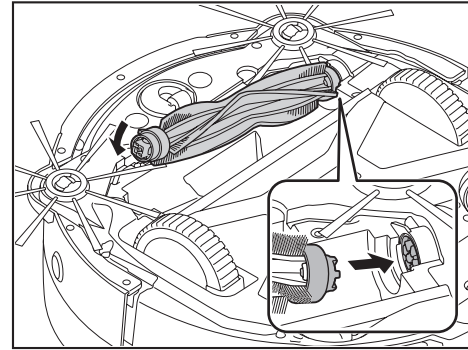


► 1. Capuchon de palier

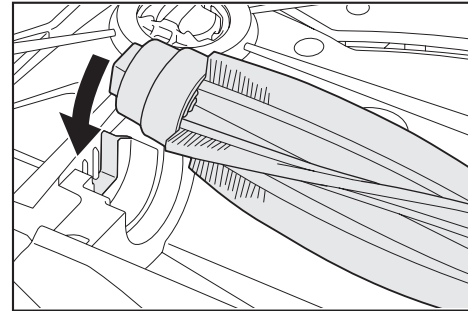


► 1. Joint 2. Vis

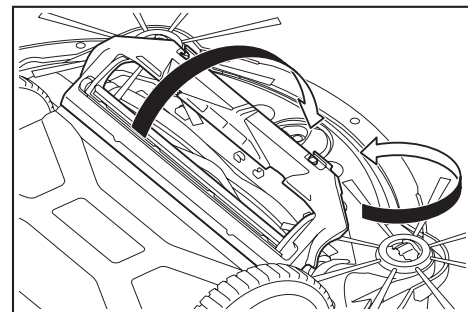
6. Séchez suffisamment les pièces lavées à l'eau dans un endroit bien aéré, sans exposition à la lumière directe du soleil.
- Si vous utilisez des pièces sans les avoir correctement séchées, cela peut réduire la puissance d'aspiration et la durée de vie du moteur.
 - L'utilisation de pièces encore humides risque de provoquer une odeur ou une défaillance.
 - Le temps de séchage est d'environ une journée.
 - Évitez de sécher à l'aide d'un sèche-cheveux, d'un ventilateur, etc.
7. Remplacez le capuchon de palier dans sa position d'origine sur la brosse principale.
8. Fixez les joints sur l'aspirateur robot à l'aide des vis.
9. Fixez la brosse principale de sorte que la forme du support de la brosse principale s'adapte à la rainure des joints de l'aspirateur robot.



10. Tournez le capuchon de palier pour aligner, puis insérez dans l'aspirateur robot.



11. Fixez le couvercle de brosse principale (enfoncez le crochet jusqu'à ce qu'un déclic retentisse).
- Assurez-vous que les brosses latérales ne se coincent pas dans le couvercle de brosse principale.
 - Pour éviter d'accrocher les brosses latérales, retirez-les temporairement ou fixez le couvercle de brosse principale en tournant les brosses latérales dans le sens indiqué sur l'illustration.

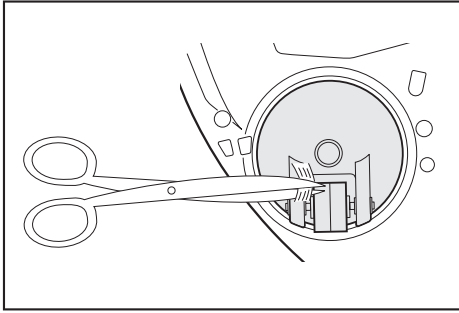


AVIS

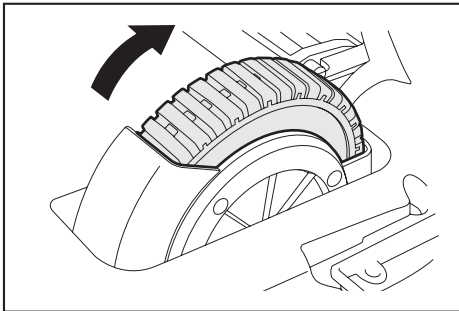
N'utilisez pas de diluant, de benzène, d'alcool, etc., car cela pourrait provoquer une détérioration ou une décoloration.

Entretien des roues

- Nettoyez les roues lorsque de la poussière et des cheveux y sont coincés.
- Ne retirez pas les roues de l'aspirateur robot.
- Retirez la poussière coincée dans les roulettes. Si vous rencontrez des difficultés, utilisez des ciseaux fins, une pince à épiler, etc.



- Retirez la saleté des roues motrices en les faisant tourner. À ce stade, veillez à ne pas vous coincer les doigts.

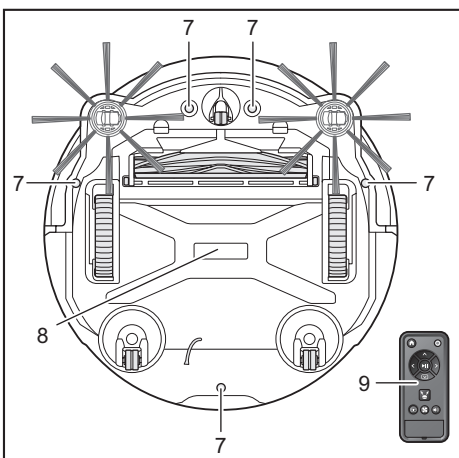
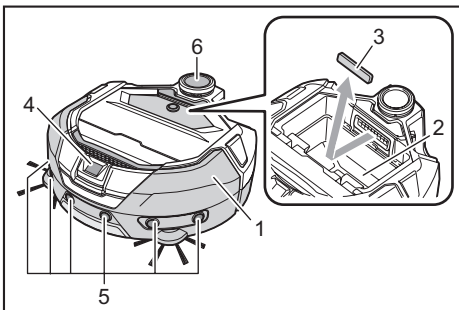


Entretien de l'aspirateur robot

AVIS

- N'utilisez pas de diluant, de benzène, d'alcool, etc., car cela pourrait provoquer une détérioration ou une décoloration.
- N'utilisez pas d'objet pointu (par exemple un cure-dent), car il pourrait provoquer des dommages.

Suivez le tableau ci-dessous pour l'entretien des pièces de l'aspirateur robot.



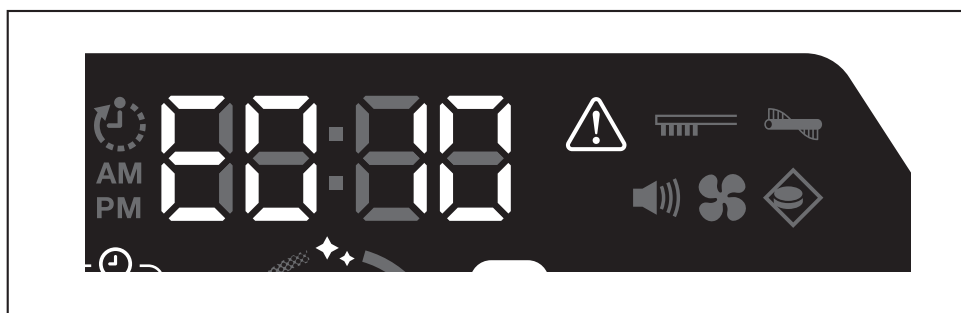
Numéro	Pièce	Procédure d'entretien
1.	Surface de l'aspirateur robot	Essuyez-le avec un tissu humidifié dans de l'eau ou du détergent neutre dilué.
2.	Intérieur de l'aspirateur robot (logement de la boîte à poussière)	Essuyez-le avec un tissu humidifié dans de l'eau ou du détergent neutre dilué.
3.	Éponge de l'ouverture d'aspiration dans l'aspirateur robot	Retirez l'éponge et lavez-la à l'eau pour en retirer la poussière.
4.	Capteur de caméra	Essuyez la saleté avec un chiffon doux ou un coton-tige tout en veillant à ne pas provoquer de dommages.
5.	Capteur à ultrasons	Essuyez-le avec un tissu humidifié dans de l'eau ou du détergent neutre dilué.
6.	Capteur LiDAR	Retirez la poussière et la saleté à l'intérieur du couvercle du capteur LiDAR.
7.	Capteur d'obstacles verticaux (5 emplacements)	Essuyez la saleté avec un chiffon doux ou un coton-tige tout en veillant à ne pas provoquer de dommages.
8.	Dessous de l'aspirateur robot	Essuyez-le avec un tissu humidifié dans de l'eau ou du détergent neutre dilué.
9.	Face avant de la télécommande et ses boutons	Essuyez la saleté à l'aide d'un chiffon sec.

À propos de la réparation

- Si vous ne parvenez pas à reprendre les opérations après avoir remédié à la cause d'une notification ou d'une indication d'erreur (consultez la page 29), mettez hors tension, puis à nouveau sous tension.
- Si la même notification ou erreur persiste, contactez le magasin où vous avez effectué l'achat ou notre bureau de vente pour organiser une réparation.
- Ne réparez pas vous-même. Veuillez à contacter le magasin où vous avez acheté le produit ou notre bureau de vente.
- Pour une réparation, apportez l'aspirateur robot avec les batteries et le chargeur.

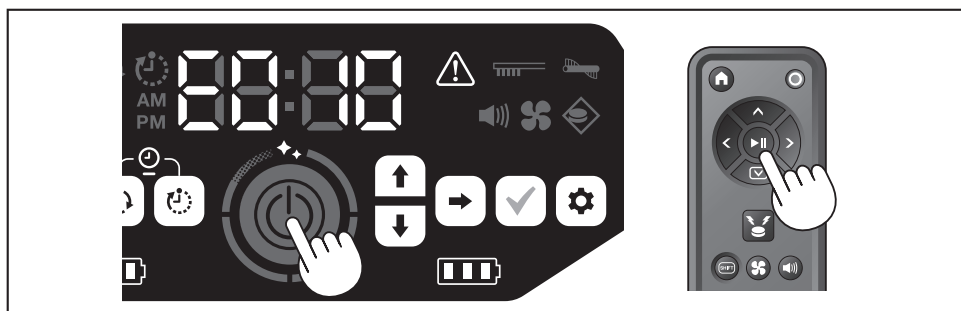
Notification et indication d'erreur

Lorsque vous devez effectuer l'entretien ou si une erreur survient, un voyant rouge s'allume sur le panneau d'utilisation de l'aspirateur robot et le numéro d'erreur s'affiche. En outre, une notification peut se déclencher avec un son.



Annulation d'une notification et d'une indication d'erreur

- Lorsqu'une notification relative à l'entretien du filtre s'affiche, vous pouvez utiliser l'aspirateur robot mais il risque de ne pas fonctionner correctement. Corrigez le problème avant d'utiliser l'aspirateur robot.
 - Lorsqu'une notification d'erreur apparaît, l'aspirateur robot cesse de fonctionner. Procédez comme suit.
1. Vérifiez le numéro de l'erreur et remédiez au problème. (Consultez « Notification d'entretien requis, etc. » sur cette page.)
 - Si vous coupez l'alimentation ou si l'appareil passe hors tension en raison d'une charge de la batterie insuffisante avant que vous ayez pu corriger l'erreur, l'aspirateur robot annule temporairement l'erreur.
 2. Si vous appuyez sur le bouton marche/arrêt de l'aspirateur robot ou de la télécommande, l'indication d'erreur est annulée et l'aspirateur robot passe en veille.




3. Vérifiez que l'erreur a disparu avant d'utiliser l'aspirateur robot.

AVIS

- Redémarrez l'aspirateur robot si vous ne parvenez pas à le faire fonctionner après avoir corrigé l'erreur.
- Si la même erreur persiste, contactez le magasin où vous avez effectué l'achat ou notre bureau de vente pour organiser une réparation.





Notification d'entretien requis, etc.













Si le voyant s'allume, coupez l'alimentation et retirez les batteries. Ensuite, procédez comme indiqué ci-après.

Problème signalé	Cause	Action
<ul style="list-style-type: none"> • Vous devez nettoyer le filtre. 	De la poussière s'est accumulée ou le filtre est encrassé.	Jetez la poussière et nettoyez le filtre. → Consultez les pages 22 et 25. Vérifiez si de la poussière s'est accumulée dans l'aspirateur robot et au niveau de l'ouverture d'évacuation.

Notification d'erreur

- Prenez les mesures adéquates en fonction du voyant d'erreur et du numéro affiché sur l'indicateur.
- Pour les codes d'erreur de la liste, un numéro spécifique s'affiche à la place du « X » selon le type d'erreur. Indiquez le code d'erreur lorsque vous contactez le distributeur ou notre bureau de vente.
- Lorsque vous vérifiez la cause ou corrigez le problème, coupez l'alimentation et retirez les batteries avant d'agir, si nécessaire.
- Si un numéro d'erreur autre que ceux ci-dessous s'affiche, contactez le magasin où vous avez acheté le produit ou notre bureau de ventes.

Numéro	Cause	Action
E01X Erreur des roues motrices 	Des corps étrangers, par exemple des peluches ou des cheveux, sont-ils coincés dans les roues motrices? Lorsque l'aspirateur robot franchit un faible creux, il risque de s'y coincer et d'afficher cette notification.	Retirez les corps étrangers. → Consultez la page 28. Ce n'est pas une défaillance.
E02X Erreur due à la perte d'une roue ou au soulèvement de l'aspirateur robot 	L'une des roues motrices a-t-elle déraillé ou une roue s'est-elle soulevée du sol?	Déplacez l'aspirateur robot à un autre endroit. → Consultez la page 11.
E030 Erreur de la brosse principale  	Des corps étrangers, par exemple des peluches ou des cheveux, sont-ils coincés dans la brosse principale?	Retirez les corps étrangers. → Consultez la page 26.

Numéro		Cause	Action
Problème signalé			
E04X Erreur des brosses latérales	 	Des corps étrangers, par exemple des peluches ou des cheveux, sont-ils coincés dans les brosses latérales?	Retirez les corps étrangers. → Consultez les pages 14 et 26.
E060 Non-détection de la boîte à poussière ou du filtre	 	La boîte à poussière ou le filtre ne sont pas fixés.	Vérifiez qu'ils sont correctement installés. → Consultez les pages 22 et 25.
E09X Erreur du capteur d'obstacles verticaux		L'aspirateur robot est-il exposé à la lumière directe du soleil?	Déplacez l'aspirateur robot à un autre endroit. → Consultez la page 11.
		L'aspirateur robot se trouve-t-il sur un sol noir?	
		Le capteur d'obstacles verticaux est-il sale?	<ul style="list-style-type: none"> • Essayez délicatement la saleté du capteur d'obstacles verticaux à l'aide d'un chiffon doux et sec, d'un coton-tige, etc. • Vérifiez si la ligne de mise à la terre est en contact avec le sol. → Consultez les pages 9, 11 et 28.
E10X Erreur du capteur du pare-chocs		C'est un dysfonctionnement du capteur du pare-chocs.	Appuyez environ 10 fois sur le pare-chocs avec la main. → Consultez la page 9.
E110 Erreur de mouvement		L'aspirateur robot a-t-il tenté de franchir une marche, etc. mais est resté coincé?	Déplacez l'aspirateur robot à un autre endroit. → Consultez la page 11.
E12X Diminution de la charge restante de la batterie Erreur de réglage de la minuterie		L'aspirateur robot est-il incapable de commencer à fonctionner conformément à la minuterie ON programmée parce que la charge restante de la batterie est insuffisante?	Lorsque vous lancez le fonctionnement via une minuterie ON programmée, assurez-vous que les batteries sont complètement chargées.
E140 Erreur du réglage de pièce Erreur d'informations de localisation		La pièce diffère-t-elle de celle cartographiée ou le point de départ du nettoyage est-il différent?	Vérifiez la pièce cartographiée et le point de départ du nettoyage. → Consultez la page 18.
		L'agencement de la pièce cartographiée a-t-il changé?	Effectuez une nouvelle cartographie. → Consultez la page 17.
		Le capteur LiDAR est-il obstrué par un tissu ou de la saleté?	Retirez le tissu, etc. et nettoyez le capteur LiDAR. → Consultez la page 28.
		Existe-t-il des obstacles d'une hauteur d'au moins 25 cm (9-7/8") que le capteur LiDAR peut détecter autour de l'aspirateur robot?	Le capteur LiDAR a besoin d'obstacles de plus de 25 cm (9-7/8") dans les plages suivantes : <ul style="list-style-type: none"> • un rayon de 11 m (36,09 pi) autour de l'aspirateur robot pour la cartographie et le mode de nettoyage cartographique. • un rayon de 18 m (59,06 pi) autour de l'aspirateur robot pour le mode de nettoyage libre. Veuillez positionner des obstacles de plus de 25 cm (9-7/8") dans la zone.
E170 Erreur du couvercle supérieur de l'aspirateur robot		Le couvercle supérieur de l'aspirateur robot est-il ouvert?	Fermez le couvercle supérieur de l'aspirateur robot.
E190 Erreur due à la perte d'une roue ou au soulèvement de l'aspirateur robot		L'une des roues motrices a-t-elle déraillé ou une roue s'est-elle soulevée du sol?	Déplacez l'aspirateur robot à un autre endroit. → Consultez la page 11.
E200 Erreur due à une incapacité à revenir au point de départ Erreur due à une incapacité à aller à la destination		L'aspirateur robot n'a pas réussi à revenir au point de départ du nettoyage.	<ul style="list-style-type: none"> • Si des objets gênent le fonctionnement de l'aspirateur robot, retirez-les ou maintenez l'aspirateur robot à l'écart de ces objets. → Consultez la page 21.
		L'aspirateur robot n'a pas réussi à se rendre à la destination suivante car elle a été saisie dans un passage étroit.	<ul style="list-style-type: none"> • En cas d'échec fréquent du retour au point de départ de l'aspirateur robot, activez [Prioriser le retour à la base] sur l'application. La durée de retour au point de départ peut augmenter. → Consultez la page 44. <ul style="list-style-type: none"> • Vérifiez s'il y a un passage d'au moins 80 cm (31-1/2") pour le nettoyage.

Dépannage

Vérifiez si les points suivants s'appliquent avant de faire une demande ou d'organiser une réparation.

Alimentation

Symptôme	Cause	Action
<ul style="list-style-type: none"> La mise sous tension ne se déclenche pas lorsque vous appuyez sur le bouton marche/arrêt. Le voyant ne s'allume pas. Rien ne se produit lorsque vous appuyez sur les boutons de l'aspirateur robot et de la télécommande. 	Les batteries sont-elles correctement installées?	Vérifiez que les batteries sont correctement installées. → Consultez la page 15.
	La charge de la batterie est-elle épuisée?	Vérifiez la charge restante.
	L'aspirateur robot est-il hors tension?	Appuyez sur le bouton marche/arrêt de l'aspirateur robot pour le mettre sous tension. → Consultez la page 16.

Fonctionnement

Symptôme	Cause	Action
L'aspirateur robot ne fonctionne pas.	Le voyant d'erreur clignote-t-il?	L'aspirateur robot ne fonctionne pas pendant une erreur. → Consultez la page 29.
	L'aspirateur robot est-il en mode d'attente de fonctionnement du fait d'une minuterie ON programmée?	Lorsque le mode d'attente d'un fonctionnement programmé est actif, toute opération autre que la mise hors tension et la notification de localisation est impossible. → Consultez la page 20.
L'aspirateur robot se met brusquement en mouvement, même si vous n'effectuez aucune opération.	Une minuterie ON programmée est-elle activée?	→ Consultez la page 20.
L'aspirateur robot s'arrête pendant le fonctionnement.	L'aspirateur robot est-il coincé dans un cordon ou un autre objet? Un tissu (serviette fine, etc.) ou une ficelle sont-ils emmêlés autour des roues?	Coupez l'alimentation de l'aspirateur robot et retirez les objets pris dedans et emmêlés autour des roues. → Consultez la page 28.
	L'aspirateur robot s'est-il arrêté sans avoir tenté de franchir une marche?	Coupez l'alimentation de l'aspirateur robot et déplacez-le. → Consultez la page 11.
	La minuterie OFF est-elle configurée?	→ Consultez la page 20.
	Existe-t-il des obstacles d'une hauteur d'au moins 25 cm (9-7/8") que le capteur LiDAR peut détecter autour de l'aspirateur robot?	Le capteur LiDAR a besoin d'obstacles de plus de 25 cm (9-7/8") dans les plages suivantes : <ul style="list-style-type: none"> un rayon de 11 m (36,09 pi) autour de l'aspirateur robot pour la cartographie et le mode de nettoyage cartographique. un rayon de 18 m (59,06 pi) autour de l'aspirateur robot pour le mode de nettoyage libre. Veuillez positionner des obstacles de plus de 25 cm (9-7/8") dans la zone.
La vitesse change.	L'aspirateur robot peut ralentir quand un capteur détecte un obstacle ou détermine la direction à suivre.	Ce n'est pas une anomalie.
L'aspirateur robot ne se déplace pas en ligne droite.	Des corps étrangers sont-ils pris dans les roues?	Coupez l'alimentation de l'aspirateur robot et retirez les corps étrangers des roues. → Consultez la page 28.
	Des roues sont-elles endommagées?	Contactez le magasin où vous avez acheté le produit ou notre bureau de vente pour organiser un entretien.
	Le capteur à ultrasons et le capteur LiDAR sont-ils sales?	Nettoyez-les. → Consultez la page 28.
L'aspirateur robot heurte plus souvent des obstacles qu'avant.	Le capteur à ultrasons et le capteur LiDAR sont-ils sales?	Nettoyez-les. → Consultez la page 28.
L'aspirateur robot ne parvient pas à éviter une marche et chute.	Le capteur d'obstacles verticaux est-il sale?	Nettoyez-les. → Consultez la page 28.
	Parfois, l'aspirateur robot franchit une marche d'une hauteur de 3,0 cm (1-3/16") ou moins.	Ce n'est pas une défaillance. → Consultez la page 11.
L'aspirateur robot se déplace comme s'il évitait des obstacles ou des marches, bien qu'il n'y en ait pas.	Les capteurs d'obstacles verticaux ou le capteur LiDAR sont-ils sales?	Nettoyez-les. → Consultez la page 28.
Le capteur d'obstacles verticaux se salit rapidement.	La ligne de mise à la terre est-elle coupée et a-t-elle perdu le contact avec le sol?	Contactez le magasin où vous avez acheté le produit ou notre bureau de vente pour organiser un entretien.
Le son émis pendant le fonctionnement est plus fort que d'habitude.	La boîte à poussière est-elle pleine? Le filtre est-il encrassé?	Jetez la poussière et nettoyez le filtre. → Consultez les pages 22 et 25.
	De la poussière est-elle prise dans la brosse principale et les brosses latérales?	Nettoyez-les. De plus, vérifiez que les brosses sont correctement installées. → Consultez la page 26.
Le ventilateur d'aspiration est plus bruyant pendant le fonctionnement.	Il fait plus de bruit lorsque l'aspirateur robot change de batterie lors de l'utilisation.	C'est une situation normale.
<ul style="list-style-type: none"> La puissance d'aspiration est faible. La poussière n'est pas aspirée. 	La boîte à poussière est-elle pleine? Le filtre est-il encrassé?	Jetez la poussière et nettoyez le filtre. → Consultez les pages 22 et 25.
	Le ventilateur d'aspiration est-il désactivé?	Vérifiez le réglage. → Consultez la page 19.
Une brosse latérale se détache.	La brosse latérale est-elle installée correctement?	Vérifiez que l'installation est correcte. → Consultez la page 14.



Symptôme	Cause	Action
Une brosse latérale ou la brosse principale ne tourne pas, est difficile à tourner ou est emmêlée.	Des corps étrangers (par exemple des peluches ou des cheveux) sont-ils coincés dans les brosses latérales ou la brosse principale?	Nettoyez-les. De plus, vérifiez que la brosse principale et le couvercle de brosse principale sont bien installés. → Consultez la page 26.
	Vous ne pouvez pas utiliser l'aspirateur robot sur un tapis dont les poils mesurent plus de 7 mm (9/32"). Même si les poils mesurent 7 mm (9/32") ou moins, il se peut que l'aspirateur robot cesse de fonctionner ou que les poils se coincent dans les brosses latérales selon leurs matériaux ou autres propriétés.	→ Consultez la page 11.
L'air évacué dégage une odeur.	Des déchets humides ou malodorants ont-ils été aspirés?	Jetez les déchets. → Consultez la page 22.
	Le filtre est-il encrassé?	Nettoyez le filtre. Lorsque vous avez lavé le filtre à l'eau, séchez-le bien avant de l'utiliser. → Consultez la page 25.

Fonctionnement de la télécommande

Symptôme	Cause	Action
La télécommande ne fonctionne pas.	Les piles sont-elles correctement insérées dans la télécommande?	Vérifiez le sens des piles. → Consultez la page 14.
	Si parfois l'aspirateur robot ne réagit pas lorsque vous l'utilisez via la télécommande, il se peut que les piles soient vides. (L'intervalle de remplacement est d'environ un an. Une pile peut se décharger en moins d'un an selon son type et les conditions d'utilisation.)	Remplacez les piles par des neuves. → Consultez la page 14.
	L'aspirateur robot est-il hors tension?	Appuyez sur le bouton marche/arrêt de l'aspirateur robot pour le mettre sous tension. → Consultez la page 16.
	Il est possible que la télécommande et l'aspirateur robot soient trop éloignés l'un de l'autre pour que les ondes radio atteignent ce dernier.	Assurez-vous que rien ne gêne le fonctionnement en réduisant la distance entre la télécommande et l'aspirateur robot, ainsi qu'en déplaçant les obstacles. → Consultez la page 12.
L'utilisation via la télécommande n'est pas possible.	Les dispositifs suivants, utilisant des ondes radio de bande 2,4 GHz, fonctionnent peut-être à proximité. <ul style="list-style-type: none"> • Four à micro-ondes • Appareils compatibles Bluetooth® • Appareils LAN sans fil • Autre dispositif utilisant des ondes radio de bande 2,4 GHz (par exemple, les téléphones numériques sans fil et les consoles de jeu) 	Éloignez ces dispositifs de l'aspirateur robot et de la télécommande ou cessez temporairement d'utiliser ces appareils.
	Lorsque vous remplacez la télécommande par une neuve, couplez-la avec l'aspirateur robot.	→ Consultez la page 24.
	Si vous ne parvenez pas à utiliser l'aspirateur robot via la télécommande après avoir examiné les causes éventuelles ci-dessus, mettez l'aspirateur robot hors tension, puis à nouveau sous tension.	→ Consultez la page 16.

Panneau d'utilisation

Symptôme	Cause	Action
L'heure réglée se réinitialise fréquemment.	La batterie intégrée est quasiment vide parce que l'aspirateur robot n'a pas été utilisé pendant une longue période.	Faites fonctionner l'aspirateur robot plus de 1 heure ou mettez-le en veille. (La batterie intégrée se rechargera.)

Fonction de minuterie

Symptôme	Cause	Action
Le fonctionnement via la minuterie ON programmée ne commence pas à l'heure prévue.	L'aspirateur robot ne commence pas à fonctionner conformément à la minuterie ON programmée si l'une des conditions suivantes s'applique au début du fonctionnement de ce type. <ul style="list-style-type: none"> • L'alimentation est coupée. • Quand la charge de la batterie est insuffisante 	→ Consultez la page 20.
	Le voyant de la minuterie s'allume-t-il?	Si l'alimentation est coupée ou si la charge de la batterie est épuisée après la programmation de la minuterie, le voyant de cette dernière s'éteint. → Consultez la page 10.

Cartographie

Symptôme	Cause	Action
<ul style="list-style-type: none"> • L'aspirateur robot s'arrête pendant la cartographie. • La cartographie échoue. 	La pièce est-elle sombre lors de la cartographie?	Illuminez la pièce jusqu'à la fin de la cartographie.
	Il n'y a pas d'obstacles d'une hauteur d'au moins 25 cm (9-7/8") dans un rayon d'environ 11 m (36,09 pi) autour de l'aspirateur robot.	L'environnement ne convient peut-être pas à la cartographie. Il est conseillé de nettoyer en mode de nettoyage libre. → Consultez la page 17.
L'aspirateur robot commence à nettoyer au lieu de cartographier.	Avez-vous sélectionné le numéro d'une pièce déjà enregistrée?	Sélectionnez le numéro d'une pièce non enregistrée ou supprimez la carte déjà enregistrée. → Consultez les pages 17 et 18.





Symptôme	Cause	Action
<ul style="list-style-type: none"> Aucune carte n'est enregistrée. La carte est incomplète. (Une zone n'est pas enregistrée.) 	Il se peut que la forme de la pièce, l'agencement des obstacles ou d'autres caractéristiques soient trop complexes.	Vérifiez s'il y a un passage d'au moins 80 cm (31-1/2") pour le nettoyage. Rangez la pièce. → Consultez la page 12.
		Il se peut que la charge de la batterie soit insuffisante. Chargez complètement les batteries avant d'effectuer la cartographie.
	Vous pouvez ajouter les informations cartographiques manuellement. → Consultez la page 41.	
	L'aspirateur robot a été soulevé pendant la cartographie.	Ne soulevez pas l'aspirateur robot pendant la cartographie. Les informations de la pièce risquent de ne pas s'enregistrer correctement.

Application

Symptôme	Cause	Action
Impossible de se connecter à l'application.	Avez-vous appuyé sur le bouton de raccordement de smartphone de l'aspirateur robot?	Appuyez sur le bouton de raccordement de smartphone pour connecter à l'application. → Consultez la page 35.
	Le réglage Wi-Fi® du smartphone est-il activé?	Activez le réglage Wi-Fi® du smartphone.
	Il est possible que le smartphone et l'aspirateur robot soient trop éloignés l'un de l'autre pour que les ondes radio atteignent ce dernier.	Assurez-vous que rien ne gêne le fonctionnement en réduisant la distance entre le smartphone et l'aspirateur robot, ainsi qu'en déplaçant les obstacles. → Consultez la page 12.
	La connexion à l'aspirateur robot a échoué.	Pour iPhone : Allez dans le menu des réglages iOS et activez le paramètre du réseau local pour Makita Robotic Cleaner DRC300. Pour Android : Si une fenêtre contextuelle s'affiche pour demander s'il faut maintenir la connexion après avoir établi la connexion Wi-Fi, autorisez-la.
	L'aspirateur robot n'a peut-être pas réussi à obtenir les informations de localisation. (Le nom de l'aspirateur robot s'affiche comme « null » dans l'écran de saisie du code PIN.)	Activez le paramètre des informations de localisation du smartphone.

Fonction de protection

Si l'une des conditions suivantes survient lorsque l'aspirateur robot fonctionne, le moteur s'arrête automatiquement. Ceci est dû à la fonction de protection et ne constitue pas une défaillance.

Fonction de protection
Le moteur s'arrête automatiquement si la batterie atteint une température élevée. <ul style="list-style-type: none"> Arrêtez le nettoyage et retirez les batteries de l'aspirateur robot. Ensuite, chargez et refroidissez les batteries à l'aide d'un chargeur équipé d'un système de refroidissement ou attendez que les batteries aient refroidi. Si l'aspirateur robot ne fonctionne pas même lorsque les batteries ont refroidi, refroidissez l'aspirateur robot. Si un numéro d'erreur s'affiche sur l'aspirateur robot, corrigez la cause de l'erreur. (Consultez la page 29.)
L'aspirateur robot s'arrête automatiquement si la batterie est faible et passe en veille. L'alimentation se coupe ensuite complètement si la charge restante est épuisée. <ul style="list-style-type: none"> Retirez les batteries de l'aspirateur robot et chargez-les.
L'aspirateur robot s'arrête automatiquement en cas de détection d'une erreur. <ul style="list-style-type: none"> Vérifiez le numéro de l'erreur et remédiez au problème. Après avoir éliminé la cause, vous pouvez à nouveau utiliser l'aspirateur robot. (Consultez la page 29.)

Stockage

Coupez l'alimentation et retirez les batteries avant de ranger l'aspirateur robot.

Ne rangez pas l'aspirateur robot dans les endroits suivants, car c'est une machine de précision. Cela pourrait provoquer un dégagement de chaleur, un embrasement, une défaillance, une détérioration des pièces en caoutchouc, etc.

- Endroits où la température augmente brusquement
- Endroits où la température chute brusquement
- Endroits où la température change brusquement
- Près d'une flamme, d'un radiateur, d'un équipement de refroidissement et de chauffage, etc.
- En extérieur
- Endroits exposés à la lumière directe du soleil
- Endroits exposés à l'humidité ou à de la vapeur
- Endroits exposés à de grandes quantités de poussière et de sable
- Endroits exposés à de la fumée
- Endroits mal aérés

Si vous stockez l'aspirateur robot pendant une longue période sans l'utiliser, ses performances risquent d'en souffrir. Pour que l'aspirateur robot reste fonctionnel de nombreuses années, démarrez-le et utilisez-le occasionnellement.



Accessoires en option

ATTENTION

Ces accessoires ou équipements sont recommandés pour une utilisation avec le produit Makita indiqué dans ce manuel. L'utilisation d'autres accessoires ou équipements risque de provoquer des blessures. Utilisez uniquement les accessoires ou les équipements dans le but énoncé.

Si vous avez besoin de plus d'informations sur ces accessoires, contactez votre centre de réparation Makita local.

- Ligne de limite magnétique
- Brosse principale
- Brosse principale souple
- Brosse latérale
- Brosse latérale souple
- Filtre HEPA
- Couvercle de brosse principale
- Coussin de pare-chocs
- Batterie et chargeur d'origine Makita

AVIS

- Certains articles de la liste peuvent être inclus dans l'emballage du produit en tant qu'accessoires standards. Ils peuvent varier selon le pays.
- Pour éviter une reconnaissance erronée lors de l'utilisation du coussin de pare-chocs, ne fixez pas le coussin de pare-chocs sur les zones suivantes : La zone dans l'extension latérale des capteurs à ultrasons, ainsi que les zones supérieure et inférieure comprises à une distance maximale de 28 mm (1.1") des capteurs à ultrasons.

Application smartphone (pour le DRC300)

Table des matières

• Ce que vous pouvez faire avec l'application	35
• Installation de l'application	35
• Préparations préalables	35
• Installation de l'application sur un téléphone intelligent	35
• Configuration initiale	35
• Écran d'accueil	36
• Nettoyage via l'application	36
• Nettoyage d'une pièce sans cartographie (mode de nettoyage libre)	36
• Nettoyage des pièces cartographiées	37
• Utilisation de l'aspirateur robot depuis l'application	38
• Vérification de l'historique de nettoyage	38
• Vérification du dernier historique	38
• Vérification des historiques précédents	39
• Vérification des historiques d'erreurs	39
• Ajout, modification ou suppression des informations cartographiques	40
• Ajout d'informations cartographiques	40
• Ajout manuel d'informations cartographiques (cartographie manuelle)	41
• Modification du nom des informations cartographiques	42
• Restriction de la plage de nettoyage	42
• Suppression des informations cartographiques	43
• Modification et vérification des paramètres	44
• Modification du nom d'un aspirateur robot enregistré	44
• Réglage des options de nettoyage	44
• Modification du code PIN	45
• Suppression d'informations enregistrées pour un aspirateur robot	45
• Vérification des informations sur l'application	45
• Message/boîte de dialogue d'erreur	46

Ce que vous pouvez faire avec l'application

Lorsque vous installez l'application spécifique à l'aspirateur robot sur un smartphone, vous pouvez effectuer les actions suivantes :

- Nettoyage
- Fonctionnement de la télécommande
- Ajout, modification ou suppression des informations cartographiques
- Vérification de l'historique de nettoyage
- Modification des réglages de l'aspirateur robot

AVIS

- Cette application est destinée à une utilisation sur un smartphone et ne fonctionne pas sur les PC et les appareils de type tablette.
- Le smartphone et l'aspirateur robot se connectent directement à l'aide de la fonction Wi-Fi®. Veuillez noter qu'Internet n'est pas disponible pendant la connexion à l'aspirateur robot. Après avoir utilisé l'application, pensez à vous déconnecter de l'aspirateur robot en appuyant sur le bouton de raccordement de smartphone.
- Pour utiliser cette application, vous devez autoriser l'obtention d'informations de localisation et accepter les conditions d'utilisation. L'utilisateur décide s'il autorise l'obtention d'informations de localisation et accepte les conditions d'utilisation.
- Les images des écrans de l'application peuvent être modifiées sans préavis.

Installation de l'application

Préparations préalables

Vous avez besoin d'un téléphone intelligent (Android ou iOS) pour utiliser l'application.

- Android : une version Android 6.0 ou ultérieure est requise.
- iOS (iPhone) : une version iOS 12 ou ultérieure est requise.

Installation de l'application sur un téléphone intelligent

1. À l'aide de votre téléphone intelligent, recherchez « Makita Robotic Cleaner DRC300 » dans Google Play™ ou dans l'App Store. Vous pouvez aussi y accéder depuis le code QR.

Google Play™



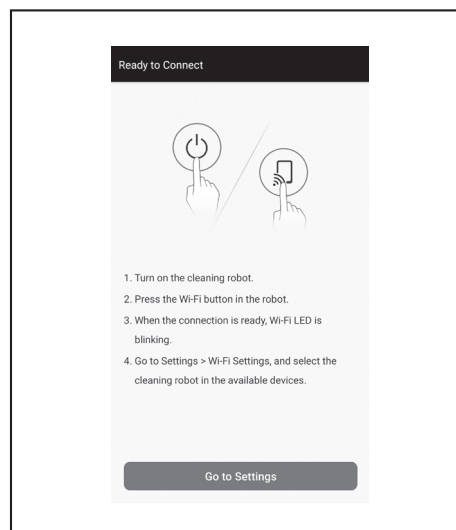
App Store



2. Installez « Makita Robotic Cleaner DRC300 »
3. Après l'installation, démarrez « Makita Robotic Cleaner DRC300 »

Configuration initiale

1. Lorsqu'un écran s'affiche pour vous demander l'autorisation de collecter des informations de localisation, appuyez sur [OK].
2. Dans l'écran des conditions d'utilisation, appuyez sur [Accepter].
3. Suivez les instructions à l'écran :
 - Démarrez l'aspirateur robot et appuyez sur son bouton de raccordement de smartphone. Après avoir appuyé sur le bouton de raccordement de smartphone, il faut environ 8 secondes à l'aspirateur robot pour être prêt à se connecter. Lorsque la connexion est prête, la DEL du Wi-Fi clignote.
 - À ce stade, appuyez sur [Aller dans Paramètres] pour afficher l'écran de réglage du Wi-Fi® du téléphone intelligent.



Selon l'appareil, les procédures suivantes peuvent être nécessaires.

Pour iPhone :

Allez dans le menu des réglages iOS et activez le paramètre du réseau local pour Makita Robotic Cleaner DRC300.

Pour Android :

Si une fenêtre contextuelle s'affiche pour demander s'il faut maintenir la connexion après avoir établi la connexion Wi-Fi, autorisez-la.

- Connectez le téléphone intelligent à l'aspirateur robot via Wi-Fi®. (Cette connexion n'utilise PAS le Bluetooth.)
 - Vous devez uniquement régler la connexion Wi-Fi® (saisie du mot de passe) lorsque vous connectez l'aspirateur robot pour la première fois.
 - Le mot de passe initial de la connexion Wi-Fi® est configuré sur des caractères alphanumériques répétant deux fois les quatre derniers caractères du SSID de l'aspirateur robot. Par exemple, si le SSID « Robotic_Cleaner_012A » s'affiche, le mot de passe est « 012A012A ».
 - Vérifiez que le téléphone intelligent n'accède pas à d'autres réseaux Wi-Fi® pendant la connexion avec l'aspirateur robot.
- Quittez l'écran de réglage du Wi-Fi® et affichez l'écran de l'application. Ensuite, saisissez le code PIN pour authentifier la connexion.
 - Le code PIN par défaut est configuré sur des caractères alphanumériques répétant deux fois les quatre derniers caractères du SSID.
 - Si le SSID est « Robotic_Cleaner_012A », le code PIN par défaut est « 012A012A ».
 - L'écran d'accueil de l'application s'affiche lorsque le code PIN est authentifié.



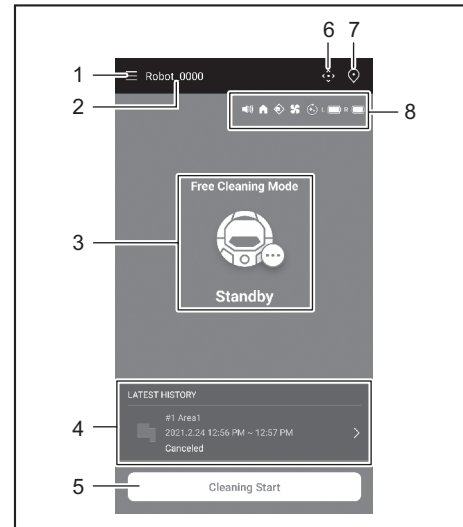
- Modifiez le code PIN.
 - Veillez à modifier le code PIN. N'utilisez pas le code PIN par défaut. Consultez la page 45 pour savoir comment modifier le code PIN.
 - N'oubliez pas le nouveau code PIN que vous avez créé.
- La configuration initiale est terminée lorsque « Code PIN modifié » s'affiche. Revenez à l'écran d'accueil pour utiliser l'application.

Pour annuler la connexion Wi-Fi, appuyez sur le bouton de raccordement de smartphone de l'aspirateur robot afin d'éteindre le voyant de raccordement de smartphone.

AVIS

Si la connexion se coupe brusquement, fermez l'application et essayez de rétablir la connexion.

Écran d'accueil



- Bouton de menu (divers réglages, vérification de l'historique)
- Nom de l'aspirateur robot
- Statut de fonctionnement de l'aspirateur robot
- Dernier enregistrement de nettoyage (uniquement affiché s'il existe un enregistrement)
- Bouton de démarrage du nettoyage (ou de la cartographie)
- Bouton de la télécommande
- Bouton de commutation de mode
- Réglages de l'aspirateur robot et charge restante de la batterie
 - : Le réglage du son est actif.
 - : Le réglage de la fonction Prioriser le retour à la base est actif.
 - : La fonction de détection des limites est active.
 - : Le réglage du ventilateur d'aspiration est actif.
 - : Le réglage du nettoyage continu est actif.
 - : Charge restante de la batterie gauche.
 - : Charge restante de la batterie droite.

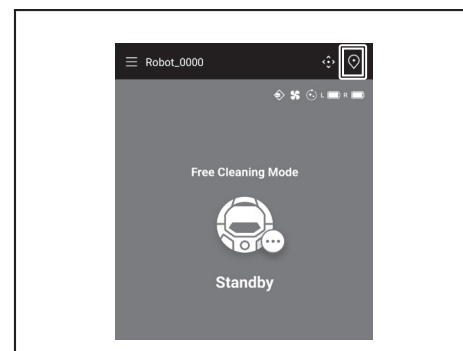
Nettoyage via l'application

L'aspirateur robot dispose de deux modes de fonctionnement : le mode de nettoyage libre, ne requérant aucun enregistrement de carte et le mode de nettoyage cartographique (consultez « Nettoyage des pièces cartographiées » à la page 37), pour lequel vous devez enregistrer des informations sur la pièce nécessaires au nettoyage.

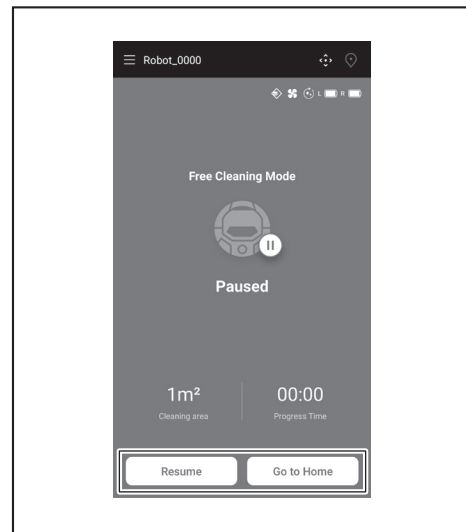
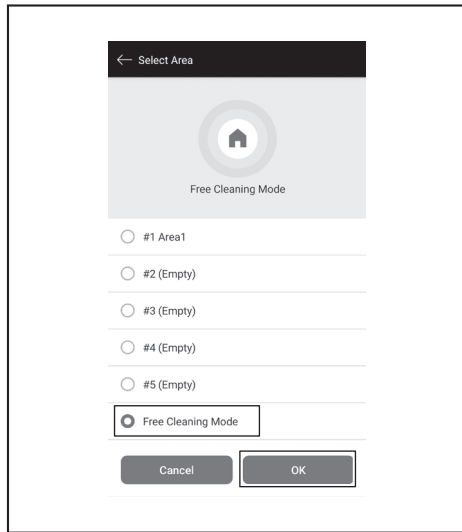
Nettoyage d'une pièce sans cartographie (mode de nettoyage libre)

- Le mode de nettoyage libre est recommandé pour nettoyer diverses pièces ou un environnement dont l'agencement change souvent et considérablement.
- Le mode de nettoyage libre est également conseillé pour une pièce sans éclairage adéquat.
- Pour le nettoyage, la cartographie et l'emplacement de départ de l'aspirateur robot, consultez la page 17.

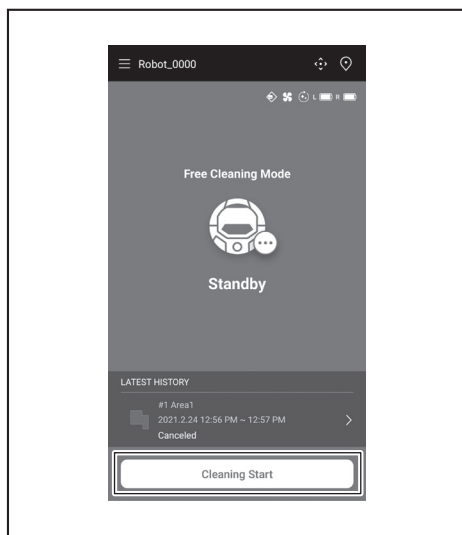
- Sur l'écran d'accueil, appuyez sur



- Appuyez sur [Mode nettoyage libre], puis sur [OK].




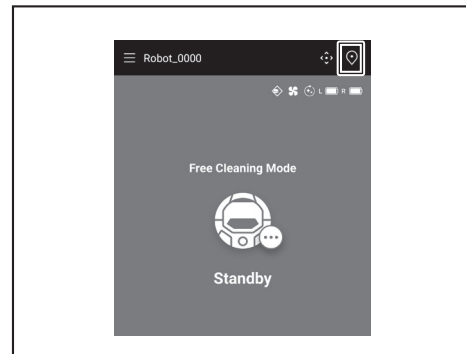
- Sur l'écran d'accueil, appuyez sur [Démarrage du nettoyage] pour que l'aspirateur robot commence à nettoyer.



Nettoyage des pièces cartographiées

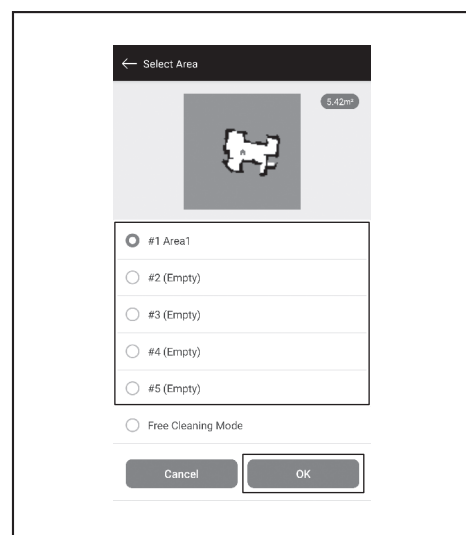
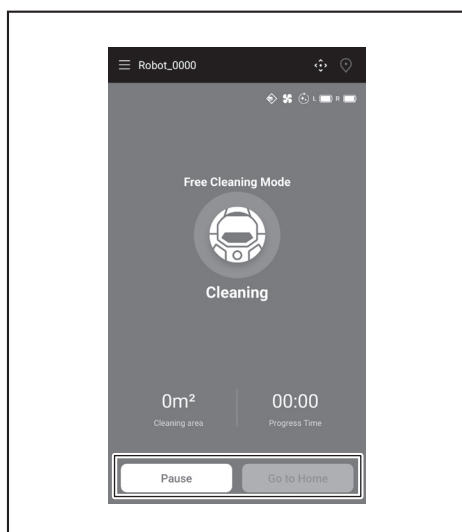
- En mode de nettoyage cartographique, l'aspirateur robot nettoie plus efficacement les pièces cartographiées.
- Vous devez enregistrer des informations cartographiques pour utiliser le mode de nettoyage cartographique. (Consultez la page 40.)

- Sur l'écran d'accueil, appuyez sur .



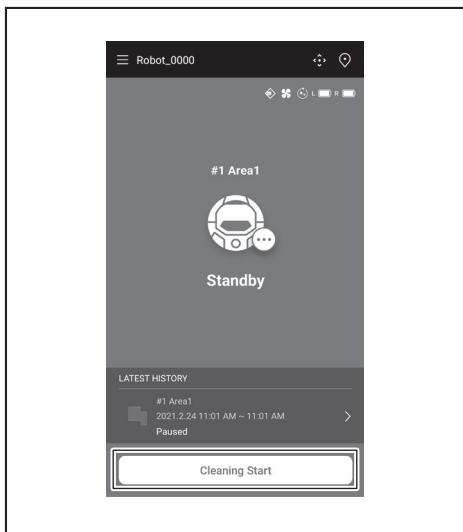
- Les opérations suivantes vous permettent de contrôler l'aspirateur robot.
 - Appuyez sur [Pause] pour que l'aspirateur robot cesse temporairement de nettoyer.
 - Appuyez sur [Reprendre] pendant la pause pour redémarrer l'aspirateur robot.
 - Appuyez sur [Retourner à la base] pendant la pause pour que l'aspirateur robot retourne au point de départ du nettoyage. Lorsque l'aspirateur robot retourne au point de départ, l'application revient à l'écran d'accueil. Vous pouvez effectuer cette opération lorsque le nettoyage est en pause.

- Appuyez sur la pièce à nettoyer, puis sur [OK].
 - Vous pouvez ajouter, modifier et supprimer une carte. (Consultez la page 40)

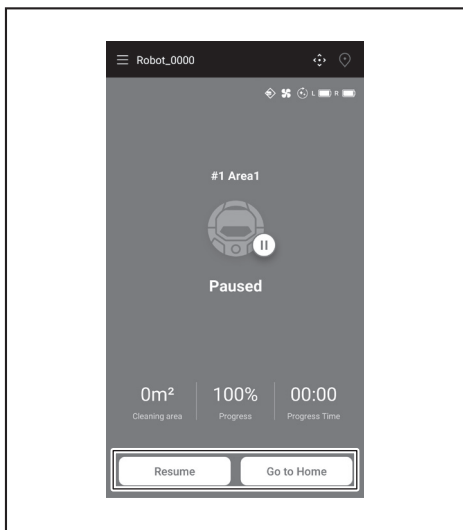
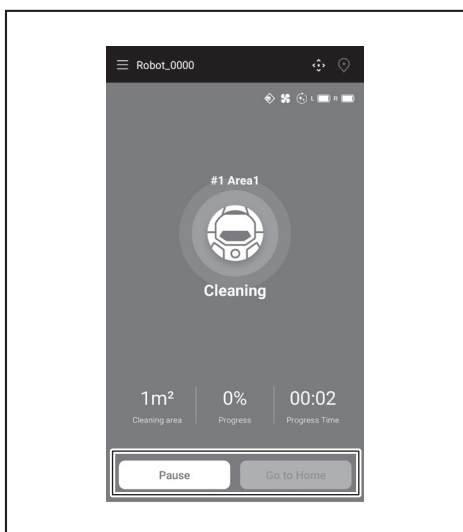


- Placez autant que possible l'aspirateur robot dans le même sens qu'au début de la cartographie. Ainsi, l'aspirateur robot peut commencer à nettoyer facilement.

- Appuyez sur [Démarrage du nettoyage] pour que l'aspirateur robot commence à nettoyer.



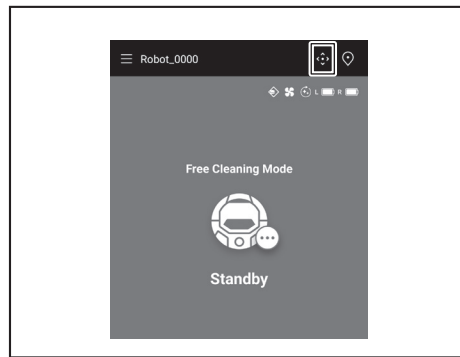
- Les opérations suivantes vous permettent de contrôler l'aspirateur robot.
 - Appuyez sur [Pause] pour que l'aspirateur robot cesse temporairement de nettoyer.
 - Appuyez sur [Reprendre] pendant la pause pour redémarrer l'aspirateur robot.
 - Appuyez sur [Retourner à la base] pendant la pause pour que l'aspirateur robot retourne au point de départ du nettoyage. Lorsque l'aspirateur robot retourne au point de départ, l'application revient à l'écran d'accueil. Vous pouvez effectuer cette opération lorsque le nettoyage est en pause.
 - Si la forme de la pièce ne correspond pas aux informations de la carte, l'écran d'erreur s'affiche et l'aspirateur robot cesse de nettoyer. Vérifiez que vous avez sélectionné la bonne pièce et placez l'aspirateur robot au point de départ.
 - Si vous ne placez pas l'aspirateur robot au point de départ indiqué dans les informations cartographiques, l'écran d'erreur s'affiche.



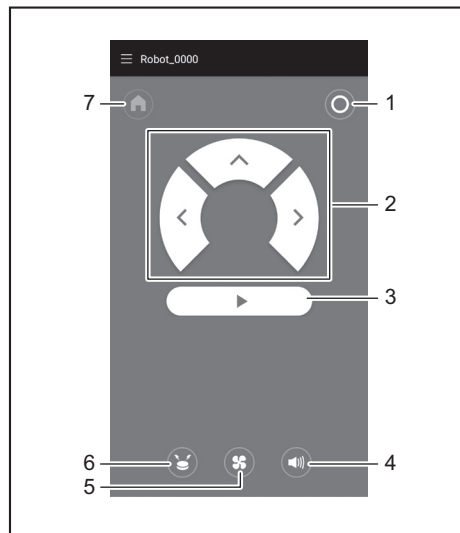
Utilisation de l'aspirateur robot depuis l'application

Vous pouvez utiliser l'aspirateur robot via l'application, comme pour la télécommande incluse avec l'aspirateur robot.

- Sur l'écran d'accueil, appuyez sur .



- Appuyez sur les boutons pour actionner l'aspirateur robot.
 - Vous ne pouvez pas faire reculer l'aspirateur robot avec l'application.



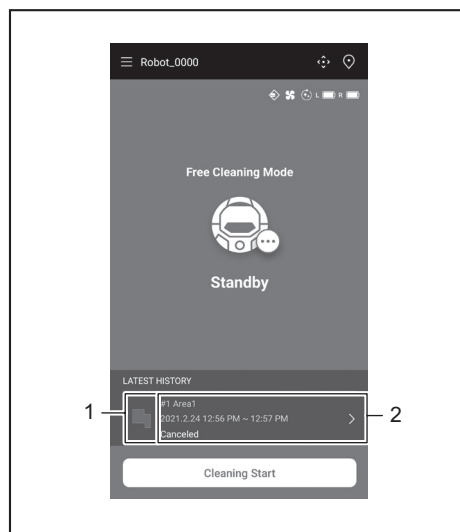
- 1. Bouton de coupure d'alimentation (OFF) 2. Boutons d'action 3. Bouton marche/arrêt 4. Bouton d'activation/désactivation de son (ON/OFF) 5. Bouton d'activation/désactivation du ventilateur d'aspiration (ON/OFF) 6. Bouton de localisation par signal lumineux/bruiteur 7. Bouton de point de départ

Vérification de l'historique de nettoyage

L'application vous permet de vérifier en détail l'historique de nettoyage.

Vérification du dernier historique



Sur l'écran d'accueil, appuyez sur l'icône de [DERNIER HISTORIQUE].

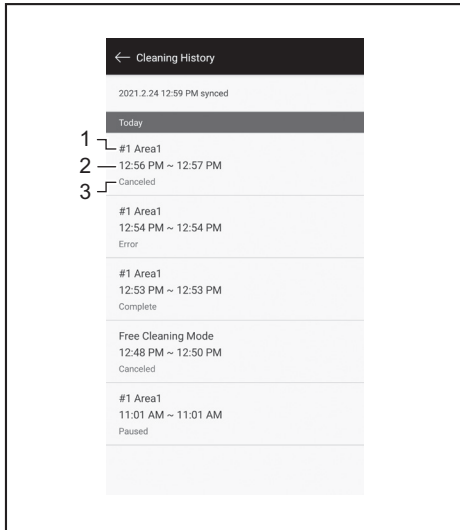


- 1. Icône d'affichage du dernier historique 2. Élément d'affichage de la liste des historiques

Vérification des historiques précédents

Il est possible d'enregistrer jusqu'à 15 historiques. Si vous avez déjà enregistré 15 historiques, le plus ancien est effacé lorsque vous enregistrez un nouveau.

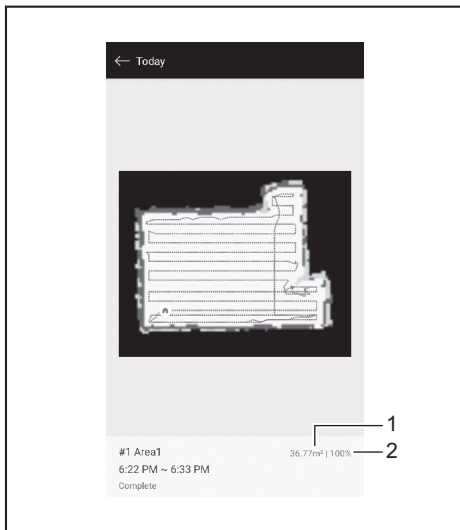
1. Sur l'écran d'accueil, appuyez sur  dans [DERNIER HISTORIQUE]. Vous pouvez appuyer sur  sur l'écran d'accueil, puis sur [Historique de nettoyage] pour voir les enregistrements précédents.
2. Appuyez sur l'enregistrement à vérifier.



- 1. Pièce nettoyée ou mode de nettoyage 2. Durée de nettoyage de la pièce 3. Statut de nettoyage (terminé, arrêté, erreur, etc.)

Appuyez sur un élément pour afficher les informations détaillées de chaque historique.

- Ligne pointillée bleu-vert : la trajectoire de l'aspirateur robot
- Jaune : la zone nettoyée par l'aspirateur robot
- Bleu : obstacles détectés par le capteur du pare-chocs
- Vert : obstacles détectés par le capteur à ultrasons
- Rose : marches détectées par le capteur d'obstacles verticaux
- Violet : la zone où l'aspirateur robot a détecté la ligne de limite magnétique
- Blanc : la zone que l'aspirateur robot n'a pas nettoyée
- Gris : les murs ou les obstacles détectés par le capteur LiDAR

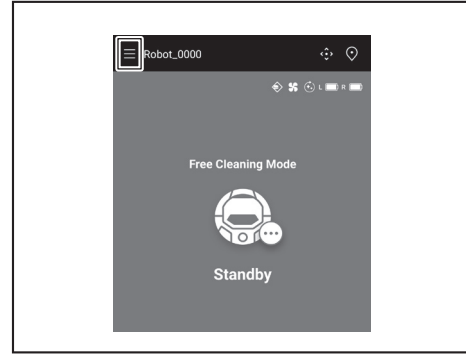


- 1. Taille de la zone nettoyée 2. Couverture du nettoyage (nettoyage cartographique uniquement)

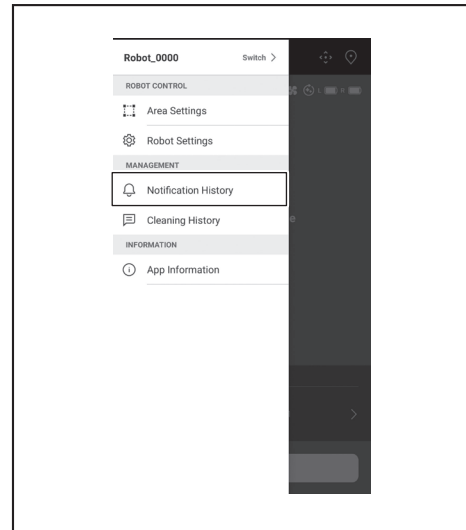
- La taille et la couverture de la zone nettoyée ne sont pas des valeurs précises. Utilisez ces informations comme des indications approximatives.

Vérification des historiques d'erreurs

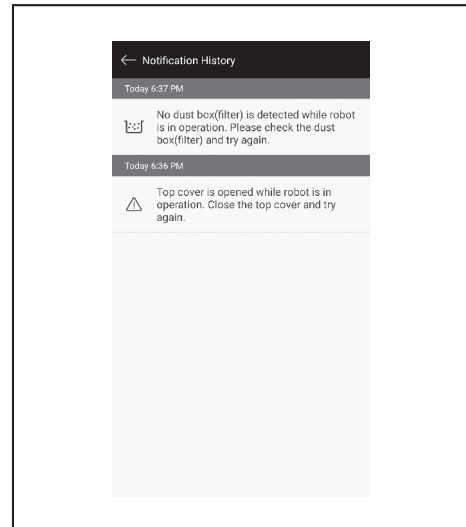
1. Sur l'écran d'accueil, appuyez sur .



2. Appuyez sur [Historique des notifications].




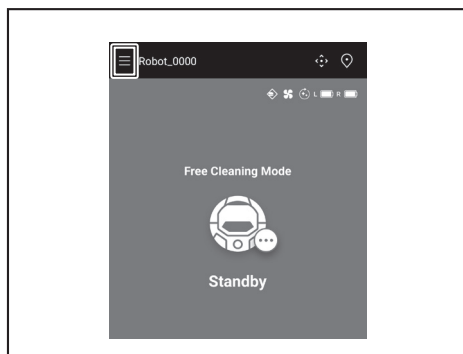
La date, l'heure et le contenu de l'erreur s'affichent. Il est possible d'enregistrer jusqu'à 10 historiques. Si vous avez déjà enregistré 10 historiques, le plus ancien est effacé lorsque vous enregistrez un nouveau.



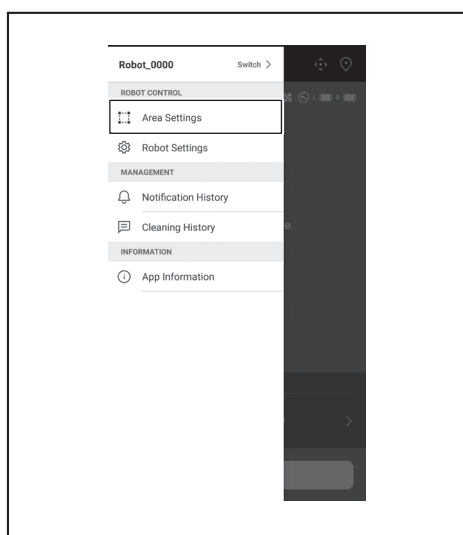
Ajout, modification ou suppression des informations cartographiques

Vous pouvez ajouter, modifier ou supprimer des informations cartographiques depuis [Paramètres de la zone] dans la fenêtre du menu.

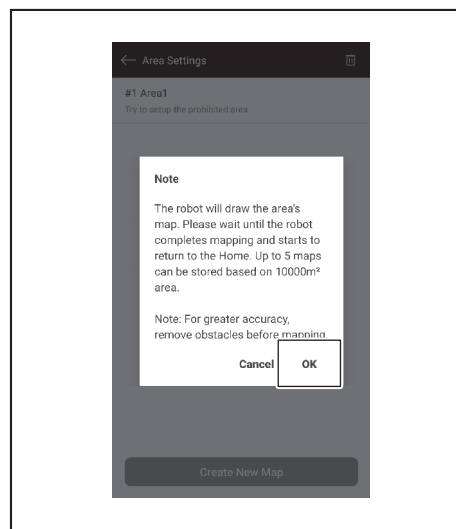
1. Sur l'écran d'accueil, appuyez sur .



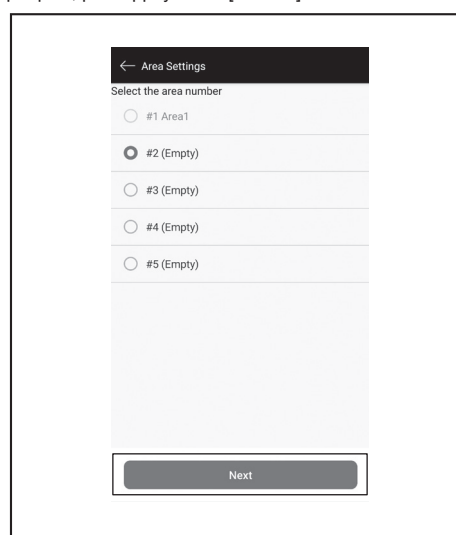
2. Appuyez sur [Paramètres de la zone].



2. Un avis s'affiche. Appuyez sur [OK].



3. Sélectionnez un emplacement vide où enregistrer les informations cartographiques, puis appuyez sur [Suivant].

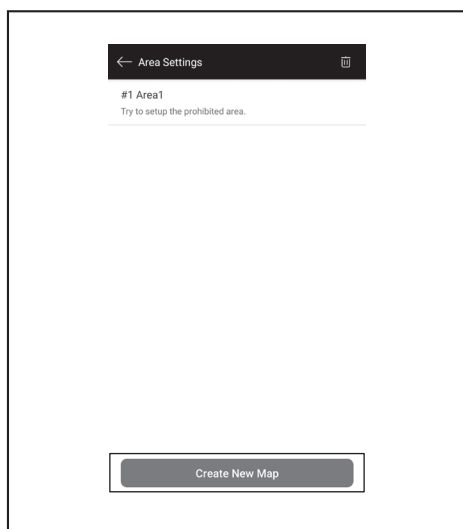


Ajout d'informations cartographiques

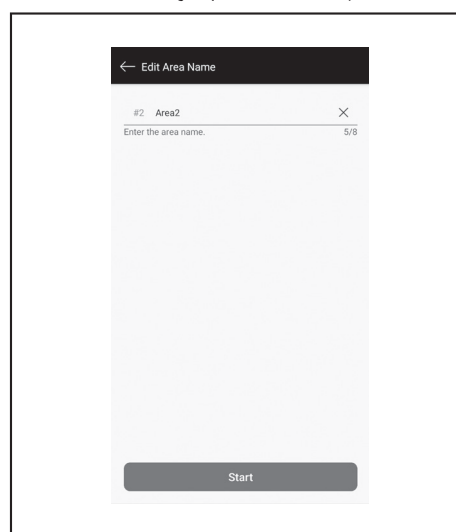
Vous pouvez enregistrer des informations pour un maximum de 5 cartes avec une zone d'une superficie maximale de 10 000 m².

La superficie de la zone n'indique pas la superficie réelle d'une zone cartographiée, mais la zone rectangulaire couvrant toute la zone cartographiée.

1. Dans l'écran [Paramètres de la zone], appuyez sur [Créer une nouvelle carte].

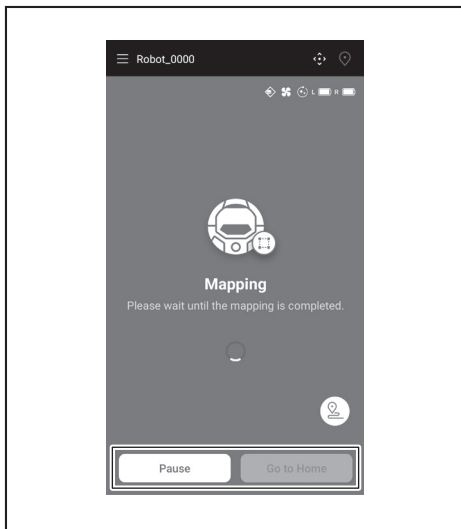


4. Saisissez le nom de la zone (jusqu'à 8 caractères).

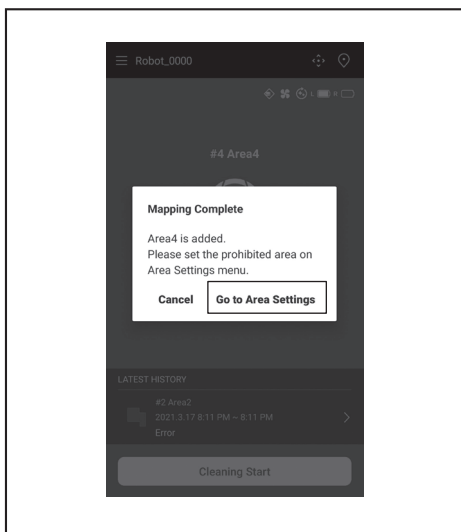


5. Appuyez sur [Démarrer].

6. L'aspirateur robot commence la cartographie.
 - Appuyez sur [Pause] pour que l'aspirateur robot cesse temporairement de cartographier.
 - Appuyez sur [Retourner à la base] pendant la pause pour que l'aspirateur robot retourne au point de départ de la cartographie. Les informations cartographiques créées jusqu'au moment où vous avez appuyé sont enregistrées. Lorsque l'aspirateur robot retourne au point de départ, l'application revient à l'écran d'accueil.



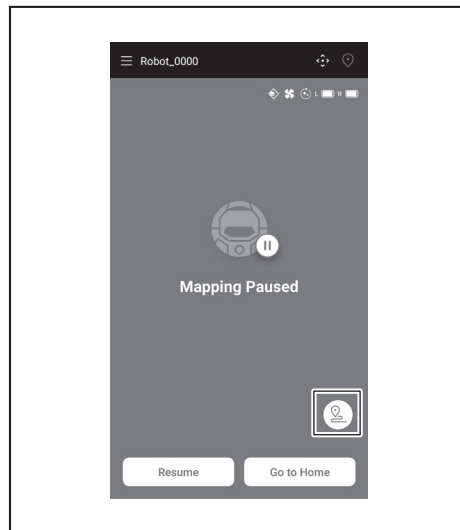
7. Lorsque la cartographie est terminée, une boîte de dialogue demandant s'il faut exécuter les paramètres de la zone s'affiche.
 - Si vous souhaitez limiter la plage de nettoyage, appuyez sur [Aller dans les paramètres de la zone]. (Consultez la page 42.)




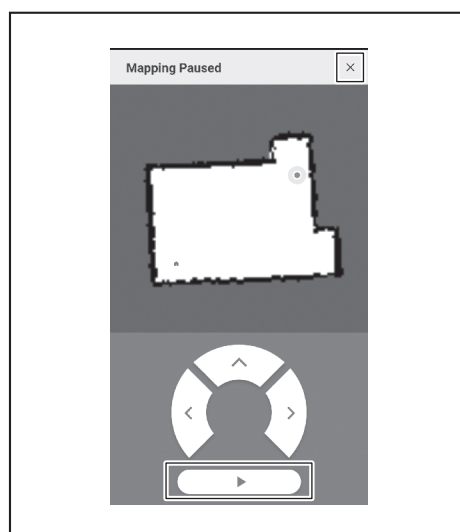
Ajout manuel d'informations cartographiques (cartographie manuelle)

Pendant la cartographie, vous pouvez ajouter manuellement des informations cartographiques avec l'application. Cette procédure est conseillée pour la cartographie d'un agencement complexe.

1. Appuyez sur [Pause], puis sur  pour afficher les boutons de télécommande.



2. Déplacez l'aspirateur robot de façon à tracer l'agencement de la pièce à l'aide des boutons de télécommande de l'application ou de la télécommande.
 - Après avoir ajouté manuellement les informations cartographiques, appuyez sur  pour reprendre la cartographie automatique.
 - Pour quitter la cartographie, appuyez sur [x], puis [Retourner à la base] ou appuyez sur le bouton de point de départ de la télécommande.

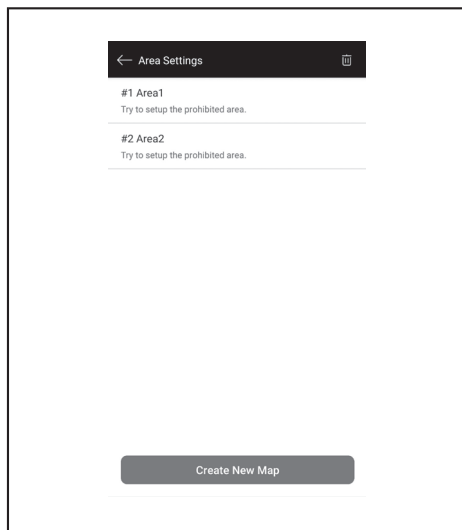


Modification du nom des informations cartographiques

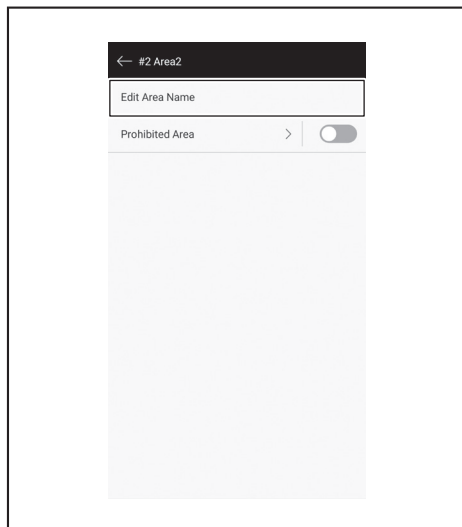
Sur l'écran [Paramètres de la zone], appuyez sur les informations cartographiques à modifier.

Vous pouvez appuyer sur un nom pour aller dans l'écran des paramètres.

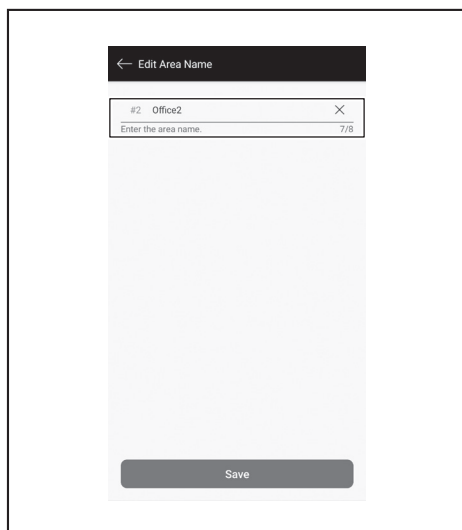
1. Sur l'écran [Paramètres de la zone], appuyez sur les informations cartographiques à modifier.



2. Appuyez sur [Modifier le nom de la zone].



3. Modifiez le nom (jusqu'à 8 caractères).



4. Appuyez sur [Enregistrer] pour confirmer le nom.

Restriction de la plage de nettoyage

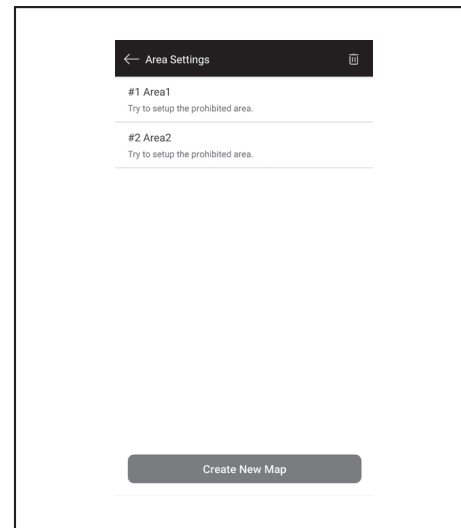
⚠ MISE EN GARDE

N'utilisez pas la zone interdite au nettoyage configurée par l'application pour délimiter une zone où un accident pourrait survenir en raison d'une intrusion ou d'une chute.

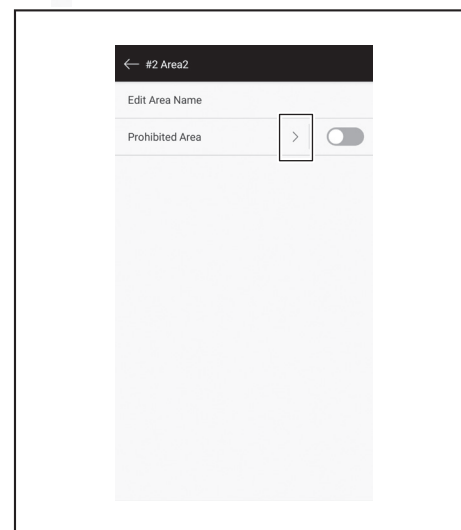
- Cela pourrait provoquer un accident ou des blessures, du fait de l'intrusion ou de la chute de l'aspirateur robot. La trajectoire réelle de l'aspirateur robot peut différer légèrement de la zone interdite au nettoyage configurée.

Dans une zone présentant un risque d'intrusion ou de chute de l'aspirateur robot, placez sur une surface plane un objet d'une hauteur d'au moins 25 cm (9-7/8") pour qu'il serve de mur (il ne doit pas bouger ou basculer en cas de collision avec l'aspirateur robot). (Consultez la page 11.)

1. Sur l'écran [Paramètres de la zone], appuyez sur les informations cartographiques à modifier.

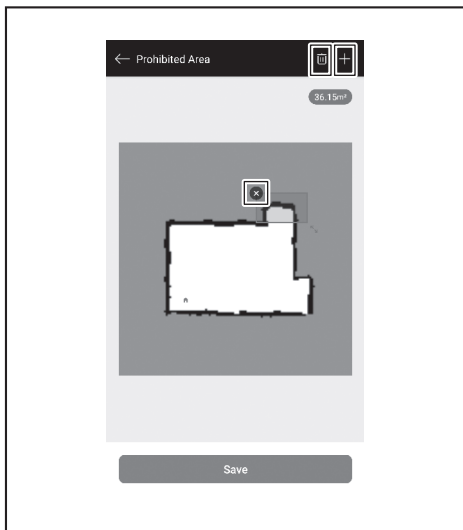


2. Appuyez sur > à côté de [Zone interdite].



3. Définissez une zone interdite au nettoyage.

- Vous pouvez appuyer sur **+** dans l'angle supérieur droit de l'écran pour ajouter une zone interdite au nettoyage (jusqu'à 100 zones).
- Vous pouvez faire glisser une zone interdite au nettoyage pour la déplacer.
- Vous pouvez faire glisser l'angle inférieur droit d'une zone interdite au nettoyage pour ajuster la taille.
- Vous pouvez appuyer sur **x** dans l'angle supérieur gauche d'une zone interdite au nettoyage pour supprimer la zone interdite au nettoyage.
- Vous pouvez appuyer sur **☒** dans l'angle supérieur droit de l'écran pour supprimer toutes les zones interdites au nettoyage.
- Vous ne pouvez pas définir de zone interdite au nettoyage à moins de 2 m (6,56 pi) du point de départ.
- Selon l'environnement proche d'une zone interdite au nettoyage que vous avez définie, il peut être impossible de nettoyer autour de la zone spécifiée.

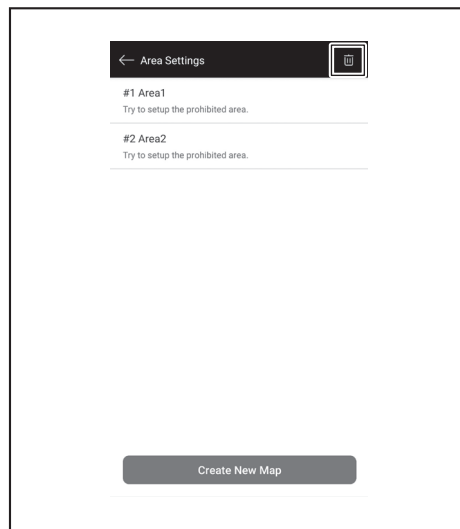


4. Appuyez sur [Enregistrer] pour enregistrer les informations cartographiques modifiées.
5. Pour activer la zone interdite au nettoyage enregistrée, appuyez sur le curseur Marche/arrêt (en vert pour Marche) à côté de [Zone interdite].

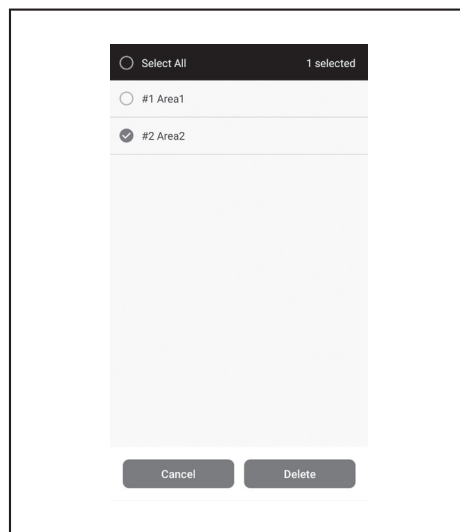


Suppression des informations cartographiques

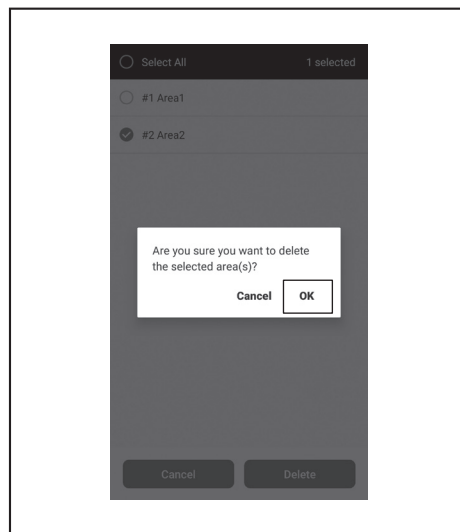
1. Sur l'écran [Paramètres de la zone], appuyez sur **☒**.



2. Sélectionnez les informations cartographiques à supprimer.
- Le cercle du titre des informations cartographiques s'affiche en couleur lorsque ces informations de cartographie sont sélectionnées.
 - Vous pouvez presser [Sélectionner tout] pour sélectionner tous les éléments.




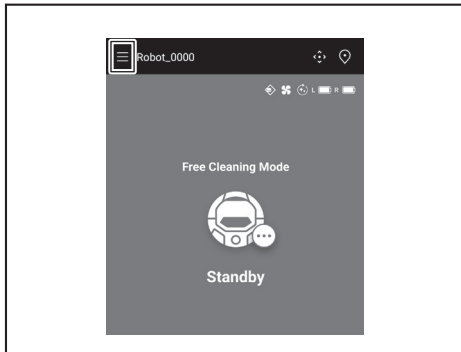
3. Appuyez sur [Supprimer].
4. Un avis s'affiche. Appuyez sur [OK].



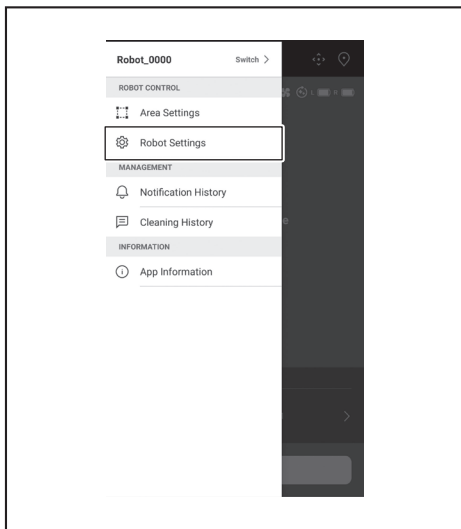
Modification et vérification des paramètres

Vous pouvez modifier et vérifier les paramètres dans [Paramètres du robot] de la fenêtre du menu.

1. Sur l'écran d'accueil, appuyez sur .



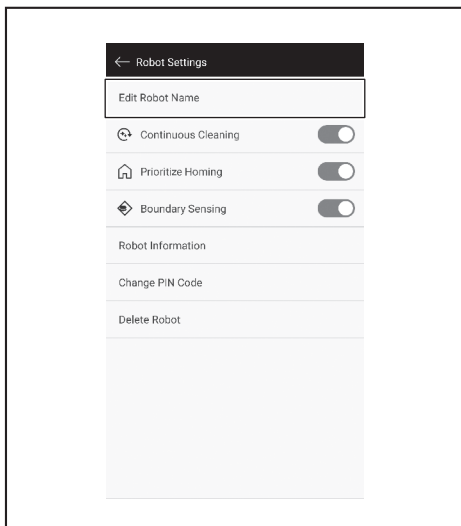
2. Appuyez sur [Paramètres du robot].



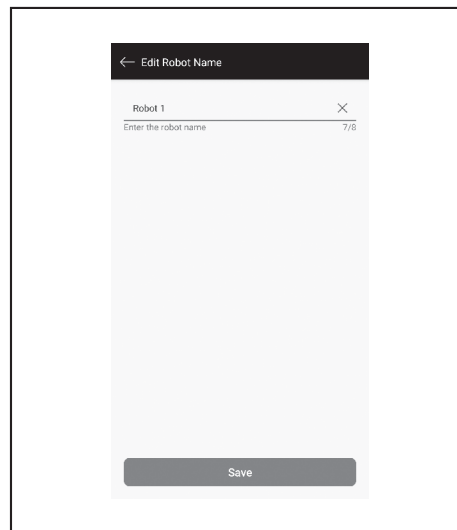
Modification du nom d'un aspirateur robot enregistré

Ce paramètre change uniquement le nom de l'aspirateur robot dans l'application. Le SSID du Wi-Fi® n'est pas modifié.

1. Dans l'écran [Paramètres du robot], appuyez sur [Modifier le nom du robot].



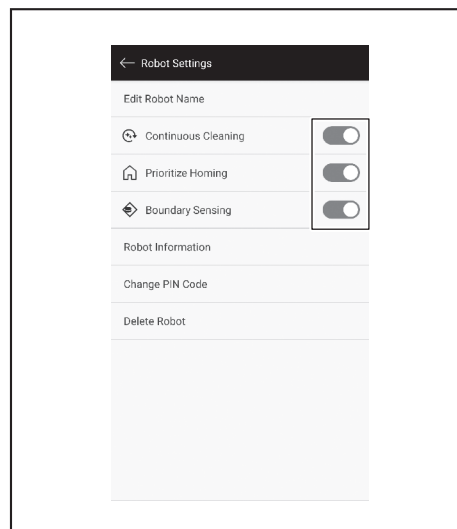
2. Saisissez le nouveau nom (jusqu'à 8 caractères).



3. Lorsque vous avez saisi le nom, appuyez sur [Enregistrer].

Réglage des options de nettoyage

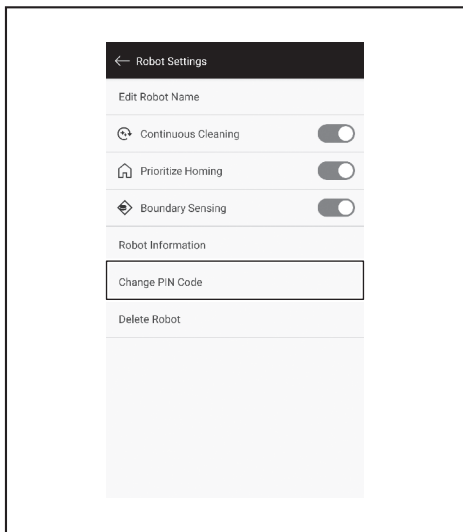
1. Dans l'écran [Paramètres du robot], appuyez sur le curseur Marche/arrêt (en vert pour Marche) à côté de [Nettoyage continu] ou de [Prioriser le retour à la base], si nécessaire.
 - [Nettoyage continu] : Sélectionnez cette option lorsque la batterie est épuisée avant que l'aspirateur robot nettoie toute la zone de nettoyage et que vous souhaitez reprendre le nettoyage de la zone non nettoyée la prochaine fois.
 - [Prioriser le retour à la base] : ce paramètre est recommandé lorsque l'aspirateur robot échoue souvent à revenir au point de départ du nettoyage. L'aspirateur robot commence à revenir au point de départ du nettoyage à condition qu'il reste davantage de charge de la batterie que d'habitude.
 - [Détection des limites] : sélectionnez cette option lorsque vous utilisez la ligne de limite magnétique. L'aspirateur robot détecte la ligne de limite magnétique comme limite. (Consultez la page 21.)



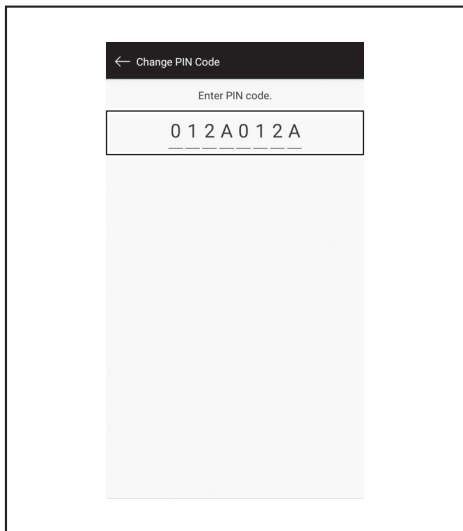
Modification du code PIN

Vous pouvez modifier le code PIN de l'aspirateur robot. Si vous oubliez le code PIN que vous avez configuré, consultez « Réinitialisation des réglages » à la page 24 pour réinitialiser l'aspirateur robot aux paramètres par défaut. Pour vérifier le code PIN par défaut, consultez « Configuration initiale » à la page 35.

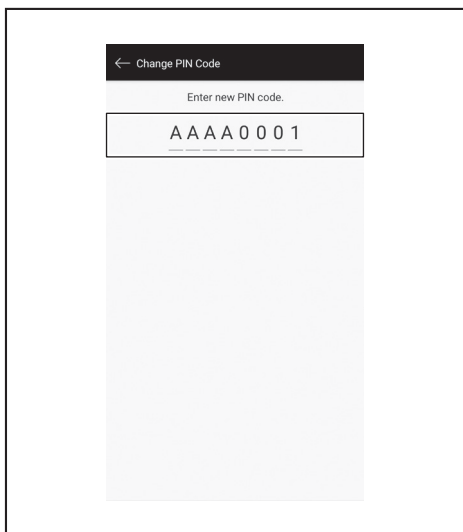
1. Dans l'écran [Paramètres du robot], appuyez sur [Modifier le code PIN].



2. Saisissez le code PIN actuel (huit chiffres).

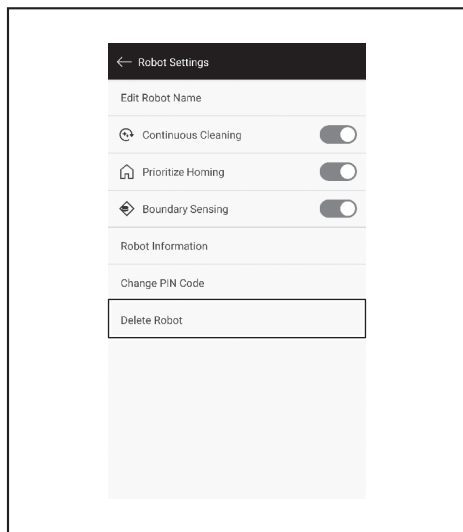


3. Saisissez le nouveau code PIN (huit chiffres) à définir. Saisissez le nouveau code PIN deux fois de suite.

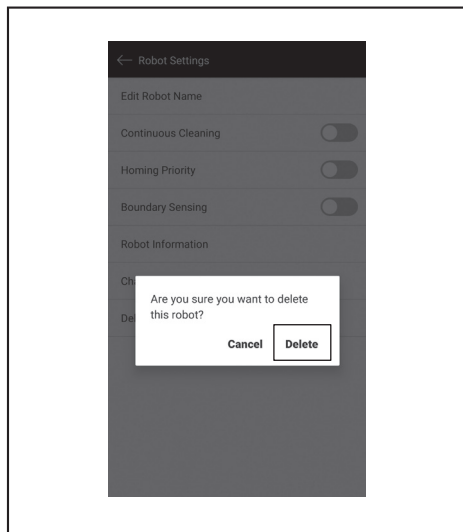


Suppression d'informations enregistrées pour un aspirateur robot

1. Dans l'écran [Paramètres du robot], appuyez sur [Supprimer le robot].

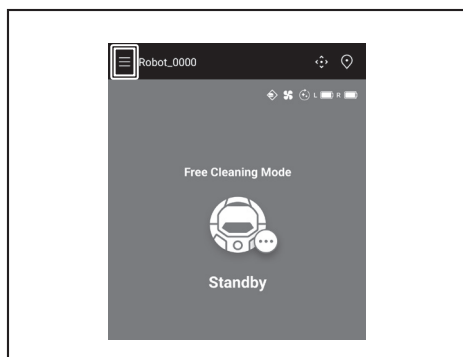


2. Une boîte de dialogue s'affiche pour confirmer la suppression. Appuyez sur [Supprimer] pour confirmer la suppression.

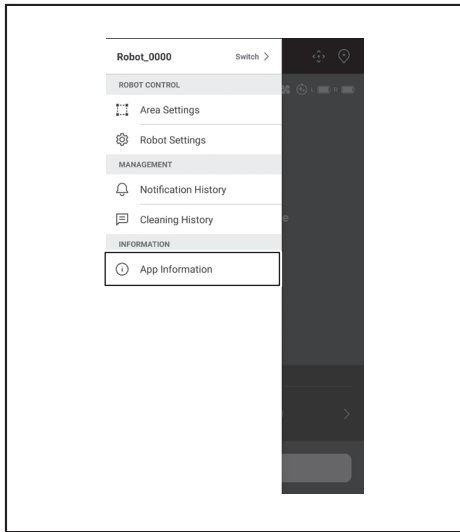


Vérification des informations sur l'application

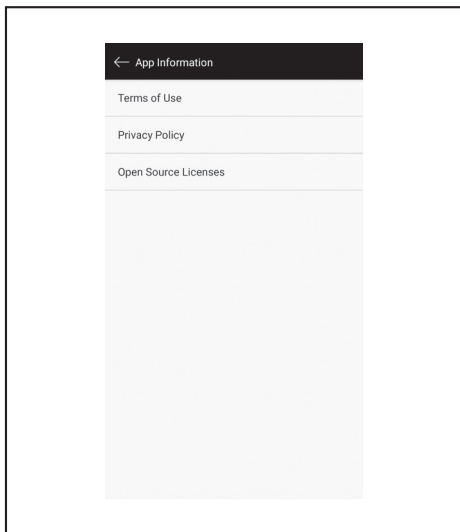
1. Sur l'écran d'accueil, appuyez sur 



2. Appuyez sur [Informations sur l'application].

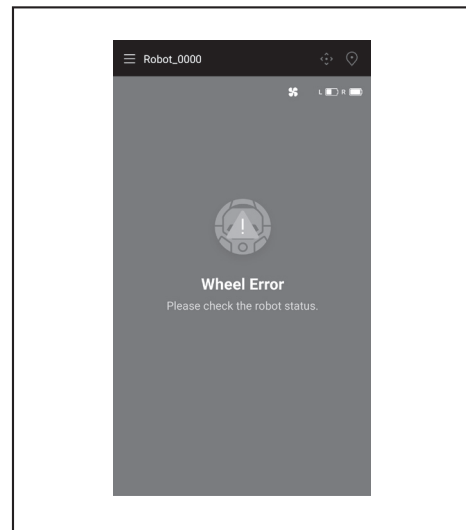
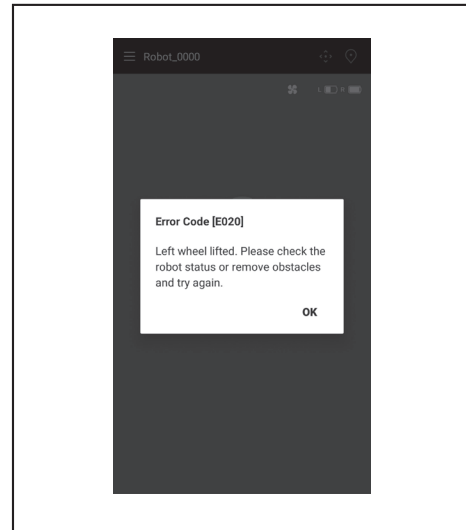


3. Appuyez sur les informations à vérifier.



Message/boîte de dialogue d'erreur

Lorsqu'une erreur survient, un message ou une boîte de dialogue d'erreur s'affiche. Dans ce cas, suivez les instructions du message ou de la boîte de dialogue.



Annexe

Avis au sujet des logiciels à source ouverte

Ce produit inclut des logiciels à source ouverte (ci après dénommés « Logiciels à source ouverte ») soumis à la licence publique générale (GPL) GNU, la licence publique générale limitée (LGPL) GNU et d'autres licences.

Les détails concernant les licences de logiciels à source ouverte (notification de détenteurs de droits d'auteur et concernant les licences) sont accessibles gratuitement sur le site Web suivant. De plus, le code source des Logiciels à source ouverte publiés par nous est accessible gratuitement sur le site Web suivant.

<https://oss.makita.biz/index.html>

- Veuillez éviter de demander des renseignements sur le code source des Logiciels à source ouverte.
- Nous n'offrons aucune garantie d'aucune sorte concernant les Logiciels à source ouverte. Toutefois, cet avis ne limite pas notre couverture de garantie pour les défauts du produit (y compris les défauts causés par les Logiciels à source ouverte).

Pour les États-Unis

Cet appareil est conforme à l'article 15 du Règlement de la FCC et aux normes applicables aux appareils radio exempts de licence d'Industrie Canada. L'utilisation est soumise aux deux conditions suivantes : (1) cet appareil ne doit pas provoquer d'interférences nuisibles et (2) ce dispositif doit accepter toutes les interférences reçues, y compris celles susceptibles de provoquer un fonctionnement indésirable.

Avertissement de la FCC

Les changements ou les modifications non expressément approuvés par la partie responsable de la conformité peuvent annuler l'autorisation d'exploitation dont bénéficie l'utilisateur pour l'équipement.

Cet équipement respecte les limites d'exposition aux rayonnements énoncées par la FCC/IC pour un environnement non contrôlé et est conforme aux directives de la FCC relatives à l'exposition aux radiofréquences (RF). Cet équipement doit être installé et utilisé de sorte que l'émetteur reste à au moins 20 cm du corps humain.

Cet émetteur ne doit pas être colocalisé ou utilisé en association avec une antenne ou un autre émetteur.

Module Wi-Fi	Nom du module	LCW-006
	Puissance de sortie/Plage de fréquence	2 412,0 - 2 462,0 MHz/17,48 dBm (p.i.r.e) 2 422,0 - 2 452,0 MHz/13,75 dBm (p.i.r.e)
Module Bluetooth	Nom du module	T007-MA-MD
	Puissance de sortie/Plage de fréquence	2 402,0 - 2 480,0 MHz/2,239 mW (2,5 dBm)
Télécommande	Nom du module	C011
	Puissance de sortie/Plage de fréquence	2 402,0 - 2 480,0 MHz/2,884 mW (3 dBm)

Télécommande uniquement

REMARQUE : Cet équipement a été testé et jugé conforme aux limites fixées pour un appareil numérique de classe B selon l'article 15 du Règlement de la FCC. Ces limites servent à fournir une protection raisonnable contre les interférences nuisibles dans une installation résidentielle. Cet équipement génère, utilise et peut émettre des énergies de fréquence radio et, s'il n'est pas installé et utilisé conformément aux instructions, risque de provoquer des interférences nuisibles aux communications radio. Toutefois, il n'existe aucune garantie d'absence d'interférences avec une installation spécifique. Si cet équipement provoque des interférences nuisibles à la réception radio ou de télévision, ce qui peut se vérifier en arrêtant puis en redémarrant l'équipement, il est conseillé à l'utilisateur d'essayer de corriger les interférences via l'une ou plusieurs des mesures suivantes :

- Réorienter ou déplacer l'antenne de réception.
- Éloigner l'équipement du récepteur.
- Connecter l'équipement à une prise sur un circuit autre que celui auquel le récepteur est connecté.
- Consulter le distributeur ou un technicien TV/radio expérimenté pour obtenir de l'aide.

Makita U.S.A. Inc.
14930 Northam Street, La Mirada, CA 90638-5753, États-Unis
+1-(714) 522-8088

Pour le Canada

L'émetteur/récepteur ou les émetteurs/récepteurs exempt(s) de licence contenu(s) dans le présent appareil est ou sont conforme(s) aux normes CNR d'Innovation, Sciences et Développement économique Canada applicables aux appareils radio exempts de licence. L'utilisation est soumise aux deux conditions suivantes :

1. Cet appareil ne doit pas provoquer d'interférences.
2. Cet appareil doit accepter toutes les interférences reçues, y compris celles susceptibles de provoquer un fonctionnement indésirable.

Cet équipement respecte les limites d'exposition aux rayonnements énoncées par l'ISDE pour un environnement non contrôlé et respecte les règles d'exposition aux fréquences radioélectriques (RF) CNR-102 de l'ISDE. Cet équipement doit être installé et utilisé de sorte que l'émetteur reste à au moins 20 cm du corps humain.

L'émetteur/récepteur exempt de licence contenu dans le présent appareil est conforme aux CNR d'Innovation, Sciences et Développement économique Canada applicables aux appareils radio exempts de licence. L'exploitation est autorisée aux deux conditions suivantes :

1. L'appareil ne doit pas produire de brouillage;
2. L'appareil doit accepter tout brouillage radioélectrique subi, même si le brouillage est susceptible d'en compromettre le fonctionnement.

Cet équipement est conforme aux limites d'exposition aux rayonnements énoncées pour un environnement non contrôlé et respecte les règles d'exposition aux fréquences radioélectriques (RF) CNR-102 de l'ISDE. Cet équipement doit être installé et utilisé en gardant une distance de 20 cm ou plus entre le radiateur et le corps humain.

Module Wi-Fi	Nom du module	LCW-006
	Puissance de sortie/Plage de fréquence	2 412,0 - 2 462,0 MHz/17,48 dBm (p.i.r.e) 2 422,0 - 2 452,0 MHz/13,75 dBm (p.i.r.e)
Module Bluetooth	Nom du module	T007-MA-MD
	Plage de fréquence/Puissance	2 402,0 - 2 480,0 MHz/2,239 mW (2,5 dBm)
Télécommande	Nom du module	C011
	Plage de fréquence/Puissance	2 402,0 - 2 480,0 MHz/2,884 mW (3 dBm)

ESPAÑOL

Índice

- INSTRUCCIONES DE SEGURIDAD IMPORTANTES ----- 2
- Acerca del robot limpiador ----- 2
 - Características principales ----- 2
 - Cargador y cartucho de batería correspondiente ----- 2
 - Uso previsto ----- 3
 - Símbolos ----- 3
 - Precauciones de seguridad ----- 3
 - Precauciones de seguridad para utilizar el robot limpiador ----- 4
 - Precauciones con respecto a las ondas de radio ----- 8
 - Marcas comerciales y marcas registradas ----- 8
 - Nombres de las piezas ----- 9
 - Accesorios estándar ----- 10
- Preparación antes de la limpieza ----- 11
 - Acerca del transporte del robot limpiador ----- 11
 - Acerca de la limpieza con el robot limpiador ----- 11
 - Para evitar que el robot limpiador se caiga ----- 11
 - Organización del lugar para la limpieza ----- 12
- Preparación para su uso ----- 14
 - Instalación de los cepillos laterales ----- 14
 - Desembalaje de la caja recolectora de polvo ----- 14
 - Instalación de baterías en el mando a distancia ----- 14
 - Indicación de la capacidad de batería restante ----- 15
 - Instalación y extracción de baterías (se venden por separado) ----- 15
 - Encendido y apagado ----- 16
 - Configuración antes de la limpieza ----- 16
- Instrucciones de uso ----- 17
 - Limpieza ----- 17
 - Limpieza de una habitación con mapeo ----- 17
 - Eliminación de la información de mapeo ----- 18
 - Suspensión o finalización de la limpieza ----- 19
 - Encendido y apagado del ventilador extractor ----- 19
 - Uso de la función de baliza de localización ----- 19
 - Uso del temporizador de encendido y apagado ----- 19
 - Control del rango de limpieza ----- 21
 - Instalación, extracción y uso de elementos vendidos por separado ----- 22
 - Eliminación de residuos ----- 22
- Configuración del robot limpiador ----- 23
 - Configuración de la hora del día ----- 23
 - Configuración del Wi-Fi® (en el robot limpiador y el smartphone) ----- 23
 - Ajuste de sonido ----- 23
 - Restablecimiento de los ajustes ----- 24
- Cuidado ----- 25
 - Mantenimiento ----- 25
 - Acerca de la reparación ----- 28
- Indicación de error y notificación ----- 29
 - Cancelación de una indicación de error y notificación ----- 29
 - Notificación de mantenimiento, etc. ----- 29
 - Notificación de errores ----- 29
- Detección y resolución de problemas ----- 31
- Almacenamiento ----- 33
- Accesorios opcionales ----- 34
- Aplicación para smartphone (para DRC300) ----- 35
 - Índice ----- 35
 - Qué puede hacer con la aplicación ----- 35
 - Instalación de la aplicación ----- 35
 - Pantalla de inicio ----- 36
 - Limpieza con la aplicación ----- 36
 - Revisar el historial de limpieza ----- 38
 - Agregar, cambiar o eliminar la información de mapeo ----- 40
 - Cambio y comprobación de ajustes ----- 44
 - Mensaje de error/diálogo ----- 46
- Anexo ----- 47
 - Aviso sobre el software de código abierto ----- 47
 - Para los Estados Unidos ----- 47
 - Para Canadá ----- 47

INSTRUCCIONES DE SEGURIDAD IMPORTANTES

Cuando utilice un aparato eléctrico, debe respetar las precauciones básicas, incluso las siguientes:

LEA TODAS LAS INSTRUCCIONES ANTES DE UTILIZAR ESTE APARATO.

ADVERTENCIA

Para reducir el riesgo de incendio, descarga eléctrica o lesión:

1. No deje el aparato con la batería colocada. Retire la batería del aparato cuando no se utilice y cuando se le realice mantenimiento.
2. No utilice el aparato en superficies húmedas. No exponga el aparato a la lluvia. Almacénelo en interiores.
3. No permita que se utilice como juguete. Preste atención cuando haya niños que utilicen el aparato o se utilice cerca de niños.
4. Utilice el aparato solo del modo descrito en este manual. Utilice únicamente los accesorios recomendados por el fabricante.
5. No utilice el aparato con baterías dañadas. Si el aparato no funciona como debería, se ha caído, está dañado o quedó al aire libre o sumergido en agua, envíelo al centro de mantenimiento.
6. No manipule la batería ni el aparato con las manos mojadas.
7. No coloque objetos en las aberturas. No utilice ninguna abertura bloqueada; mantenga el aparato libre de polvo, pelusa, cabello y cualquier elemento que pueda reducir el flujo de aire.
8. Mantenga el cabello, las prendas de vestir sueltas, los dedos y cualquier parte del cuerpo lejos de las aberturas y las piezas móviles.
9. Apague todos los controles antes de retirar el cartucho de batería.
10. No utilice el aparato para recoger líquidos inflamables o combustibles, como gasolina, ni en áreas donde pueda haber esos líquidos.
11. Para recargar el aparato, utilice únicamente el cargador suministrado por el fabricante.
12. No recoja objetos que se estén quemando o larguen humo, como cigarrillos, fósforos o cenizas calientes.
13. No utilice el aparato sin la caja recolectora de polvo y los filtros colocados. Sustituya la caja recolectora de polvo y los filtros dañados de inmediato.
14. Este aparato puede ser utilizado por niños a partir de los ocho años de edad y personas con capacidades físicas, sensoriales o mentales reducidas, o personas sin experiencia y conocimientos, siempre y cuando reciban supervisión de las instrucciones con respecto al uso del aparato de forma segura y la comprensión de los peligros que implica. Los niños no deberán jugar con el aparato. Los niños no deberán realizar tareas de limpieza o mantenimiento sin supervisión.
15. Coloque los cables de otros aparatos alejados del área que se va a limpiar.
16. No utilice el aspirador en una habitación en la que haya niños durmiendo.
17. No utilice el aspirador en un área en la que haya velas encendidas u objetos frágiles en el suelo que se va a limpiar.
18. No utilice el aspirador en una habitación en la que haya velas encendidas sobre muebles que este pueda golpear o contra los que se pueda chocar de forma accidental.
19. No permita que los niños se sienten sobre el aspirador.
20. No utilice el aspirador en una superficie húmeda.

GUARDE ESTAS INSTRUCCIONES.

Este aparato está diseñado para uso comercial.

Acerca del robot limpiador

Características principales

Característica principal		Modelo:DRC300
Tensión		CC 18 V
Tiempo de funcionamiento continuo*1 *2		Aproximadamente, 240 minutos
Volumen de recolección de polvo		3,0 l
Dimensiones		500 mm (largo) × 500 mm (ancho) × 204 mm (alto) (19-3/4" (largo) × 19-3/4" (ancho) × 8" (alto))
Peso*2		10,6 kg (23,4 lb)
Comunicación inalámbrica	Sistema de comunicación	1. El robot limpiador con el mando a distancia: Bluetooth 2. El robot limpiador con el smartphone: Wi-Fi® (SoftAP)
	Distancia de comunicación calculada	1. 20 m (65,62 pies) o menos 2. 10 m (32,81 pies) o menos
LAN inalámbrico	Banda de frecuencia	2,4 GHz
	Potencia de radiofrecuencia máxima	17,48 dBm (EIRP)
	Normas de LAN inalámbrico	IEEE 802.11 b/g/n
	Método de cifrado	WPA/WPA2
	Versión de WPS	Versión 2.0
Bluetooth	Banda de frecuencia	2402,0 - 2480,0 MHz
	Potencia de radiofrecuencia máxima	Mando a distancia: -4 dBm (EIRP)
	Rango de transmisión	Aproximadamente 10 m (32,81 pies)
	Versión de Bluetooth®	4.2 (Bluetooth de bajo consumo)
Salida del láser	Longitud de onda	775 - 800 nm
	Salida	1 mW o menos (IEC 60825-1:2014, láser de clase 1)

- Tenga en cuenta que las principales características, forma y otras características están sujetas a cambios para mejorarlas.
- El sensor LiDAR de este producto es un producto láser de clase 1, según define la norma internacional IEC 60825-1:2014 sobre la seguridad de productos láser.

*1. Cuando se utiliza sobre un suelo liso, como un suelo con baldosas de vinilo, utilice el aparato con el ventilador extractor encendido. El tiempo de funcionamiento varía en función de las condiciones de la ubicación donde se utilice, el tipo de suelo, las condiciones de la batería, la temperatura de la habitación, etc. Además, el tiempo de ejecución puede ser menor en entornos de temperatura baja debido a las características de la batería de litio.

*2. Cuando está equipado con dos baterías BL1860B.

Cargador y cartucho de batería correspondiente

Cartucho de batería	BL1815N / BL1820B / BL1830B / BL1840B / BL1850B / BL1860B
Cargador	DC18RC / DC18RD / DC18RE / DC18SD / DC18SE / DC18SF / DC18SH / DC18WC

- Es posible que algunos cargadores y cartuchos de batería indicados no estén disponibles de acuerdo con su región de residencia.

⚠️ ADVERTENCIA

Utilice únicamente los cargadores y cartuchos de batería indicados. El uso de cualquier otro cargador y cartucho de batería puede producir lesiones o incendios.

Acerca de las fuentes de alimentación conectadas por cable






Las fuentes de alimentación conectadas por cable no pueden utilizarse para este producto. Si se utilizan, pueden producir lesiones o accidentes.

Uso previsto

Este producto es una aspiradora robot diseñada para limpiar suelos en interiores. Algunas operaciones y ajustes pueden realizarse con el mando a distancia y la aplicación dedicada.

Símbolos

A continuación, se muestran los símbolos que pueden utilizarse en el equipo. Asegúrese de comprender su significado antes de utilizar el equipo.

V	voltios
— — —	corriente continua
	Lea el manual de instrucciones.
	Tenga especial cuidado y preste atención.
	Una batería representativa aplicable a este producto.
	No pise ni coloque objetos sobre el robot limpiador.
	No utilice el robot limpiador cerca de llamas abiertas ni materiales inflamables o peligrosos.
	Limpie los sensores de precipicio en el lado inferior si están sucios o mojados.

Precauciones de seguridad

Acerca del significado de **⚠️ ADVERTENCIA**, **⚠️ PRECAUCIÓN** y **⚠️ AVISO** en las precauciones

Las consideraciones para el uso de este producto se clasifican como

⚠️ ADVERTENCIA, **⚠️ PRECAUCIÓN** y **⚠️ AVISO**.

Sus respectivos significados son estos.

⚠️ ADVERTENCIA : Una precaución para indicar el riesgo de muerte o lesión grave del usuario si el producto se manipula de manera inadecuada.

⚠️ PRECAUCIÓN : Una precaución para indicar el riesgo de lesión del usuario o riesgo de daños a la propiedad si el producto se manipula de manera inadecuada. Tenga en cuenta que un asunto descrito como **⚠️ PRECAUCIÓN** puede tener consecuencias graves de acuerdo con la situación.

Asegúrese de respetar estas precauciones, ya que todas son importantes para la seguridad.

Precauciones importantes para la manipulación de los productos y sus accesorios.

⚠️ AVISO :

- Asegúrese de respetar las "Precauciones de seguridad" para evitar accidentes como incendios, descargas eléctricas y lesiones.
- Antes de utilizar el producto, lea las "Precauciones de seguridad" exhaustivamente para asegurarse de utilizar adecuadamente el producto.
- Después de leerlas, asegúrese de guardarlas para que quienes utilicen el producto las consulten en cualquier momento.
- Al prestar el producto a otra persona, brinde el producto y el manual de usuario.
- Las siguientes señalizaciones suelen utilizarse para clasificar y explicar cosas que hay que respetar.

Ejemplos de señalizaciones






La señalización indica algo "prohibido", es decir, algo que no debe hacer.







La señalización indica algo "obligatorio", es decir, algo que debe hacer.



Estas imágenes se proporcionan a modo de referencia. Tenga en cuenta que el diseño variará de acuerdo con el producto.

⚠️ ADVERTENCIA	
No lave el producto con agua. No utilice este producto en un lugar húmedo o mojado, como el baño. <ul style="list-style-type: none">• El ingreso de agua al motor puede producir cortocircuitos, generación de calor o incendio.• Algunos componentes pueden lavarse con agua. Consulte "Cuidado" en la página 25.	
Nunca desmonte, repare ni modifique el producto. <ul style="list-style-type: none">• Esto puede producir incendio o una operación anormal y causar lesiones.	
No permita que los niños jueguen con el producto o el cargador. <ul style="list-style-type: none">• Un momento de descuido puede producir lesiones graves.	
No utilice este producto en exteriores.	
No utilice este producto en un lugar inestable, como escaleras o una pendiente pronunciada. <ul style="list-style-type: none">• Este producto puede volcar o caerse y producir lesiones.	
No utilice elementos distintos de los elementos que se venden por separado y los accesorios especificados por Makita. <ul style="list-style-type: none">• Utilizar un elemento distinto de los accesorios y elementos que se venden por separado que se indican en el manual de usuario y nuestro catálogo puede producir accidentes o lesiones.	
No coloque este producto cerca de llamas, dispositivos de calefacción, etc. <ul style="list-style-type: none">• Esto puede producir cortocircuitos o incendio debido a la deformación del producto.	
No utilice el producto ni cargue la batería cerca de sustancias inflamables (gasolina, bencina, diluyente, gas, etc.). <ul style="list-style-type: none">• Esto puede producir explosiones o incendios.	
No almacene el producto en un lugar donde la temperatura pueda alcanzar o superar los 50 °C (122 °F) (cajas metálicas, dentro de un automóvil en verano, etc.). <ul style="list-style-type: none">• Esto puede producir cortocircuitos o incendio debido a la deformación del producto.• La batería puede deteriorarse y producir humo o incendios.	
No cargue la batería en las siguientes condiciones, ya que puede producir un incendio. <ul style="list-style-type: none">• Sobre papel, como el cartón corrugado, paños, como el de un sillón, una alfombra, vinilos, etc.• Se utiliza un cargador con orificios de ventilación, pero los orificios se tapan durante la carga. O se colocan metales o elementos combustibles en los orificios de ventilación.• En un lugar con polvo, por ejemplo, con polvo de algodón.	
No cargue en la lluvia; no retire ni coloque la batería o el enchufe de alimentación con las manos mojadas. No permita que haya materia extraña, como piezas metálicas o agua, cerca del terminal del cargador. <ul style="list-style-type: none">• Esto puede producir descargas eléctricas o lesiones.	
No utilice un cargador distinto del cargador exclusivo. <ul style="list-style-type: none">• Esto puede producir fugas, calentamiento o rotura de la batería.• No utilice el cargador para usos que no impliquen la carga.	
No utilice el cargador para usos que no impliquen la carga. No utilice la batería y el cargador para equipos distintos de los especificados por Makita.	



 ADVERTENCIA	
<p>No maltrate el cable del cargador.</p> <ul style="list-style-type: none"> No sostenga el cargador del cable ni tire con fuerza del cable para desconectarlo del tomacorriente. Mantenga el cable lejos del calor, el aceite, las sustancias químicas y las esquinas filosas. Tenga cuidado al colocar el cargador a cargar para evitar que se pise el cable, quede atorado o se dañe debido a fuerza en exceso. Las descargas eléctricas o los cortocircuitos pueden producir incendios. 	
<p>No utilice si el cable del cargador está dañado o si el enchufe no queda colocado con firmeza.</p> <ul style="list-style-type: none"> Pueden producirse descargas eléctricas, cortocircuitos o incendio. 	
<p>La pieza de montaje de la batería del cargador tiene un terminal de carga. No permita que haya materia extraña, como piezas metálicas o agua, cerca del terminal de carga.</p>	
<p>No cubra la batería y el cargador con un paño u otro elemento durante la carga.</p> <ul style="list-style-type: none"> Cargue la batería en un lugar bien ventilado. De lo contrario, puede producirse calentamiento, rotura o incendio. 	


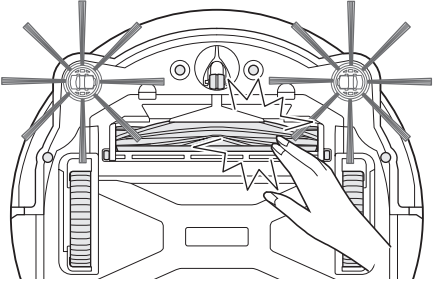
 ADVERTENCIA	
<p>Asegúrese de apagar el equipo y retirar las baterías antes de realizar tareas de mantenimiento e inspección para evitar que el producto se active accidentalmente.</p>	
<p>Al colocar la batería en este producto, asegúrese de no encenderlo.</p> <ul style="list-style-type: none"> Cuando coloque la batería en condiciones donde el equipo pueda encenderse (por ejemplo, cuando tenga el dedo apoyado en el botón de inicio/parada), este producto puede comenzar a moverse repentinamente y producir un accidente. 	
<p>En el caso de que el producto se caiga o impacte de manera imprevista, revise con cuidado este producto para detectar daños, grietas y deformación.</p> <ul style="list-style-type: none"> Los daños, las grietas y la deformación pueden producir lesiones. 	
<p>Mueva este producto con cuidado para evitar que se deforme y dañe.</p> <ul style="list-style-type: none"> Los daños, las grietas y la deformación pueden producir lesiones. 	
<p>Si este producto no funciona adecuadamente o emite un sonido anormal al utilizarlo, apáguelo de inmediato y deje de utilizarlo. Luego, solicite en la tienda donde lo haya comprado o nuestra oficina de ventas que se le realice una inspección y reparación.</p> <ul style="list-style-type: none"> Si sigue utilizando el producto, puede provocar lesiones o accidentes. 	
<p>Compruebe que no haya piezas dañadas.</p> <ul style="list-style-type: none"> Antes de utilizar el producto, inspecciónelo en detalle para detectar daños en los componentes; compruebe que el producto funcione adecuadamente y brinde la funcionalidad predeterminada. Compruebe que las piezas móviles se posicionen y ajusten adecuadamente y verifique que los componentes no estén dañados y encajen adecuadamente. Luego, compruebe todas las demás áreas que puedan afectar el funcionamiento para detectar cualquier anomalía. Para la sustitución y reparación de componentes dañados, siga el manual de usuario. Si el manual de usuario no brinda información al respecto, solicite a la tienda donde compró el producto o nuestra oficina de ventas que realicen la reparación. 	
<p>Mantenga este producto en buen estado.</p> <ul style="list-style-type: none"> Para la sustitución de accesorios, siga el manual de usuario. Inspeccione con regularidad el cable del cargador; si está dañado, solicite a la tienda donde compró el producto o nuestra oficina de ventas que realicen la reparación. Las descargas eléctricas o los cortocircuitos pueden producir incendios. Cuando se utilice un cable de extensión para la carga, inspecciónelo con regularidad y, si detecta daños, sustitúyalo. Las descargas eléctricas o los cortocircuitos pueden producir incendios. Procure mantener siempre el asa de transporte limpia y seca y no permita que entre en contacto con aceite, grasa, etc. 	
<p>Cuando no utilice el producto, almacénelo adecuadamente.</p> <ul style="list-style-type: none"> Manténgalo en un lugar seco y seguro lejos del alcance de los niños o en un lugar seco bajo llave. Pueden producirse accidentes. 	


 ADVERTENCIA	
<p>Desconecte el cargador del tomacorriente cuando no se utilice.</p> <ul style="list-style-type: none"> Si no lo desconecta, pueden producirse descargas eléctricas, corriente de fuga o incendio debido al deterioro del aislamiento. 	
<p>Si nota un calor anormal u otras condiciones anormales durante la carga, desconecte el enchufe del cargador de inmediato para detener la carga.</p> <ul style="list-style-type: none"> Si continúa con la carga, puede comenzar a salir humo o producirse incendios o roturas. 	


 PRECAUCIÓN	
<p>Conecte los accesorios con firmeza de acuerdo con las instrucciones del manual de usuario.</p> <ul style="list-style-type: none"> Si no se conectan con firmeza, pueden producir lesiones, daños o accidentes. 	
<p>Al transportar este producto, sosténgalo siempre del asa de transporte.</p> <ul style="list-style-type: none"> Sostener el producto de otro lado que no sea el asa de transporte puede producir fallas o lesiones. 	

Precauciones de seguridad para utilizar el robot limpiador

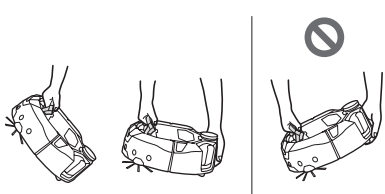
 ADVERTENCIA	
<p>No utilice este producto en un lugar alto sin gabinete o un lugar estrecho, como en escaleras.</p> <ul style="list-style-type: none"> Esto puede hacer que el producto se caiga y produzca lesiones o fallas. 	
<p>No utilice este producto en un lugar donde haya componentes de aceite, como el aceite para cocinar, ni uno donde se utilicen aerosoles y sustancias químicas, como barberías, salones de belleza, lavanderías o al aire libre.</p> <ul style="list-style-type: none"> Esto puede producir fallas. 	
<p>No utilice este producto en un lugar donde haya una persona que no pueda operar este producto adecuadamente, como un niño o bebé.</p> <ul style="list-style-type: none"> Esto puede producir descargas eléctricas, accidentes o lesiones. 	
<p>No utilice este producto en un lugar donde haya animales, etc.</p> <ul style="list-style-type: none"> Esto puede producir descargas eléctricas, accidentes o lesiones. 	
<p>No utilice este producto en un lugar donde haya muchas personas o por el que transiten constantemente personas.</p> <ul style="list-style-type: none"> Esto puede producir descargas eléctricas, accidentes o lesiones. 	
<p>No bloquee la abertura de succión ni la abertura de escape; tampoco coloque en las aberturas metales, objetos extraños inflamables, etc.</p> <ul style="list-style-type: none"> Esto puede producir descargas eléctricas, incendio o lesiones. 	
<p>No utilice este producto cerca de un objeto que pueda bloquear la abertura de succión.</p> <ul style="list-style-type: none"> Esto puede producir descargas eléctricas, incendio o lesiones. 	
<p>No caliente este producto ni lo arroje al fuego.</p> <ul style="list-style-type: none"> Esto puede producir cortocircuitos, incendio, fugas de líquido o explosiones. 	
<p>No coloque este producto en un lugar con altas temperaturas, como cerca del fuego o un calefactor, un lugar expuesto a la luz natural directa ni dentro de un vehículo bajo el sol resplandeciente.</p> <ul style="list-style-type: none"> Esto puede producir cortocircuitos, incendio, fugas de líquido o explosiones. 	
<p>No coloque objetos encima de este producto.</p> <ul style="list-style-type: none"> Esto puede producir sobrecalentamiento e incendios. 	
<p>No coloque este producto bajo la luz natural directa.</p> <ul style="list-style-type: none"> Esto puede producir una respuesta incorrecta del sensor LiDAR y el sensor infrarrojo, lo que generará una falla o un mal funcionamiento. 	
<p>No bloquee los sensores de este producto ni coloque objetos extraños.</p> <ul style="list-style-type: none"> Esto puede producir un mal funcionamiento o fallas. 	

⚠ ADVERTENCIA	
<p>No coloque pegatinas ni cinta en los sensores y las ruedas.</p> <ul style="list-style-type: none"> • Esto puede producir un mal funcionamiento o fallas. 	
<p>No se siente sobre este producto, no lo golpee con fuerza ni le coloque encima un objeto pesado.</p> <ul style="list-style-type: none"> • Esto puede producir daños, fallas del producto o lesiones. Preste atención en especial cuando haya niños cerca. 	
<p>Durante la operación, no toque las ruedas motrices ni coloque la mano o el pie debajo del producto.</p> <ul style="list-style-type: none"> • Esto puede producir lesiones en la mano, etc. Preste atención en especial cuando haya niños cerca. 	
	
<p>No deje el producto a manos de niños sin supervisión. Las personas que no puedan expresarse por su cuenta y no puedan operar el producto de manera independiente no podrán utilizar este producto.</p> <ul style="list-style-type: none"> • Esto puede producir descargas eléctricas, accidentes o lesiones. 	
<p>No vierta agua ni detergente sobre el producto; tampoco lo lave (con excepción del cepillo principal, el cepillo lateral, la caja recolectora de polvo y el filtro).</p> <ul style="list-style-type: none"> • Esto puede producir descargas eléctricas, cortocircuitos o incendio. 	
<p>No toque el producto con las manos mojadas.</p> <ul style="list-style-type: none"> • Esto puede producir descargas eléctricas. 	
<p>No utilice una línea de demarcación magnética desgastada, deformada o que aparentemente haya perdido su fuerza magnética.</p> <ul style="list-style-type: none"> • Esto puede producir accidentes o lesiones. 	
<p>No debe colocar las partes del cuerpo, como las manos y el cabello, ni sus prendas de vestir en las aberturas de succión o escape del producto.</p> <ul style="list-style-type: none"> • Esto puede producir lesiones. 	
<p>No debe permitir que las partes del cuerpo, como las manos y el cabello, ni sus prendas de vestir hagan contacto con el cepillo giratorio.</p> <ul style="list-style-type: none"> • Esto puede producir lesiones. 	
<p>No permita que este producto aspire estos elementos. Esto puede producir incendio, lesiones o fallas del motor.</p> <p>Sustancias inflamables</p> <ul style="list-style-type: none"> • Aceites (queroseno, gasolina, etc.). • Disolventes (bencina, diluyente, etc.). • Elementos inflamables, como fósforos, incienso, velas y ceniza caliente; elementos que emitan humo, cigarrillos; elementos con alta temperatura. • Combustibles, como tóner. • Pinturas. • Chispas de esmerilado, polvo de metal, etc., que se generen al cortar metal y esmerilar. • Gas inflamable (aerosol, etc.). <p>Sustancias explosivas</p> <ul style="list-style-type: none"> • Nitroglicerina, etc. • Sustancias combustibles. • Aluminio, magnesio, titanio, cinc, fósforo rojo, fósforo amarillo, celuloide y otras sustancias químicas, así como también polvo, gas y vapor de estos. <p>Objetos filosos</p> <ul style="list-style-type: none"> • Vidrio, herramientas cortantes, virutas de madera, metal, piedras, clavos, hojas de afeitar, tachuelas, agujas, etc. <p>Elementos que generen burbujas, como detergentes de alfombras</p> <p>Elementos que se solidifiquen y transporten polvo fino (polvo de metal, carbono).</p> <p>Agentes deshumidificadores</p> <p>Una gran cantidad de polvo (harina, ceniza, polvo de un extintor de incendios, etc.).</p> <p>Sustancias que generen síntomas de envenenamiento</p> <p>Medicamentos</p> <p>Basura líquida y mojada</p> <p>Excrementos y vómitos de animales, etc.</p> <p>Residuos de papel grandes, residuos plásticos, hilos</p>	

⚠ ADVERTENCIA	
<p>No utilice el producto en estas condiciones, ya que puede producirse un incendio.</p> <ul style="list-style-type: none"> • Se acumulan grandes volúmenes de combustibles. • La abertura de escape está bloqueada. • La caja recolectora de polvo y el filtro no están colocados. • La basura está atascada en el cepillo principal, que está bloqueado. • El filtro tiene orificios y desgaste. • La batería no está completamente colocada. 	
<p>No produzca cortocircuitos entre los terminales de la sección de fuente de alimentación USB (para reparaciones).</p> <ul style="list-style-type: none"> • Colocar agujas o cables en la sección del terminal USB puede producir cortocircuitos y causar incendios o que salga humo. 	
<p>No mire directamente la luz (haz) del láser.</p> <ul style="list-style-type: none"> • Esto puede producir lesiones en la vista. 	
<p>Este producto cumple con las regulaciones de seguridad correspondientes, por lo que no debe modificar el producto.</p> <ul style="list-style-type: none"> • Realizar reparaciones sin los conocimientos o las habilidades necesarias puede causar un mal rendimiento del láser, accidentes y lesiones. 	
<p>No utilice productos recargables cerca de líneas de alta tensión.</p> <ul style="list-style-type: none"> • Hay riesgos de mal funcionamiento o fallas. 	

⚠ ADVERTENCIA	
<p>Deje de utilizar el producto si no funciona, incluso a pesar de estar encendido.</p> <ul style="list-style-type: none"> • No respetar esta precaución puede producir la emisión de humo o que se generen incendios o descargas eléctricas. 	
<p>Deje de utilizar el producto de inmediato si está deformado o anormalmente caliente.</p> <ul style="list-style-type: none"> • No respetar esta precaución puede producir la emisión de humo o que se generen incendios o descargas eléctricas. 	
<p>Deje de utilizar el producto cuando deje de funcionar durante la operación.</p> <ul style="list-style-type: none"> • No respetar esta precaución puede producir la emisión de humo o que se generen incendios o descargas eléctricas. 	
<p>Deje de utilizar el producto de inmediato si escucha un sonido anormal durante la operación.</p> <ul style="list-style-type: none"> • No respetar esta precaución puede producir la emisión de humo o que se generen incendios o descargas eléctricas. 	
<p>Deje de utilizar el producto de inmediato si huele a quemado.</p> <ul style="list-style-type: none"> • No respetar esta precaución puede producir la emisión de humo o que se generen incendios o descargas eléctricas. 	
<p>Antes de utilizar el producto y realizar su mantenimiento, retire las velas, los jarrones, etc., de las mesas y los estantes.</p> <ul style="list-style-type: none"> • De lo contrario, pueden caerse si el producto impacta con ellos y producir accidentes. 	
<p>Antes de utilizar el producto y realizar su mantenimiento, retire las bandas elásticas y otros elementos que el producto pueda arrastrar.</p> <ul style="list-style-type: none"> • De lo contrario, este producto puede arrastrar la banda elástica u otro elemento y producir accidentes. 	
<p>Antes de utilizar el producto y realizar su mantenimiento, retire los equipos y dispositivos con controlador que se encuentren al mismo nivel que el producto.</p> <ul style="list-style-type: none"> • De lo contrario, este producto puede golpear y pulsar el controlador y, posiblemente, causar incendios, lesiones o accidentes. 	
<p>Antes de utilizar el producto y realizar su mantenimiento, asegúrese de apagar la alimentación del producto y retirar las baterías.</p> <ul style="list-style-type: none"> • De lo contrario, puede producir descargas eléctricas o lesiones. 	
<p>Durante el mantenimiento, procure no pinzarse los dedos.</p> <ul style="list-style-type: none"> • Esto puede producir lesiones. 	
<p>Si tiene un marcapasos cardíaco o un desfibrilador implantable, utilice este producto a más de 15 cm (5-7/8") del lugar del implante.</p> <ul style="list-style-type: none"> • Las ondas de radio pueden afectar la operación del dispositivo médico y producir fallas. 	

⚠ ADVERTENCIA	!
<p>Cuando utilice equipos que emitan ondas de radio en una institución médica, siga las instrucciones de la institución. En las áreas donde esté prohibido el producto, apáguelo.</p> <ul style="list-style-type: none"> De lo contrario, puede producir fallas en los dispositivos médicos. 	

⚠ PRECAUCIÓN	⊘
<p>Durante el uso y el mantenimiento, no coloque objetos extraños en los espacios ni las aberturas.</p> <ul style="list-style-type: none"> Esto puede producir descargas eléctricas, incendio o fallas del producto. 	
<p>No utilice este producto sobre una alfombra de hilo largo (que supere los 7 mm (9/32")) u otras alfombras.</p> <ul style="list-style-type: none"> Esto puede provocar que los cepillos laterales se atasquen y puede dañar la alfombra y los cepillos laterales. 	
<p>No utilice este producto sobre una alfombra delicada (piel de cordero, fieltro, etc.), suelos delicados (un suelo de madera lisa o de mármol, etc.) o suelos recientemente encerados.</p> <ul style="list-style-type: none"> Esto puede producir daños o rayones. Si se producen daños, deje de utilizar el producto. 	
<p>No se pare ni siente sobre la superficie de este producto.</p> <ul style="list-style-type: none"> Esto puede hacer que el producto se mueva repentinamente, se caiga y cause lesiones. 	
<p>No opere este producto durante muchas horas con la abertura de succión bloqueada.</p> <ul style="list-style-type: none"> Esto puede producir deformación o incendio del producto debido a sobrecalentamiento. 	
<p>No coloque la mano ni el pie debajo del producto.</p> <ul style="list-style-type: none"> Corre el riesgo de que los dedos de las manos y los pies queden atorados y se lastime. 	
<p>Deje de utilizar este producto si el filtro está sucio o acumuló polvo.</p> <ul style="list-style-type: none"> Esto puede reducir la potencia de succión. 	
<p>No sostenga este producto con su lado delantero hacia abajo.</p> <ul style="list-style-type: none"> Puede salirse el polvo de la abertura de succión. 	
	

⚠ PRECAUCIÓN	!
<p>Para evitar un mal funcionamiento, asegúrese de que se realice un buen mantenimiento de los sensores.</p> <ul style="list-style-type: none"> Una respuesta incorrecta del sensor puede producir lesiones o fallas debido a un mal funcionamiento o la caída de este producto. 	
<p>Asegúrese de que las borlas largas de los tapetes, alfombras y alfombrillas estén metidas hacia adentro.</p> <ul style="list-style-type: none"> Las borlas pueden atorarse en las ruedas motrices o el cepillo principal y producir daños en la alfombra y este producto. 	
<p>Cuando transporte este producto, primero deje de operarlo y apáguelo. Sostenga el producto firmemente del asa de transporte para que sus manos no queden atoradas.</p> <ul style="list-style-type: none"> Levantar el producto involuntariamente puede producir lesiones o fallas. 	
<p>Guarde los cables y las cuerdas para asegurarse de que no se atasquen en este producto.</p> <ul style="list-style-type: none"> De lo contrario, puede producir fallas o un mal funcionamiento debido al enredo de cables de alimentación. 	
<p>Antes de limpiar, mueva los objetos que se dañen, se caigan o sean succionados con facilidad. Guarde los cables y las cuerdas largas.</p> <ul style="list-style-type: none"> De lo contrario, puede producir daños, rayones o fallas del producto. 	

⚠ PRECAUCIÓN	!
<p>Utilice este producto con el filtro bien colocado. No utilice este producto sin el filtro ni con el filtro mal colocado o desgastado.</p> <ul style="list-style-type: none"> Esto puede producir fallas, como el recalentamiento del motor. Puede salir polvo y ser dañino para la salud. 	
<p>Tenga cuidado de no poner los dedos cuando se abra y cierre la tapa superior del equipo y la tapa superior de la caja recolectora de polvo, al colocar el filtro y al conectar y desconectar la batería.</p> <ul style="list-style-type: none"> Corre el riesgo de que los dedos queden atorados y se lastime. 	

Acerca de la manipulación del equipo

- Utilice este producto en interiores. No limpie un lugar con una gran cantidad de polvo, incluso si está en interiores.
- No limpie un suelo con la superficie dura e irregular. Esto puede hacer que los cepillos y las ruedas se desgasten rápidamente.
- Después de la limpieza, limpie el polvo atascado en el cepillo principal, los cepillos laterales y las ruedas. Si no se limpian, puede dañar la superficie del suelo.
- Coloque siempre el cepillo principal y su tapa cuando utilice este producto.
- No lubrique las piezas móviles en el cepillo principal, etc. Esto puede producir la rotura de las piezas plásticas.
- Para utilizar el equipo sobre una superficie de suelo delicada, se recomienda reemplazar el "cepillo suave principal" y el "cepillo suave lateral", que se venden por separado. No obstante, pueden producirse rayones de acuerdo con las condiciones de la superficie del suelo. En ese caso, deje de utilizar el producto.
- No arrastre el producto. Levante este producto para moverlo.
- No coloque pegatinas ni cinta en los sensores y las ruedas, no deforme el parachoques y las ruedas ni permita que se presione con fuerza el parachoques. Esto puede producir un mal funcionamiento.
- Si se aspira polvo fino (como yeso, cemento y tiza), limpie el filtro, el sensor de precipicio y el sensor LiDAR.
- No permita que este producto aspire estos elementos, que pueden producir rayones en el interior del producto, obstrucciones por el polvo o fallos. Si se aspira alguno de estos elementos de manera accidental, deje de utilizar el producto y descarte el polvo.
 - Residuos mojados (residuos húmedos y líquidos).
 - Excremento de animales, etc.
 - Grandes volúmenes de arena y polvo.
 - Cuerdas.
 - Objetos filosos (vidrio, herramientas de corte, tachuelas, etc.).
 - Residuos de gran tamaño.
 - Objetos con poca permeabilidad al aire (envolturas plásticas de alimentos, vinilos, plástico para envolver, etc.).
- Si el cepillo inferior de la abertura de succión, las ruedas, las ruedas motrices o la pieza rodante de la tapa del cepillo principal se desgastan, deje de utilizar este producto y consulte a la tienda donde lo adquirió o nuestra oficina de ventas. Utilizar el robot limpiador con piezas desgastadas puede dañar la superficie del suelo.
- Durante su operación, pueden producirse ruidos en la pantalla de la TV, pero esto no afectará a la TV en sí.
- Tenga cuidado al operar este producto en un lugar donde haya un sistema de seguridad. El sistema de seguridad puede detectar erróneamente al producto como un intruso.
- Procure no realizar estas acciones.
 - No utilizar el equipo durante un período prolongado con la batería instalada.
 - Utilizar el equipo con el sensor sucio o el filtro obstruido.
 - Utilizar el producto cuando note un error de la batería (hay un olor extraño, tiene fugas de líquidos, se calienta, está deformado o se producen otras anomalías).
 - Utilizar el equipo sin limpiar el polvo de arena y otras materias extrañas atoradas en el cepillo principal, los cepillos laterales y las ruedas.
 - Utilizar el equipo con algunos componentes desgastados.
 - Utilizar el equipo sin leer el manual de usuario.
 - Voltear el producto y realizar el mantenimiento con la batería instalada.
 - Utilizar el producto sin realizar el mantenimiento de la línea de demarcación magnética.

Uso y cuidado del cartucho de batería

⚠ ADVERTENCIA
<p>Lea todas las instrucciones y advertencias de seguridad. No seguir las instrucciones y advertencias puede producir descargas eléctricas, incendios o lesiones graves.</p>

1. Recargue únicamente con el cargador que especifica el fabricante. Un cargador adecuado para un tipo de cartucho de batería puede producir riesgos de incendio si se utiliza con otro tipo de cartucho de batería.
2. Utilice los aparatos solo con los cartuchos de batería específicamente diseñados. El uso de cualquier otro cartucho de batería puede producir lesiones e incendios.
3. Cuando no utilice el cartucho de batería, almacénelo lejos de objetos metálicos, como sujetapapeles, monedas, llaves, clavos, tornillos y otros objetos metálicos pequeños, que puedan conectar un terminal con otro. Provocar un cortocircuito en los terminales de la batería puede causar quemaduras o incendios.
4. En condiciones de uso demasiado intenso, puede salir líquido de la batería; evite tocarlo. Si toca el líquido, enjuáguese con agua. Si el líquido entra en contacto con los ojos, busque atención médica. El líquido de la batería puede provocar irritación o quemaduras.
5. No utilice una herramienta ni un cartucho de batería dañado o modificado. Las baterías dañadas o modificadas pueden tener un funcionamiento impredecible y provocar incendios, explosiones o lesiones.
6. No exponga la herramienta ni el cartucho de batería al fuego o temperaturas muy altas. La exposición al fuego o temperaturas por encima de los 130 °C (265 °F) puede producir explosiones.
7. Siga las instrucciones de carga y procure no cargar la herramienta o el cartucho de batería fuera del rango de temperatura especificado en las instrucciones. La carga inadecuada o a temperaturas fuera del rango especificado puede dañar la batería y aumentar el riesgo de incendio.
8. Procure que una persona calificada en reparaciones realice el mantenimiento únicamente con repuestos idénticos. Esto garantizará que se mantenga la seguridad del producto.
9. No modifique ni intente reparar el aparato o el cartucho de batería de manera distinta de lo indicado en las instrucciones de uso y cuidado.
10. Evite el encendido accidental. Asegúrese de que el interruptor esté en la posición de apagado antes de conectar el dispositivo al cartucho de batería o de levantar o transportar el robot limpiador. Sostener el robot limpiador con el dedo en el interruptor o activar el robot limpiador con el interruptor en la posición de encendido puede causar accidentes.
11. Desconecte el cartucho de batería del robot limpiador antes de realizar ajustes, cambiar accesorios o almacenar el robot limpiador. Estas medidas preventivas de seguridad reducen el riesgo de activar accidentalmente el robot limpiador.
12. El cartucho de batería no se envía de fábrica con una carga completa. Cargue la batería antes de utilizarla.
13. Cuando no utilice el cartucho de batería, almacénelo con la tapa colocada.

Instrucciones de seguridad importantes para el cartucho de batería

1. Antes de utilizar el cartucho de batería, lea todas las instrucciones y señales de precaución del (1) cargador de la batería, (2) cartucho de batería y (3) productos que funcionan a batería.
2. No desmonte ni modifique el cartucho de batería. Puede producir incendio, calor en exceso o explosiones.
3. Si el tiempo de operación es excesivamente más corto, detenga de inmediato el dispositivo. Puede producir sobrecalentamiento, posibles quemaduras o incluso explosiones.
4. Si los electrolitos entran en contacto con sus ojos, enjuáguelos con agua limpia y busque atención médica de inmediato. Puede perder la vista.
5. No provoque cortocircuitos en el cartucho de batería:
 - (1) No toque los terminales con material conductor.
 - (2) Evite almacenar el cartucho de batería en un recipiente con otros objetos metálicos, como clavos, monedas, etc.
 - (3) No exponga el cartucho de batería al agua o la lluvia. Un cortocircuito en la batería puede producir un gran flujo de corriente, sobrecalentamiento, posibles quemaduras e incluso una avería.
6. No almacene ni utilice la herramienta y el cartucho de batería en lugares donde la temperatura alcance o supere los 50 °C (122 °F).
7. No incinere el cartucho de batería, incluso si está muy dañado o completamente desgastado. El cartucho de batería puede explotar en un incendio.
8. No clave, corte, aplaste, arroje tire ni golpee el cartucho de batería contra un objeto duro. Puede producir incendio, calor en exceso o explosiones.
9. No utilice una batería dañada.
10. Las baterías de iones de litio están sujetas a los requisitos de la Legislación de productos peligrosos. Para los transportes comerciales, como terceros o transportistas, se requiere respetar los requisitos especiales de embalaje y etiquetado.

Para preparar el producto para envío, se debe consultar a un experto en materiales peligrosos. Posiblemente deba respetar regulaciones nacionales más detalladas.

Coloque cinta o tape los contactos abiertos y embale la batería de forma tal que no se mueva en el embalaje.
11. Al desechar el cartucho de batería, retírelo de la herramienta y deséchelo en un lugar seguro. Respete las regulaciones locales sobre el desecho de baterías.

12. Utilice las baterías únicamente con los productos especificados por Makita. Instalar las baterías en productos que no cumplan con las normas puede provocar incendios, calor en exceso, explosiones o fuga de electrolitos.
13. Si la herramienta no se utiliza durante un período prolongado, debe retirarle la batería.
14. Durante el uso y después, el cartucho de batería puede calentarse y causar quemaduras regulares o a baja temperatura. Preste atención al manipular los cartuchos de batería calientes.
15. No toque el terminal de la herramienta inmediatamente después del uso, ya que puede calentarse y causar quemaduras.
16. No deje que ingresen virutas, polvo ni suciedad en los terminales, orificios y ranuras del cartucho de batería. Puede reducir el rendimiento o averiar la herramienta o el cartucho de batería.
17. A menos que la herramienta sea compatible con las líneas de alta tensión, no utilice el cartucho de batería cerca de líneas de alta tensión. Puede producir un mal funcionamiento o averiar la herramienta o el cartucho de batería.
18. Mantenga la batería lejos del alcance de los niños.

GUARDE ESTAS INSTRUCCIONES.

⚠ PRECAUCIÓN

Utilice únicamente baterías originales de Makita. El uso de baterías que no sean originales o baterías alteradas puede causar la explosión de la batería e incendios, lesiones personales y daños. Asimismo, anulará la garantía de Makita para la herramienta y el cargador de Makita.

Consejos para mantener una vida útil máxima de la batería

1. Cargue el cartucho de batería antes de que se descargue por completo. Siempre detenga la operación de la herramienta y cargue el cartucho de batería cuando note que la potencia de la herramienta disminuye.
2. Nunca recargue un cartucho de batería completamente cargado. La sobrecarga reduce la vida útil de la batería.
3. Cargue el cartucho de batería a una temperatura ambiente de 10 °C a 40 °C (50 °F - 104 °F). Deje que el cartucho de batería se enfríe antes de cargarlo.
4. Cuando no utilice el cartucho de batería, retírelo de la herramienta o el cargador.
5. Cargue el cartucho de batería si no lo utiliza durante un período prolongado (más de seis meses).

Para pilas de botón o moneda

Este producto contiene pilas de botón o moneda no reemplazables.
Tipo de pila: MS621FE. Tensión nominal: 3 V

⚠ ADVERTENCIA

- **PELIGRO DE INGESTIÓN:** Este producto contiene una pila de botón o moneda.
- En caso de ingerirla, podría provocar la **MUERTE** o lesiones graves.
- Una pila de botón o moneda que se haya ingerido puede producir **quemaduras químicas internas** en tan solo **2 horas**.
- **MANTENGA** las baterías nuevas y usadas **FUERA DEL ALCANCE DE LOS NIÑOS**.
- **Busque atención médica de inmediato** si sospecha que una pila puede haberse ingerido o introducido en cualquier parte del cuerpo.



1. Retire e inmediatamente recicle o deseche las pilas gastadas según la normativa local y manténgalas fuera del alcance de los niños. NO tire las pilas a la basura doméstica ni las incinere.
2. Incluso las pilas gastadas pueden causar lesiones graves o la muerte.
3. Llame a un centro toxicológico local para obtener información sobre el tratamiento.
4. Las pilas no recargables no se deben recargar.
5. No forzar la descarga, recarga ni extracción; no calentar por encima de 50 °C (122 °F) ni incinerar. De lo contrario pueden producirse lesiones debido a emisiones, fugas o explosiones que provoquen quemaduras químicas.

Precauciones con respecto a las ondas de radio

- No utilice este producto en los siguientes lugares.
 - Sobre equipos médicos o cerca de ellos
 - Cerca de dispositivos electrónicos con señales leves o controles de alta precisión (estos son algunos ejemplos de dispositivos electrónicos que requieren precaución: audífonos, marcapasos y otros equipos médicos, alarmas de incendio, puertas automáticas y otros equipos de control automáticos)
 - Dentro de un hospital o avión (siga las instrucciones del hospital o de la aerolínea y no utilice el producto en áreas prohibidas)
- No se puede garantizar la conexión inalámbrica ni el rendimiento en cualquier entorno. Las ondas de radio pueden no recibirse o verse interrumpidas en los siguientes casos.
 - Si se utiliza en edificios construidos con concreto, barras de acero y metal
 - Si se instala cerca de obstáculos
 - Si se utiliza en lugares en los que se producen interferencias con dispositivos de comunicación inalámbrica que usan la misma frecuencia
 - Si se utiliza en lugares con equipos que producen campos magnéticos, electricidad estática o interferencias de radio, como hornos microondas

Marcas comerciales y marcas registradas

Aviso de marcas comerciales

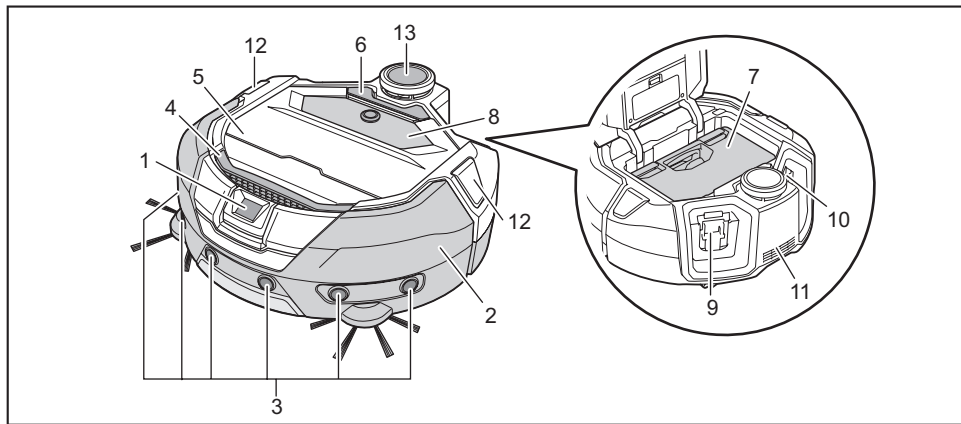
- Android y Google Play son marcas comerciales o marcas registradas de Google LLC.
- iPhone es una marca comercial de Apple Inc. registrada en EE. UU. y otros países.
- La marca comercial iPhone se utiliza con licencia de Aiphone Co., Ltd.
- App Store es una marca de servicio de Apple Inc.
- Wi-Fi es una marca comercial registrada de Wi-Fi Alliance.
- La marca Bluetooth® y su logotipo son marcas comerciales registradas que pertenecen a Bluetooth SIG, Inc. Makita utiliza dichas marcas con licencia Makita. Las demás marcas registradas y denominaciones comerciales pertenecen a sus respectivos propietarios.



- Todas las demás marcas comerciales en este documento pertenecen a sus respectivos propietarios.
Tenga en cuenta que las marcas ™ y ® se omiten en parte del texto principal.

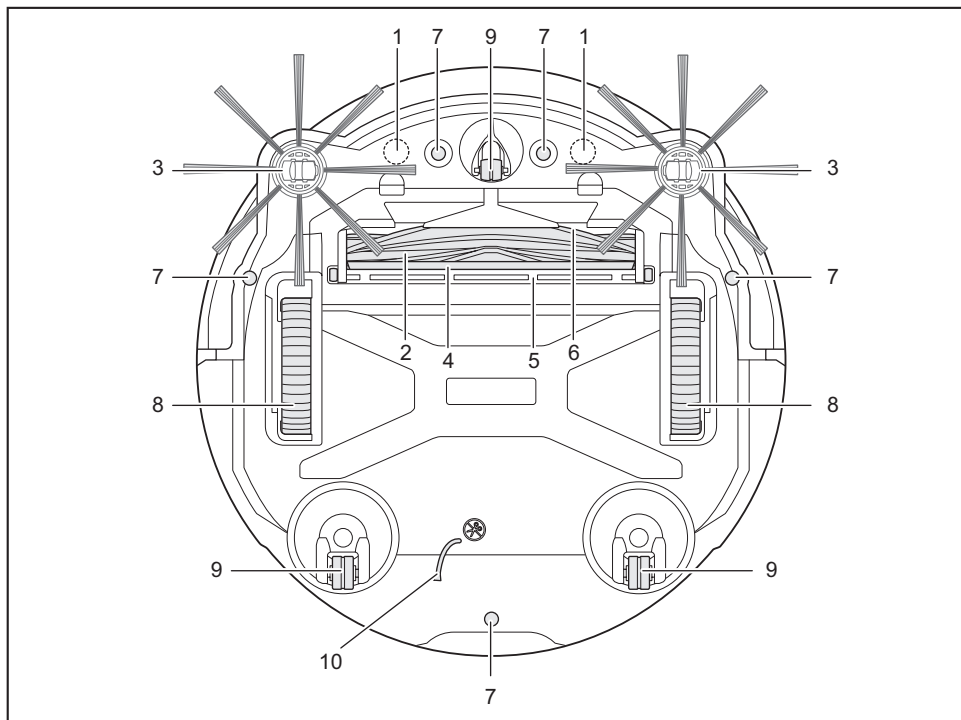
Nombres de las piezas

Unidad principal (vista superior, vista lateral, interior)



- | | |
|---|---|
| 1. Sensor de la cámara | 8. Panel de operaciones (pantalla) (consulte la página 10). |
| 2. Parachoques | 9. Ranura de inserción de la batería izquierda |
| 3. Sensor ultrasónico | 10. Ranura de inserción de la batería derecha |
| 4. Asa de transporte (consulte la página 11). | 11. Abertura de escape |
| 5. Tapa superior | 12. LED de posición |
| 6. Botón de apertura | 13. Sensor LiDAR |
| 7. Caja recolectora de polvo (consulte la página 14). | |

Unidad principal (vista inferior)



- | | |
|--|------------------------------|
| 1. Sensor de imán para la detección de demarcación (integrado) | 6. Abertura de succión |
| 2. Cepillo principal | 7. Sensor de precipicio |
| 3. Cepillo lateral | 8. Rueda motriz |
| 4. Cepillo inferior | 9. Rueda |
| 5. Tapa del cepillo principal | 10. Línea de puesta a tierra |

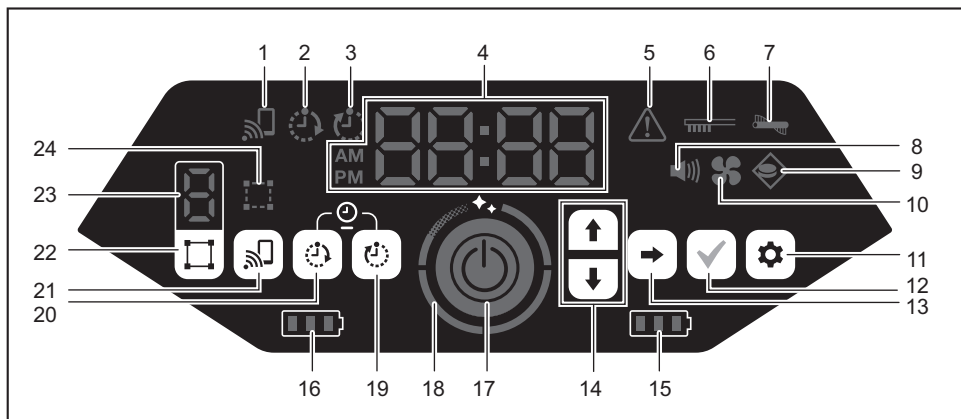
AVISO

- La línea de puesta a tierra reduce la carga eléctrica del sensor.



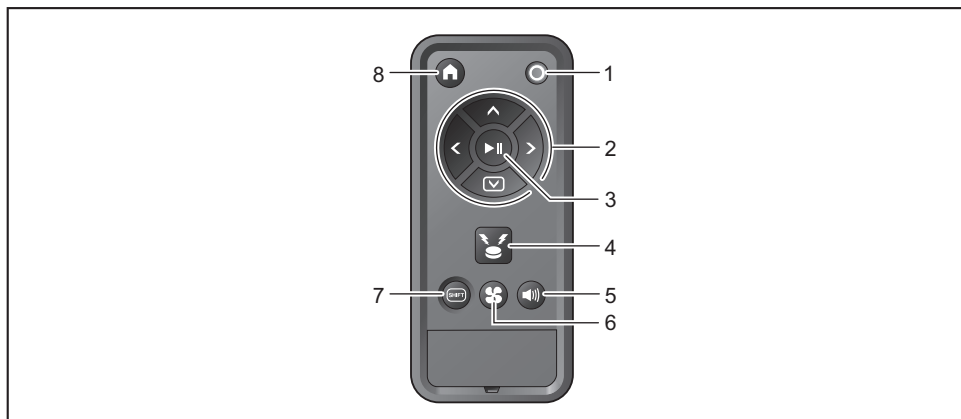
: No tire ni corte accidentalmente la línea de puesta a tierra.

Unidad principal (panel de operaciones (pantalla))



- | | |
|---|---|
| 1. Lámpara de conexión con smartphone (verde) | 13. Botón siguiente |
| 2. Lámpara de encendido del temporizador (verde) (consulte la página 20). | 14. Botón arriba, botón abajo |
| 3. Lámpara de apagado del temporizador (verde) (consulte la página 20). | 15. Lámpara de carga de la batería derecha (verde) (consulte la página 16). |
| 4. Indicador de tiempo (verde) | 16. Lámpara de carga de la batería izquierda (verde) (consulte la página 16). |
| 5. Lámpara de error (roja) (consulte la página 29). | 17. Botón de inicio/parada (consulte la página 16). |
| 6. Lámpara de mantenimiento del filtro (roja) (consulte la página 29). | 18. Lámpara del nivel de limpieza (blanca) (consulte la página 18). |
| 7. Lámpara de error del cepillo (roja) (consulte la página 29). | 19. Botón de apagado del temporizador (consulte la página 20). |
| 8. Lámpara de sonido (verde) (consulte la página 23). | 20. Botón de encendido del temporizador (consulte la página 19). |
| 9. Lámpara de detección de demarcación (verde) (consulte la página 21). | 21. Botón de conexión con smartphone |
| 10. Lámpara del ventilador extractor (verde) (consulte la página 19). | 22. Botón de cambio de modo (consulte la página 17). |
| 11. Botón de ajuste | 23. Pantalla del número de modo/habitación (consulte la página 17). |
| 12. Botón de confirmación | 24. Lámpara de registro de habitación (verde) (consulte la página 17). |

Mando a distancia

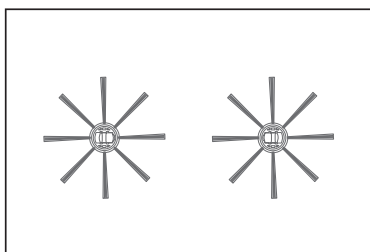


- | | |
|--|--|
| 1. Botón de apagado | 5. Botón de activación/desactivación del sonido |
| 2. Botones de acción | 6. Botón de encendido/apagado del ventilador extractor |
| 3. Botón de inicio/parada | 7. Botón de cambio |
| 4. Botón de zumbador/luz de baliza de localización | 8. Botón de punto de inicio |

Accesorios estándar

- Cepillos laterales (cuatro)

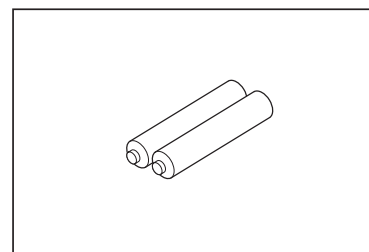
Se incluyen dos de repuesto. Coloque dos en el robot limpiador. (Consulte la página 14).



- Mando a distancia



- Baterías AAA secas (dos) * Especifico del país
Coloque las baterías en el mando a distancia. (Consulte la página 14).



Preparación antes de la limpieza

Acerca del transporte del robot limpiador

⚠ PRECAUCIÓN

Cuando transporte el robot limpiador, deje de utilizar el producto, apáguelo y sostenga el producto firmemente del asa de transporte para que sus manos no queden atoradas.

- De lo contrario, puede pinzarse la mano con el asa.

Mantenga un nivel adecuado de equilibrio y apoyo en todo momento al levantar el robot limpiador.

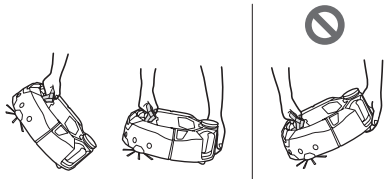
- De lo contrario, producir fallas o lesiones.

No levante el robot limpiador de manera descuidada.

- Esto puede producir fallas o lesiones.

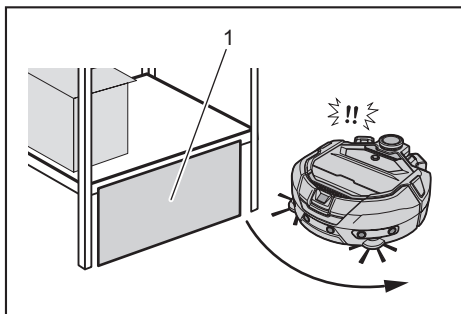
No sostenga el robot limpiador con su lado delantero hacia abajo.

- Puede salirse el polvo de la abertura de succión.



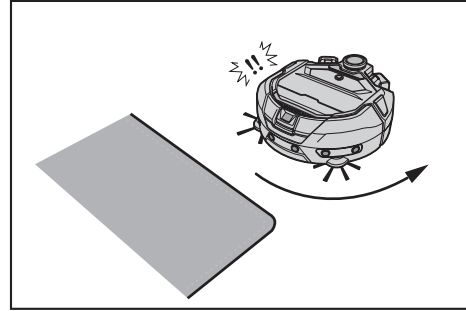
Acerca de la limpieza con el robot limpiador

- El robot limpiador utiliza el sensor LiDAR y el sensor ultrasónico para detectar y evitar los obstáculos en su recorrido. Recoge y aspira polvo con los cepillos laterales y el cepillo lateral. Es posible que no reconozca un obstáculo de acuerdo con las condiciones. Cuando impacta contra un obstáculo, el parachoques detecta el contacto y evita el obstáculo.
- El robot limpiador puede subir un escalón de hasta 2,0 cm (13/16"). Si mide menos de 2,0 cm (13/16"), es posible que el robot limpiador no suba de acuerdo con las condiciones, como la forma del escalón.
- En una pendiente o un lugar irregular, la superficie inferior del robot limpiador puede atascarse y la rueda motriz puede levantarse, lo que hará que el robot limpiador se detenga debido a un error. Si el robot limpiador se detiene con frecuencia, no permita que ingrese a ese lugar. (Consulte la página 21).
- Cuando haya un obstáculo cerca de una pared, el robot limpiador puede impactar contra la pared al intentar evitar el obstáculo.
- Es posible que el sensor LiDAR no reconozca obstáculos con las siguientes características, lo que puede hacer que el robot realice un mapeo impreciso o que choque con obstáculos.
 - Obstáculos altamente reflectantes como espejos
 - Obstáculos altamente transparentes como vidrio
 - Obstáculos hechos de un material negro brillante
 - Obstáculos finos o como las patas de una silla o de un escritorio
- Cuando el robot limpiador ingresa a un espacio estrecho con una altura menor a su dimensión, puede quedar atascado. En ese caso, coloque una pantalla u otro elemento.



- 1. Bloquee el espacio con una pantalla u otro elemento.

- Es posible que el robot limpiador determine que un suelo negro, un suelo transparente como uno de vidrio o las áreas negras de la veta en un suelo de madera son escalones, por lo que intentará evitarlos.



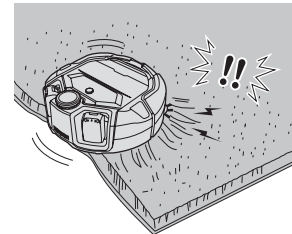
- El robot limpiador no podrá aspirar polvo en las áreas alrededor de un escalón que pueda subir, un espacio estrecho o recóndito al que el robot limpiador no pueda acceder o un lugar al que no lleguen los cepillos laterales.
- El robot limpiador puede expulsar objetos duros y pequeños, como piedras pequeñas.
- El robot limpiador puede subir un escalón accidentalmente si hay un objeto que lo ayude a subir (por ejemplo, una tabla o alfombra). Mantenga estos objetos lejos de los escalones.

⚠ PRECAUCIÓN

No utilice el robot limpiador en estos lugares.

- No utilice el robot limpiador en lugares como alfombras con hilos de más de 7 mm (9/32") de alto, tapetes con hilos que se salgan fácilmente o alfombras desniveladas.

En ese tipo de alfombras, el robot limpiador puede dejar de funcionar, los hilos pueden atascarse en los cepillos o tanto la alfombra como los cepillos laterales pueden dañarse. Si el robot limpiador no puede recorrer sin problemas la alfombra, evite utilizarlo en esa superficie.



- No utilice el robot limpiador sobre colchones, mantas, cojines de suelo, etc.
- No utilice el robot limpiador en áreas mojadas, baños, áticos, al aire libre, etc.
- No utilice el robot limpiador en lugares mojados, lugares que puedan mojarse o lugares calurosos y húmedos.

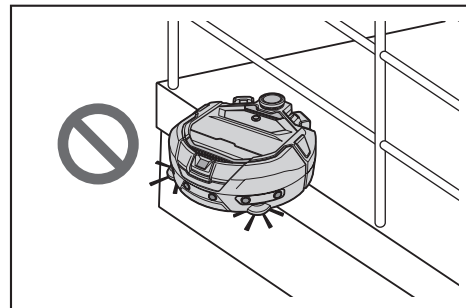
Para evitar que el robot limpiador se caiga

⚠ ADVERTENCIA

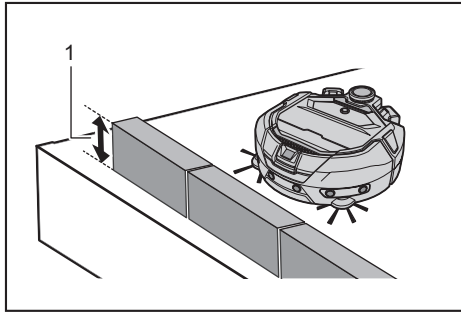
Asegúrese de que el robot limpiador no se caiga.

- Si se cae, puede producir roturas o lesiones.

- Evite utilizar el robot limpiador en entresuelos, altillos, escaleras, lugares sin paredes o lugares con una inclinación de 10° o más.

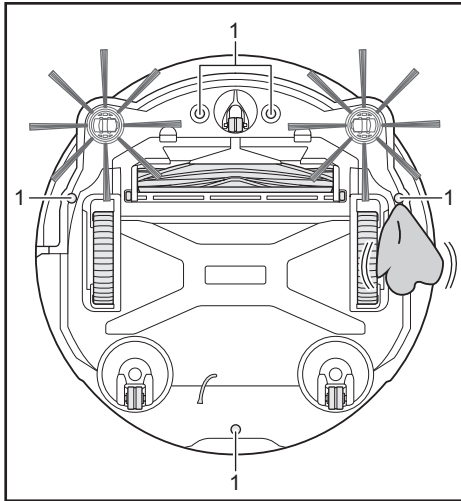


- En un lugar donde puedan producirse accidentes o situaciones peligrosas debido a la caída del robot limpiador, coloque un objeto con 25 cm (9-7/8") de altura o más que sirva como pared (objeto que no se mueva ni vuelque ante el impacto del robot limpiador).



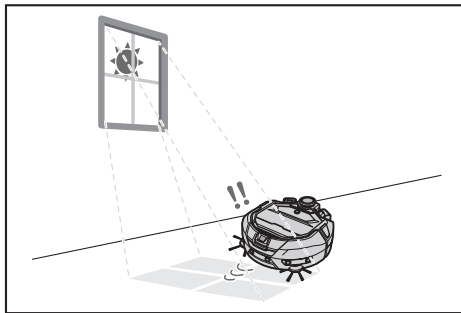
- ▶ 1. Altura de 25 cm (9-7/8") o superior

- Si hay suciedad o gotas de agua debido a condensación en el sensor de precipicio en la parte inferior del robot limpiador, límpielo con un paño seco y suave, un hisopo, etc.

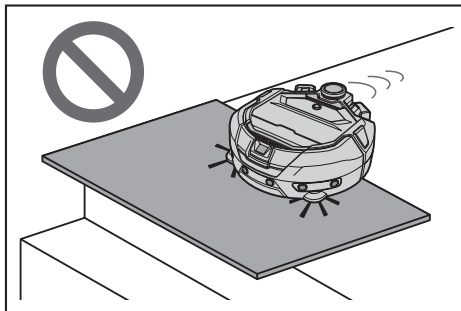


- ▶ 1. Sensor de precipicio (cinco ubicaciones)

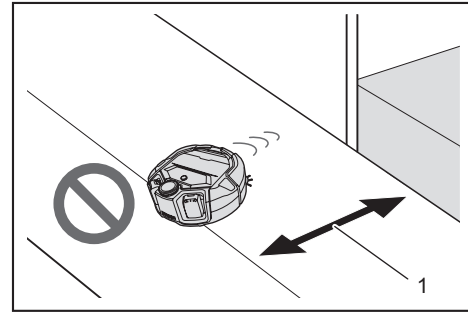
- Es posible que el robot limpiador no funcione adecuadamente si se expone a la luz natural o la luz infrarroja de otro equipo. Asegúrese de que el robot limpiador no quede expuesto a la luz infrarroja de un calefactor de halógeno, un mando a distancia, un sensor y otros equipos, ni de la luz natural que ingrese por vidrio esmerilado, etc.



- No lo utilice cuando haya objetos como alfombras, tapetes o placas cerca de un escalón. Si hay algún objeto como una alfombra, tapete o placa cubriendo un escalón el sensor de precipicio podría no reconocer el escalón correctamente.

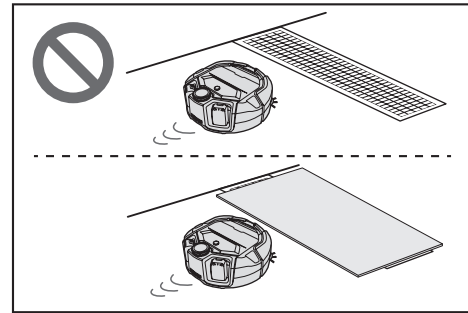


- En los lugares donde la distancia entre la pared y el escalón sea de menos de 1 m (3,28 pies), el robot limpiador puede caerse al retroceder. No utilice el robot limpiador cuando la distancia entre la pared y el escalón sea de menos de 1 m (3,28 pies).



- ▶ 1. Menos de 1 m (3,28 pies)

- Cuando haya una tapa o rejilla de drenaje, el sensor de precipicio puede reconocerla como un escalón y es posible que el robot limpiador no pase por encima. Si debe pasar por encima de la tapa o rejilla, cúbrala con una placa u otro elemento.



- Es posible que el sensor de precipicio no reconozca como escalón a uno que mida 3,0 cm (1-3/16") o menos; en consecuencia, el robot limpiador puede bajar el escalón al desplazarse en línea recta. Cuando haya un escalón de 2,0 a 3,0 cm (13/16" a 1-3/16"), evite utilizar el robot limpiador.
- Cierre las puertas deslizantes, pantallas o ventanas, ya que es posible que los sensores del parachoques no reconozcan como escalón la diferencia de nivel de sus marcos o carriles.
- No utilice el robot limpiador sobre una superficie de suelo que pueda romperse, como de vidrio.

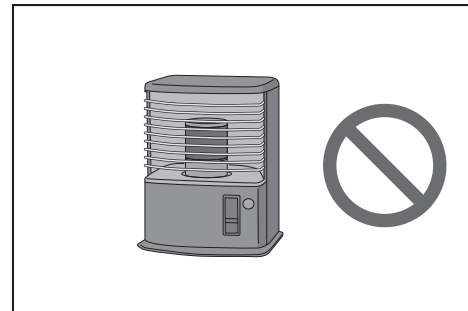
Organización del lugar para la limpieza

⚠ ADVERTENCIA

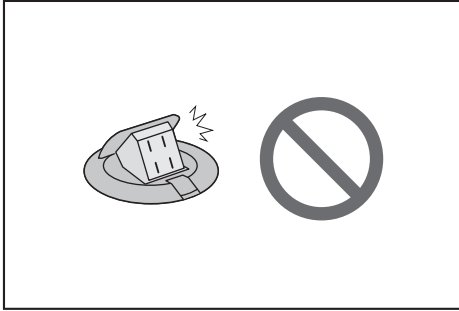
Retire los objetos que puedan producir daños o accidentes cuando el robot limpiador impacte con ellos.
Retire los objetos que no sean aspirados, que impidan el movimiento del robot limpiador y que probablemente se atasquen en el cepillo principal, las ruedas y los cepillos laterales.

- Si deja un objeto que obstruirá el movimiento del robot limpiador durante la limpieza, puede producir accidentes o lesiones.

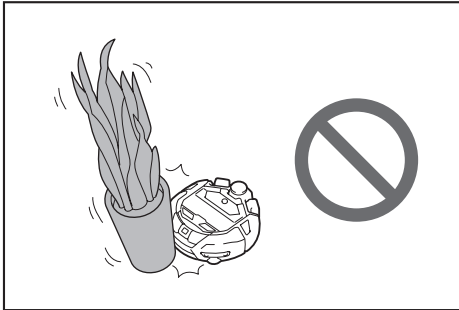
- No utilice el robot limpiador cerca de objetos que se calienten, como calefactores o calvoventores. Esto puede producir accidentes, incendio o fallas. (No utilice el calefactor cuando utilice el robot limpiador).



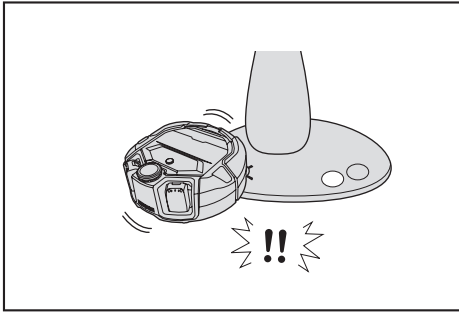
- No utilice el robot limpiador en un lugar equipado con un tomacorriente retráctil. El tomacorriente retráctil siempre debe estar retraído.



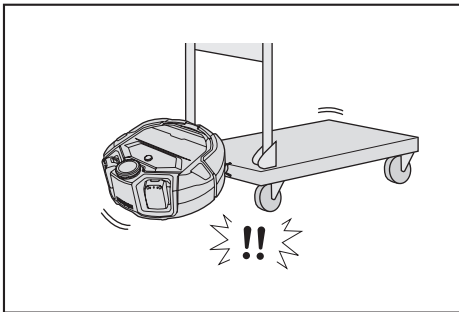
- Para el caso de paredes hechas con materiales frágiles (por ejemplo, una pared de barro, una puerta deslizante o decorada, o una pantalla plegable), coloque delante de ellos objetos que funcionen como una pared para que no se dañen.
- No lo utilice en lugares en los que haya objetos inestables o que puedan caerse con facilidad. Debe llevar a otra habitación los objetos inestables y que puedan caerse con facilidad.



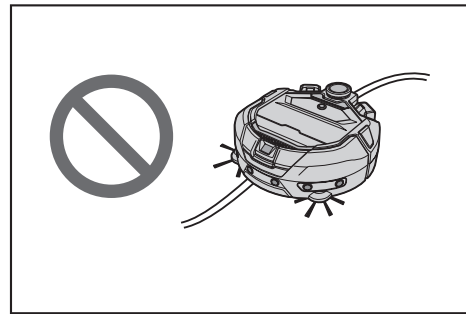
- Traslade los equipos y dispositivos con controlador ubicados en el mismo nivel que el robot limpiador.



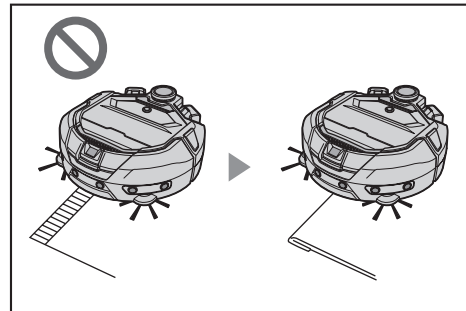
- Aleje las velas encendidas y los objetos que se rompan fácilmente.
- Para el caso de objetos con ruedas, como un camión y una silla de ruedas, y sillas ligeras que se muevan con facilidad, bloquee las ruedas y retire esos elementos.



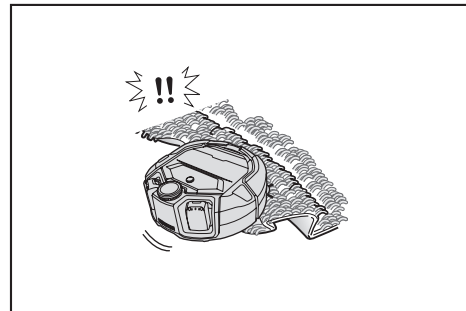
- No lo utilice cerca de cables sueltos que puedan atorarse o enredarse. Asegúrese de que los cables de alimentación se ordenen a lo largo de la pared para que el robot limpiador no se atasque con ellos.



- Retire los objetos largos y delgados, como cables y correas.
- Retire los productos pequeños que puedan aspirarse con facilidad y los bienes valiosos.
- Retire los objetos que bloqueen el paso del robot limpiador, como una mesa de trabajo, sillas, herramientas y platos.
- Si el robot limpiador aspira excremento de animales u otros residuos líquidos, puede funcionar mal. Límpielo.
- Asegúrese de que las borlas de la alfombra u otras telas estén metidas hacia adentro.



- Levante el dobladillo de una cortina, etc., que cuelgue sobre el suelo. El dobladillo puede atascarse en el cepillo principal, etc.
- Retire las alfombras delgadas y resbalosas, como los tapetes y las alfombrillas. Tanto las alfombras como los cepillos laterales pueden dañarse.



- Retire los papeles y paños delgados, las bolsas plásticas, etc.
- Cierre las puertas de lugares que se comuniquen con el exterior para evitar que el robot limpiador salga al exterior. Si las puertas no pueden cerrarse, no utilice el robot limpiador. Además, cierre las puertas de las habitaciones a las que no deba ingresar el robot limpiador.
- Es posible que el robot limpiador no funcione adecuadamente sobre una superficie de suelo resbalosa. Compruebe la condición del suelo antes de utilizar el equipo.
- Asegúrese de que haya un camino de 80 cm (31-1/2") o más para limpiar.

Preparación para su uso


Instalación de los cepillos laterales

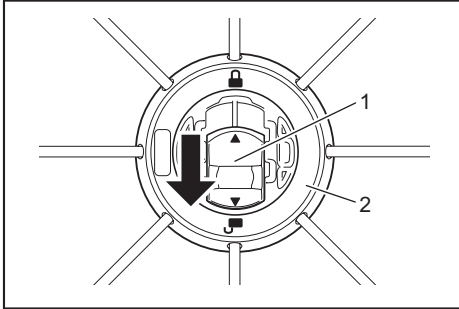
⚠ ADVERTENCIA

Antes de colocar los cepillos laterales, asegúrese de retirar las baterías del robot limpiador.

- Si queda una batería colocada en el robot limpiador, pueden producirse descargas eléctricas o lesiones.

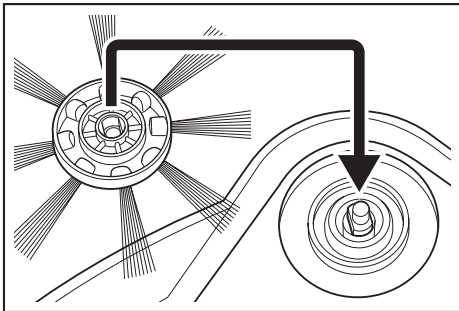
Al instalar los cepillos laterales, coloque un tapete u otro elemento similar para apoyar el robot limpiador y no dañar la superficie del suelo.


1. Coloque el robot limpiador boca abajo.
2. Deslice la palanca de bloqueo del cepillo lateral a la posición  (marca de liberación).



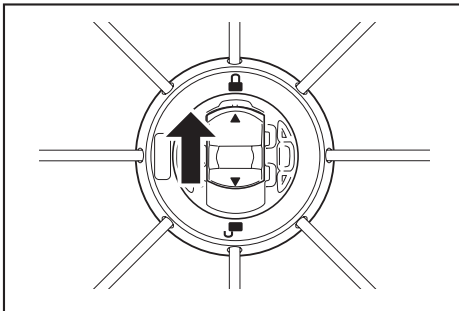
- 1. Palanca de bloqueo 2. Cepillo lateral

3. Instale el cepillo lateral de forma tal que el eje en la superficie inferior del robot limpiador encaje con la forma del orificio del cepillo lateral.



4. Empuje la palanca de bloqueo del cepillo lateral hacia la posición  (marca de bloqueo) hasta escuchar un clic. (Empuje como corresponde hasta el punto que se muestra en el dibujo).

 - Después de la instalación, levante el cepillo lateral ligeramente para corroborar que no se salga del robot limpiador.
 - Instale dos cepillos laterales, uno a la izquierda y otro a la derecha.

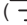


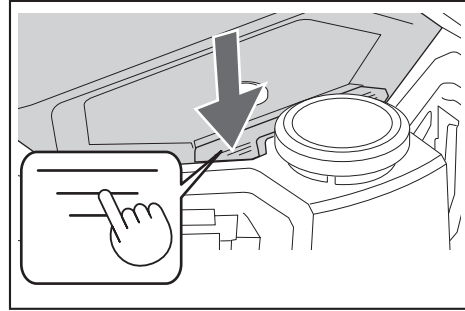
Desembalaje de la caja recolectora de polvo

⚠ ADVERTENCIA

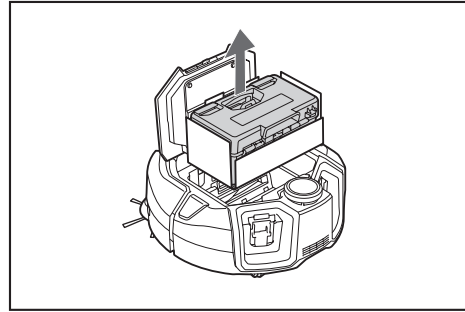
Asegúrese de que el robot limpiador no tenga baterías colocadas antes de abrir la tapa superior.

- Si queda una batería colocada en el robot limpiador, pueden producirse descargas eléctricas o lesiones.

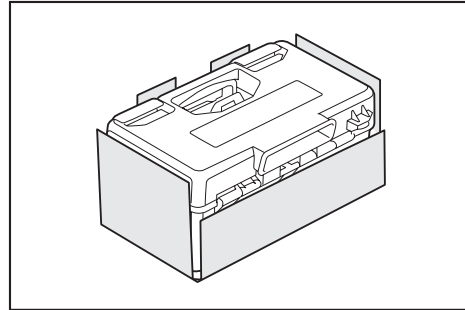
1. Pulse el botón de apertura () para abrir la tapa superior. Tenga cuidado, ya que la tapa superior se abre rápidamente.



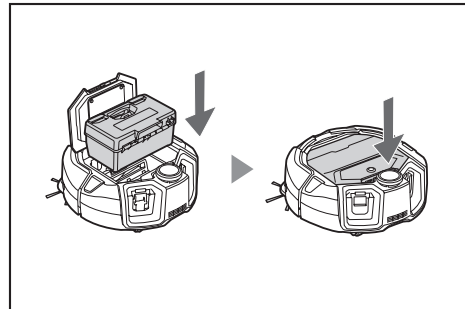
2. Retire la caja recolectora de polvo.




3. Retire el material de relleno.

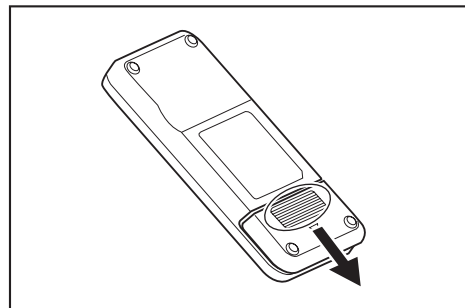


4. Vuelva a colocar la caja recolectora de polvo en el robot limpiador y presione la tapa superior hasta que se cierre con un clic. Cuando cierre la tapa superior, procure no pinzarse los dedos.

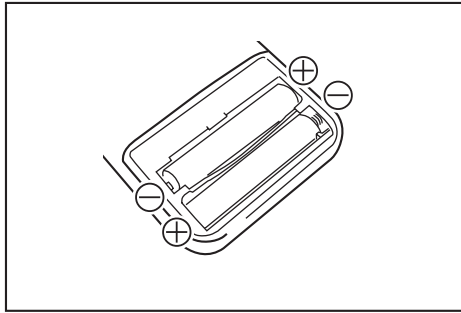


Instalación de baterías en el mando a distancia

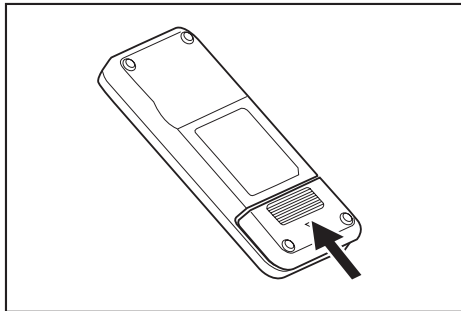
1. Al pulsar  en la tapa del mando a distancia, deslice la tapa en el sentido que muestra la flecha y retírela.



2. Coloque las baterías en la dirección correcta.



3. Coloque la tapa.

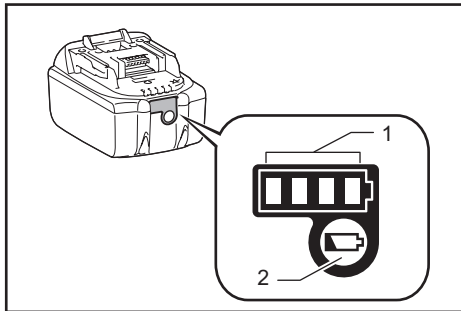


AVISO

- Asegúrese de alinear correctamente la polaridad de las baterías.
- Necesita dos baterías AAA secas. Las dos baterías deben ser nuevas y del mismo tipo.
- Retire las baterías cuando no las utilice durante un período prolongado para evitar fallas debido a fugas de líquidos y roturas.
- Si la solución de la batería entra en contacto con sus ojos, piel o prendas de vestir, lávese de inmediato con agua limpia.
- No golpee el mando a distancia ni deje que se moje con agua. No lo coloque en un lugar bajo luz natural directa ni cerca de un calefactor, etc. Esto puede producir fallas.

Indicación de la capacidad de batería restante

Solo para los cartuchos de batería con el indicador



► 1. Lámparas de indicación 2. Botón de comprobación

Pulse el botón de comprobación en el cartucho de batería para indicar la capacidad de batería restante. Las lámparas de indicación se encienden durante unos segundos.

Lámparas de indicación			Capacidad restante
Encendido	Apagado	Parpadeo	
■	■	■	75 % a 100 %
■	■	□	50 % a 75 %
■	□	□	25 % a 50 %
■	□	□	0 % a 25 %
▬	□	□	Cargue la batería.
■	■	□	Es posible que la batería funcione mal.

AVISO

- De acuerdo con las condiciones de uso y la temperatura ambiente, la indicación puede variar ligeramente de la capacidad real.
- La primera lámpara de indicación (a la izquierda) parpadeará cuando el sistema de protección de baterías funcione.

Instalación y extracción de baterías (se venden por separado)

- El robot limpiador funciona incluso con una sola batería.
- Con dos baterías, puede funcionar durante un período prolongado.

Instalación

⚠ ADVERTENCIA

La batería debe colocarse con firmeza y hasta el tope. Cuando se vea la parte roja de la sección superior del botón, indicará que la colocación no está completa. Coloque la batería por completo hasta que no pueda ver la parte roja.

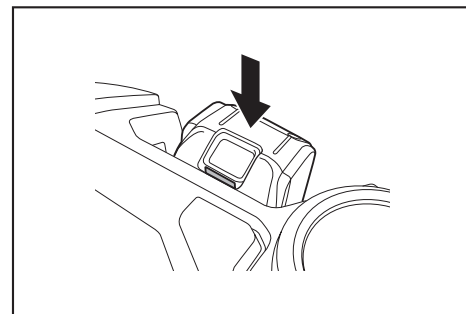
- Si no coloca bien la batería, puede salirse y producir accidentes o fallas.

No instale el cartucho de batería a la fuerza.

- Si el cartucho no se desliza con facilidad, no lo está colocando correctamente.

Sostenga la herramienta y el cartucho de batería con firmeza al instalar el cartucho de batería.

Coloque una batería con firmeza a lo largo de la ranura del robot limpiador, hasta el tope. Cuando la batería quede colocada por completo, escuchará un clic.



AVISO

Cuando instale una batería, procure no pinzarse los dedos entre el robot limpiador y la batería.

Extracción

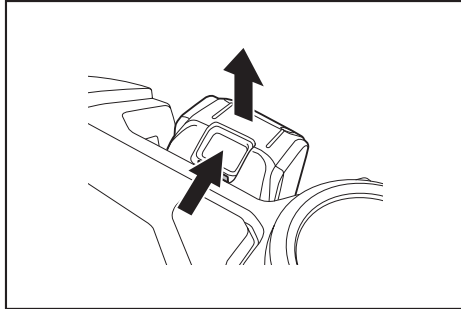
⚠ ADVERTENCIA

Cuando retire una batería, asegúrese de que el robot limpiador esté apagado. No retire la batería cuando el robot limpiador esté en modo en espera. (Consulte "Encendido y apagado" en esta página).

- Retirar la batería con el robot limpiador encendido puede producir fallas.

Sostenga la herramienta y el cartucho de batería con firmeza al retirar el cartucho de batería.

Levante la batería mientras utiliza el botón de la batería.

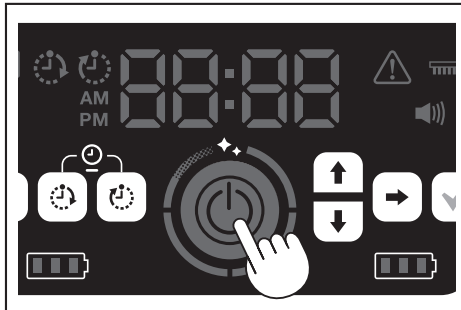


Encendido y apagado

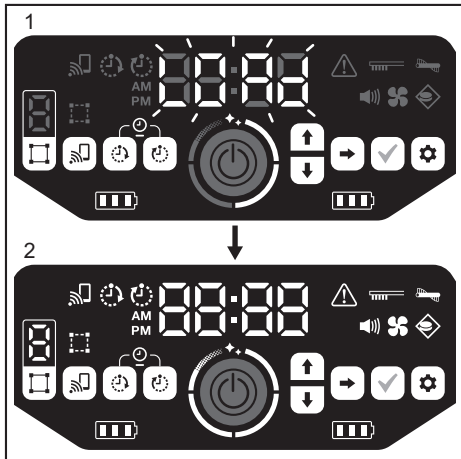
- Cuando encienda el robot limpiador, entrará en modo en espera. En el modo en espera, puede limpiar, cambiar los ajustes y conectarse con la aplicación.
- Si el robot limpiador, el mando a distancia o la aplicación no se utilizan durante unos 30 minutos en el modo en espera, el robot limpiador se apagará. (Si la lámpara de conexión con smartphone está encendida en la carcasa superior, el robot limpiador está encendido).
- Apague el robot limpiador al final de la operación y cuando lo almacene.
- Cuando el robot limpiador esté en suspensión, no podrá comunicarse con la aplicación.
- Cuando el robot limpiador esté apagado, no podrá utilizar el robot limpiador con el mando a distancia ni con la aplicación.

Encendido

- Con el robot limpiador apagado, pulse el botón de inicio/parada del robot limpiador.



- Espere sin utilizar el equipo hasta que se muestre la hora. Cuando el robot limpiador se utilice por primera vez, deberá ajustar la hora. Configure la hora del día. (Consulte la página 23).



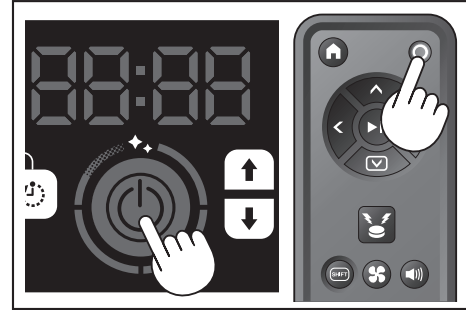
- 1. El mensaje [LOAd] parpadea en el indicador de tiempo y las cuatro lámparas de nivel de limpieza se prenden y apagan en sentido horario. La velocidad de cambio de las lámparas aumenta a medida que avanza el arranque.
- 2. Después de que todas las lámparas quedan encendidas, se habrá completado el arranque del robot limpiador (modo en espera).

Apagado

Mantenga pulsado el botón de inicio/parada del robot limpiador o pulse el botón de apagado del mando a distancia.

Cuando el robot limpiador se apague por completo, la pantalla y las lámparas se apagarán. Luego, espere sin retirar las baterías.

Cuando termine de utilizar el robot limpiador o cuando vaya a almacenarlo, apáguelo y retire las baterías.



AVISO

No retire las baterías antes de que el robot limpiador se apague por completo (es decir, antes de que la pantalla y las lámparas se apaguen). El historial de limpieza y la información de mapeo guardada pueden borrarse.

Lectura de la lámpara de carga de la batería del robot limpiador

Estado de la lámpara de carga de la batería	Capacidad de batería restante
	Del 60 % o más
	Del 20 % al 60 %
	Menos del 20 %
	Sin capacidad restante No hay una batería instalada

La capacidad restante es una indicación aproximada y puede variar en función de las condiciones de operación, la temperatura ambiente, el tipo de batería, el consumo de carga de la batería, etc.

Configuración antes de la limpieza

Antes de la limpieza, debe configurar el robot limpiador según los requisitos.

Encendido y apagado del ventilador extractor

Si solo quiere limpiar el polvo más visible y grande, puede apagar el ventilador extractor para alargar el tiempo de operación del robot limpiador. Para ver el encendido y apagado del ventilador extractor, consulte la página 19.

Encendido y apagado del ajuste de sonido

Cuando el ajuste de sonido del robot limpiador está apagado, el robot limpiador limpiará en silencio. (Consulte la página 23).

Configuración de la función de detección de demarcación

Con la función de detección de demarcación activada, el robot limpiador reconoce la línea de demarcación magnética configurada para una superficie de suelo. La línea de demarcación magnética funciona como un límite y el robot limpiador no superará la línea de demarcación magnética; de ese modo, puede limitar el área de operación. Para ver la configuración de la función de detección de demarcación, consulte la página 21.

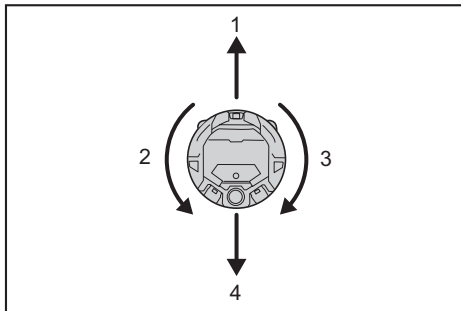
Instrucciones de uso

Limpieza

- El robot limpiador funciona de tres formas:
 - modo de limpieza libre que no requiere el registro de mapeo;
 - modo de limpieza por mapeo (consulte "Limpieza de una habitación con mapeo" en esta página), que requiere registrar la información de la habitación para la limpieza;
 - operación manual con el mando a distancia.
- El modo de limpieza libre se recomienda para la limpieza de varias habitaciones o en un entorno que tenga cambios de disposición frecuentes e importantes.
- Para una habitación que no se pueda iluminar adecuadamente durante el mapeo, utilice el modo de limpieza libre.
- Si la carga de batería restante del robot limpiador es baja, el robot limpiador suspende la limpieza y regresa al punto de inicio de la limpieza.

Limpieza de una habitación con el mando a distancia

El robot limpiador puede operarse para la limpieza con los botones de acción del mando a distancia.



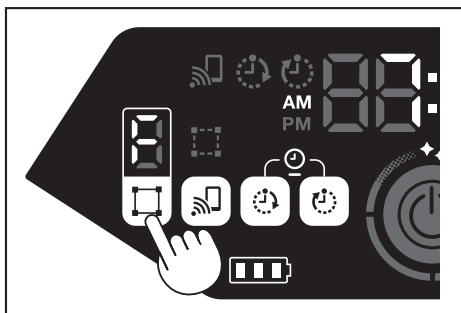
1. Avance: Pulse
2. Giro a la izquierda: Pulse
3. Giro a la derecha: Pulse
4. Retroceso: Mientras mantiene pulsado , pulse .

AVISO

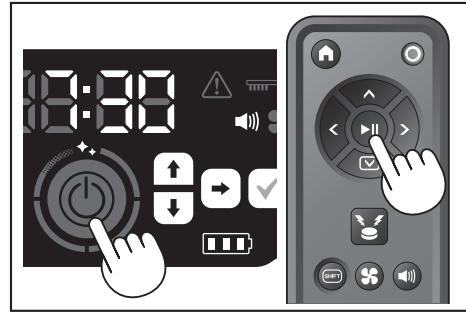
- No opere el robot limpiador en un lugar estrecho o desnivelado.
- Al operar el robot limpiador con el mando a distancia, procure evitar impactos y caídas.
- Si hay un obstáculo delante del robot limpiador en movimiento, el robot limpiador retrocederá para evitarlo.

Limpieza de una habitación sin mapeo (modo de limpieza libre)

1. Coloque el robot limpiador al lado de una pared de la habitación que desee limpiar.
2. Coloque el robot limpiador en modo en espera. (Consulte la página 16).
3. Pulse el botón de cambio de modo y seleccione [F] (modo de limpieza libre). Cada vez que pulse el botón de cambio de modo, el carácter mostrado cambia en este orden: "F, 1, 2, 3, 4, 5, F, ..." (cada número representa un número de habitación).



4. Cuando pulsa el botón de inicio/parada, el robot limpiador produce un sonido y comienza a limpiar. (Cuando el ajuste de sonido está activado)



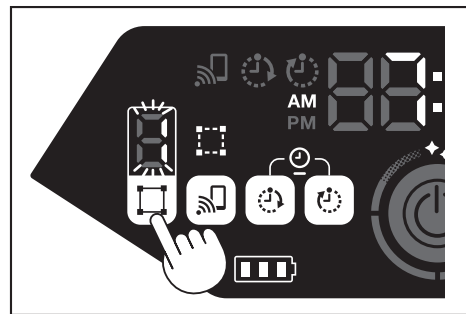
5. Cuando el robot limpiador determine que terminó de limpiar, volverá al punto de inicio de la limpieza.
 - Cuando el ajuste de sonido está activado, el robot limpiador emitirá un sonido al finalizar la limpieza. (Consulte la página 23).
 - El robot limpiador calcula su propia posición con un sensor LiDAR y el sensor de la cámara. Para que el sensor de la cámara funcione completamente, se recomienda iluminar la habitación para la limpieza. Si la habitación es oscura, es posible que el robot limpiador no pueda limpiar algunas áreas o no logre regresar al punto de inicio de la limpieza.

Limpieza de una habitación con mapeo

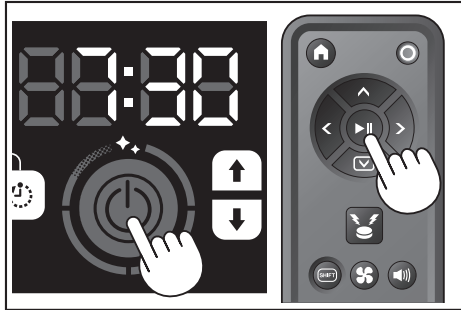
Registro de la información de la habitación (mapeo)

- Cuando ya se han determinado las habitaciones para limpiar, registrar la información de la habitación (registro de la información de mapeo) en el robot limpiador permite realizar una limpieza más eficiente. Después de completar el mapeo, se puede corroborar el resultado de la limpieza y configurar áreas prohibidas en la aplicación.
- Se pueden registrar hasta cinco habitaciones.
- Ilumine bien la habitación durante el mapeo.
- Aleje el robot limpiador durante el mapeo.
- No levante el robot limpiador durante el mapeo.
- No podrá realizar el mapeo si hay obstáculos de 25 cm (9-7/8") de alto o más en un radio de 11 m (36,09 pies) del robot limpiador. En este caso, recomendamos el modo de limpieza libre. (Consulte "Limpieza de una habitación sin mapeo (modo de limpieza libre)" en esta página)

1. Coloque el robot limpiador en el lugar donde desea que comience la limpieza.
 - Este será el punto de inicio de la limpieza.
 - Se recomienda definir el punto de inicio cerca de una pared, la esquina de una habitación u otro punto fácil de identificar.
 - Mantenga una distancia de unos 30 cm (11-3/4") de la pared.
2. Coloque el robot limpiador en modo en espera. (Consulte la página 16).
3. Pulse el botón de cambio de modo para elegir un número de habitación sin mapear.
 - [F] es el modo de limpieza libre. (Consulte "Limpieza de una habitación sin mapeo (modo de limpieza libre)" en esta página).
 - Los números de habitaciones sin mapear parpadearán y la lámpara de registro de habitación estará encendida.
 - Los números de habitaciones mapeadas aparecerán encendidos y la lámpara de registro de habitación estará apagada.

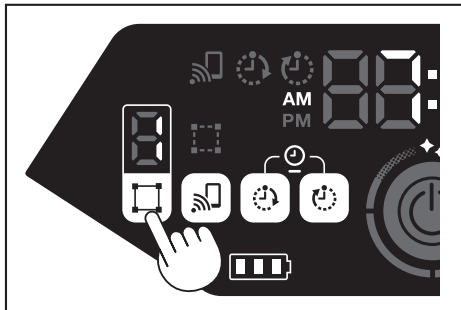


4. Cuando pulsa el botón de inicio/parada, el robot limpiador inicia el mapeo. Después del mapeo, el robot limpiador vuelve al punto de inicio del mapeo (punto de inicio de la limpieza) y completa el registro de la habitación.
 - Al finalizar el mapeo, el robot limpiador entrará en modo en espera. El robot limpiador puede demorarse en entrar en el modo en espera. No lo apague en este caso.
 - Cuando el ajuste de sonido está activado, el robot limpiador emitirá un sonido al finalizar el mapeo.
 - Si no se puede hacer el mapeo, añada la información de mapeo manualmente con la aplicación. (Consulte la página 41).

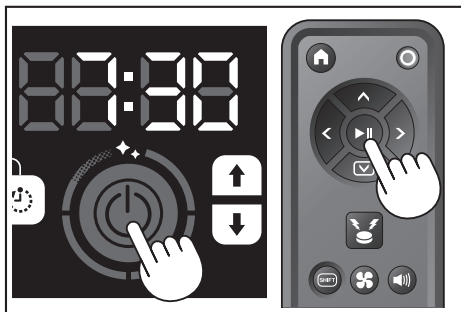


Limpeza de habitaciones mapeadas

- En el modo de limpieza por mapeo, el robot limpiador opera de forma tal que las habitaciones mapeadas se limpian con mayor eficiencia.
 - El uso del modo de limpieza por mapeo requiere que se registre la información de mapeo. (Consulte "Limpeza de una habitación con mapeo" en la página 17).
1. Coloque el robot limpiador en el punto de inicio para el mapeo. Coloque el robot limpiador con la misma orientación que al comienzo del mapeo, en la mayor medida posible. Esto le permite al robot limpiador limpiar con mayor uniformidad.
 2. Coloque el robot limpiador en modo en espera. (Consulte la página 16).
 3. Pulse el botón de cambio de modo para elegir un número de habitación mapeada.
 - [F] es el modo de limpieza libre. (Consulte la página 17).
 - Los números de habitaciones sin mapear parpadearán y la lámpara de registro de habitación estará encendida.
 - Los números de habitaciones mapeadas aparecerán encendidos y la lámpara de registro de habitación estará apagada.



4. Pulse el botón de inicio/parada para iniciar la limpieza.



5. Cuando la limpieza termine, el robot limpiador volverá al punto de inicio.
 - La lámpara del nivel de limpieza indica qué proporción de la habitación se ha limpiado.
 - Cuando el ajuste de sonido está activado, el robot limpiador emitirá un sonido al finalizar la limpieza. (Consulte la página 23).
 - Si el área por limpiar es demasiado extensa como para limpiar en una pasada, recomendamos utilizar el ajuste de [Limpieza continua]. (Consulte la página 44).

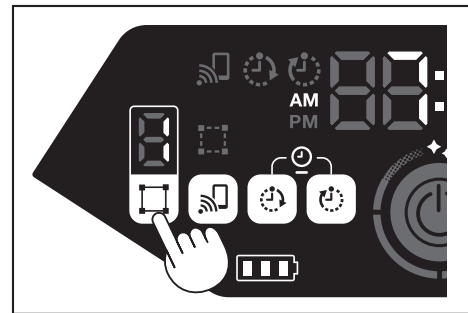
Lectura de la lámpara del nivel de limpieza

La lámpara del nivel de limpieza le indica el porcentaje de la superficie del área limpia en la habitación mapeada.

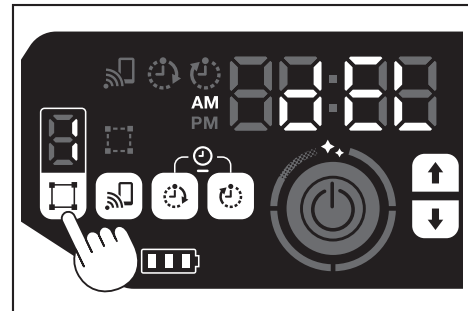
Estado de la lámpara del nivel de limpieza	Porcentaje de limpieza completada en el área limpia
	90 % o más
	De 75 % a menos de 90 %
	De 50 % a menos de 75 %
	De 25 % a menos de 50 %

Eliminación de la información de mapeo

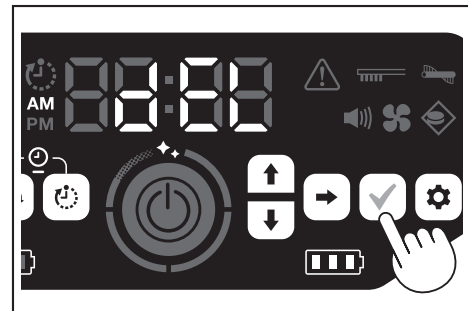
1. Coloque el robot limpiador en modo en espera. (Consulte la página 16).
2. Pulse el botón de cambio de modo para elegir el número de habitación para el que desea eliminar la información de mapeo.
 - Cada vez que pulse el botón de cambio de modo, el número de habitación cambia en este orden: "F, 1, 2, 3, 4, 5, F, ...". (Para el caso de [F], no podrá eliminar la información de mapeo, porque [F] es el modo de limpieza libre).
 - Un número de habitación mapeada se iluminará en la pantalla.



3. Cuando se mantenga pulsado el botón de cambio de modo, aparecerá [dEL] durante unos 10 segundos en el indicador de tiempo.



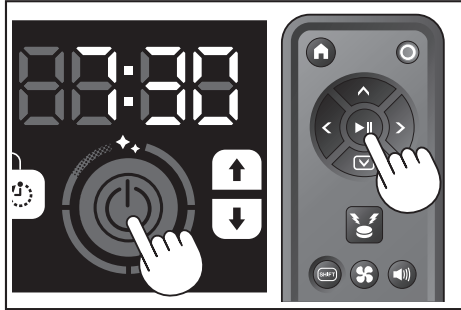
4. Pulse el botón de confirmación mientras aparece [dEL].



- Si no pulsa el botón de confirmación mientras aparece [dEL], el robot limpiador volverá al modo en espera.
- Cuando se elimine la información de mapeo, el número de habitación seleccionado parpadeará y se eliminará del registro.

Suspensión o finalización de la limpieza

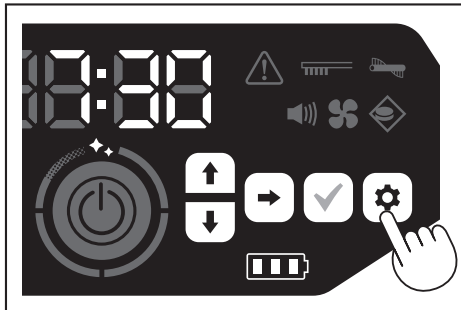
- Si pulsa el botón de inicio/parada durante la operación, el robot limpiador se detiene temporalmente.
Si vuelve a pulsar el botón de inicio/parada, el robot limpiador comienza a funcionar de nuevo con el mismo modo de operación que tenía antes de detenerse.



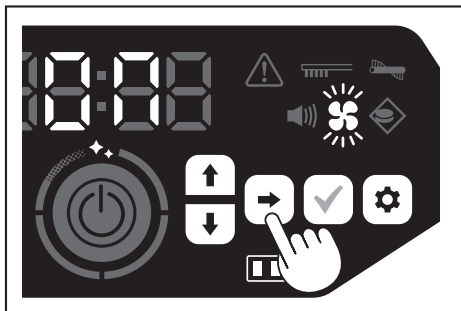
- Para detener la limpieza mientras el robot limpiador está en marcha, pulse el botón de punto de inicio del mando a distancia cuando el robot limpiador esté en marcha o temporalmente detenido. El robot limpiador vuelve al punto de inicio de la limpieza e ingresa al modo en espera.
 - Para suspender la limpieza de inmediato, pulse el botón de cambio de modo mientras el robot limpiador está temporalmente detenido. Luego, el robot limpiador ingresa al modo en espera.
 - Cuando la limpieza termine sin volver al punto de inicio, es posible que el historial de limpieza no se guarde correctamente.

Encendido y apagado del ventilador extractor

- Si solo quiere limpiar el polvo más visible y grande, puede apagar el ventilador extractor para alargar e incluso duplicar el tiempo de operación del robot limpiador.
 - El ventilador extractor puede configurarse con el mando a distancia o la aplicación. (Consulte "Encendido y apagado del ventilador extractor" en esta página y "Operación del robot limpiador con la aplicación" en la página 38).
- Con el robot limpiador en modo en espera, pulse el botón de ajuste para ingresar al modo de selección de ajuste.

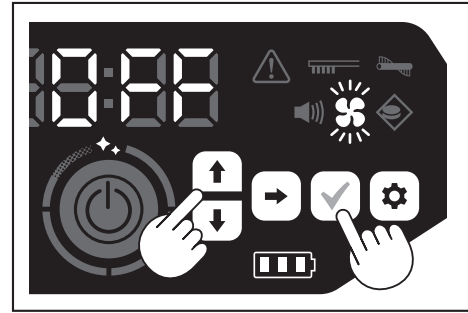


- Pulse el botón siguiente para que la lámpara del ventilador extractor parpadee.



- Puede utilizar los botones arriba/abajo para encender o apagar. Después de encender o apagar, pulse el botón de confirmación para finalizar el ajuste.
 - On: La lámpara del ventilador extractor se enciende.

- Off: La lámpara del ventilador extractor se apaga.



AVISO

Con el ajuste del ventilador extractor apagado, la lámpara de mantenimiento del filtro no se enciende, incluso si el filtro está obstruido.

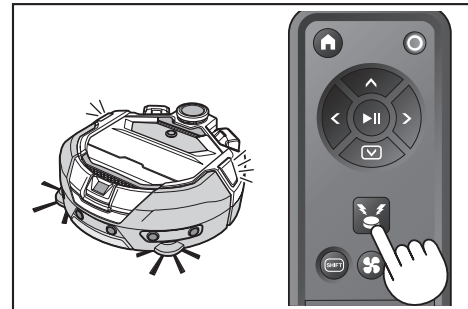
Encendido y apagado del ventilador extractor con el mando a distancia

Con el robot limpiador en modo en espera, puede encender o apagar el ventilador extractor si pulsa el botón de encendido/apagado del ventilador extractor en el mando a distancia.

Incluso durante la limpieza, el ventilador puede encenderse o apagarse desde el mando a distancia.

Uso de la función de baliza de localización

- El robot limpiador notifica su ubicación con la luz y el sonido del zumbador. Esta función se utiliza cuando no puede ubicarse el robot limpiador, debido a que limpia un área amplia o ha ingresado a un lugar y quedó oculto.
- Cuando se pulsa el botón de zumbador/luz de baliza de localización en el mando a distancia, el zumbador emite un sonido durante unos 10 segundos y el LED de posición parpadea.
- Para detener la función de baliza de localización, vuelva a pulsar el botón de zumbador/luz de baliza de localización.



AVISO

- La función de baliza de localización no puede utilizarse en estos casos.
 - Cuando el robot limpiador está apagado.
 - Cuando no tiene capacidad la batería.
 - Cuando el robot limpiador está en una posición donde no llegan las ondas de radio.
 - Cuando la batería en el mando a distancia está agotada.
- Aunque la función de baliza de localización puede utilizarse desde la aplicación, su smartphone y el robot limpiador deben estar conectados. Cuando el robot limpiador esté en suspensión, no podrá utilizar la función desde la aplicación.

Uso del temporizador de encendido y apagado

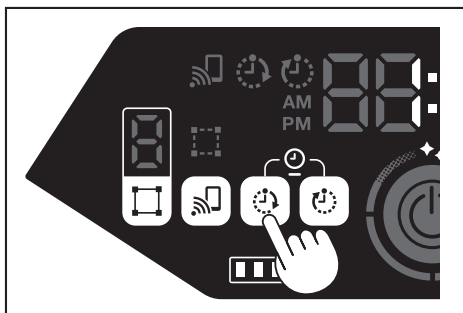
Puede utilizar el temporizador de encendido y apagado de manera simultánea.

Ajuste del temporizador de encendido

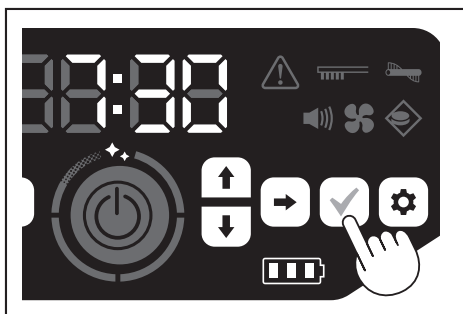
Cuando se alcance una hora predeterminada, el robot limpiador comenzará a limpiar en el modo de limpieza seleccionado. Antes de configurar el temporizador, configure la hora del día. (Consulte la página 23).

- Coloque el robot limpiador en modo en espera. (Consulte la página 16).
- Mantenga pulsado el botón de encendido del temporizador para cambiar la hora del temporizador de encendido.
 - El procedimiento de cambio es igual que el de ajuste de la hora (consulte la página 23).

- El temporizador de encendido puede configurarse en incrementos de 10 minutos.

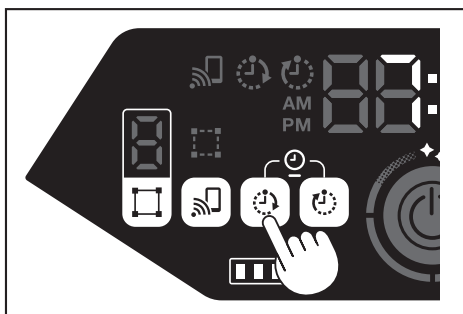


3. Pulse el botón de confirmación para finalizar el ajuste de la hora del día.

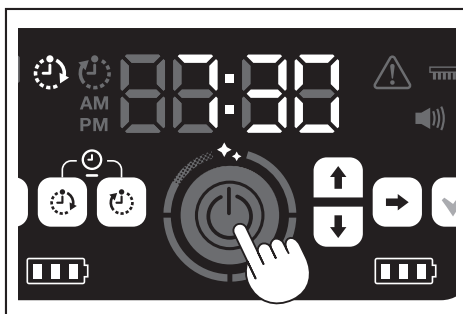


Uso del temporizador de encendido

1. Pulse el botón de encendido del temporizador para habilitar la función del temporizador de encendido. La lámpara de encendido del temporizador se enciende y la hora configurada parpadea dos veces.
- Para cancelar la función del temporizador de encendido, vuelva a pulsar el botón de encendido del temporizador para apagar la lámpara de encendido del temporizador.



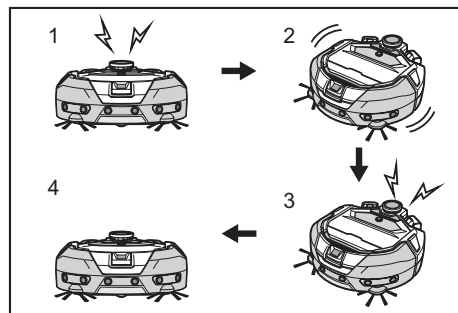
2. Elija el modo de operación del robot limpiador. (Consulte las páginas 17 y 18).
3. Cuando pulse el botón de inicio/parada, la limpieza con la función del temporizador de encendido se reserva. (Suspensión)
Para cancelar la función del temporizador de encendido con el robot limpiador en suspensión, vuelva a pulsar el botón de inicio/parada para poner el robot limpiador en modo en espera. Para ver la hora configurada después de la reserva, pulse cualquier botón menos el botón de inicio/parada. Luego, la hora configurada se iluminará durante 3 segundos.



AVISO

- La información reservada se cancela cuando se apaga el robot limpiador o se agota por completo la capacidad de la batería.
- Cuando las baterías tienen poca carga, el robot limpiador no podrá esperar para operar con la reserva del temporizador de encendido. Para operar con la reserva del temporizador de encendido, se recomienda cargar por completo las baterías.
- No podrá operar con la reserva del temporizador de encendido si el robot limpiador está apagado.
- Cuando el temporizador de encendido está activado, el tiempo de operación será menor debido a que el robot limpiador consume batería cuando está en suspensión.

- Ejemplo de uso: Haga que el robot limpiador limpie automáticamente por la mañana. (Configure el temporizador de encendido a las 7:30 y el temporizador de apagado a las 9:00).



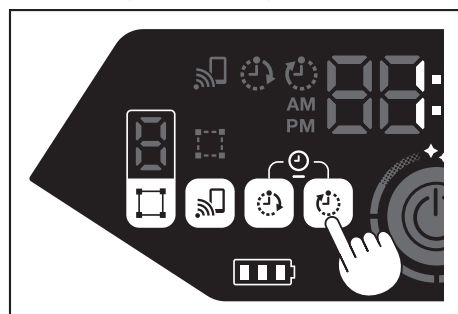
- ▶ 1. Comienza a las 7:30. (temporizador de encendido) 2. Limpieza
3. Termina la limpieza a las 9:00. (temporizador de apagado)
4. Vuelve al punto de inicio.

- Durante el ajuste de la hora y los minutos, mantenga pulsados los botones arriba/abajo para cambiar rápidamente la hora y los minutos.
- Cuando ya se completó el ajuste de la hora, solo tiene que seguir el procedimiento para "Uso del temporizador de encendido" en esta página.

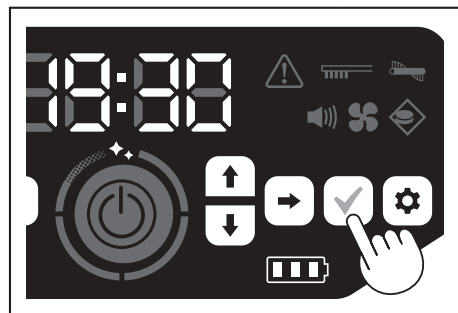
Ajuste del apagado del temporizador

Cuando se llegue a la hora predeterminada después del inicio de la limpieza, el robot limpiador finaliza la limpieza y vuelve al punto de inicio. Antes de configurar el temporizador, configure la hora del día. (Consulte la página 23).

1. Coloque el robot limpiador en modo en espera. (Consulte la página 16).
2. Mantenga pulsado el botón de apagado del temporizador para cambiar la hora del temporizador de apagado.
- El procedimiento de cambio es igual que el de ajuste de la hora. (Consulte la página 23).
- El temporizador de apagado puede configurarse en incrementos de 10 minutos.



3. Pulse el botón de confirmación para finalizar el ajuste de la hora del día.

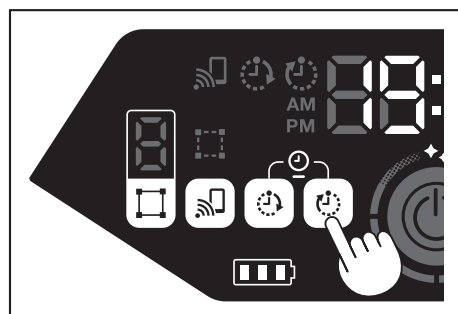


Uso del temporizador de apagado

Pulse el botón de apagado del temporizador para habilitar la función del temporizador de apagado.

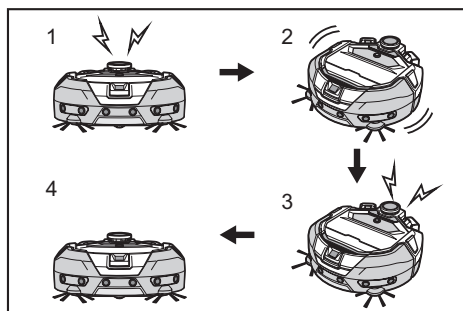
La lámpara de apagado del temporizador se enciende y la hora configurada parpadea dos veces.

- Para iniciar de inmediato la limpieza y utilizar el temporizador de apagado, elija el modo de limpieza y comience a limpiar.
- Para utilizar el temporizador de apagado junto con el temporizador de encendido, consulte la página 19.
- Para cancelar el temporizador de apagado, vuelva a pulsar el botón de apagado del temporizador cuando el robot limpiador esté en modo en espera.



AVISO

- El ajuste del temporizador de apagado se deshabilita cuando se apaga el robot limpiador o se agota por completo la capacidad de la batería.
- Cuando la capacidad de batería restante es baja, el robot limpiador puede dejar de funcionar antes de la hora configurada en el temporizador de apagado.
- De acuerdo con el entorno de limpieza, el robot limpiador puede tardarse en volver al punto de inicio. En este caso, configure un tiempo más corto para el temporizador de apagado.
- Ejemplo de uso: Haga que el robot limpiador limpie automáticamente solo durante 30 minutos por la noche. (Configure el temporizador de encendido a las 19:00 y el temporizador de apagado a las 19:30).



- 1. Comienza a las 19:00. (temporizador de encendido) 2. Limpieza 3. Termina la limpieza a las 19:30. (temporizador de apagado) 4. Vuelve al punto de inicio.
- Durante el ajuste de la hora y los minutos, mantenga pulsados los botones arriba/abajo para cambiar rápidamente la hora y los minutos.
 - Cuando ya se completó el ajuste de la hora, solo tiene que seguir el procedimiento para "Uso del temporizador de apagado" en la página 20.

Control del rango de limpieza

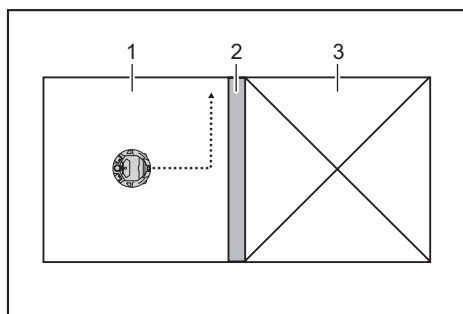
⚠ ADVERTENCIA

No utilice una línea de demarcación magnética como una línea de demarcación de un área donde pueda producirse un accidente debido a la intrusión o caída del robot limpiador.

- Esto puede producir accidentes o lesiones debido a la intrusión o caída del robot limpiador.

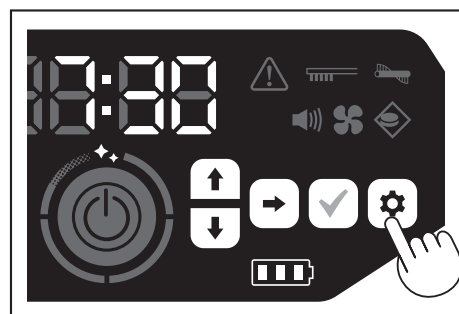
Para un área donde haya riesgo de intrusión o caída del robot limpiador, coloque un objeto que funcione como pared con 25 cm (9-7/8") de alto o más (un objeto que no se mueva ni caiga si el robot limpiador impacta con él) sobre una superficie plana.

- El rango de limpieza puede limitarse si conecta una línea de demarcación magnética (se vende por separado) sobre la superficie del suelo para marcar una línea de límite. El robot limpiador detecta y evita la línea de demarcación magnética.
- Configure el rango de limpieza del robot limpiador en estos casos.

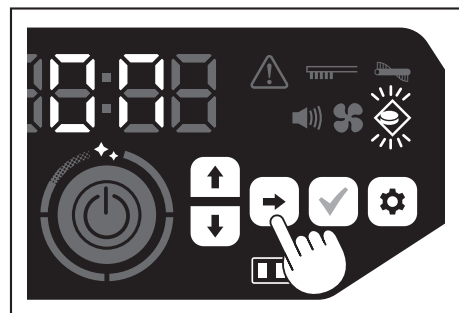


- 1. Área de limpieza 2. Línea de demarcación magnética 3. Área por la que no desea que pase el robot limpiador.
- Cuando quiera dividir un espacio que sea demasiado grande para limpiar de una sola vez en varias áreas de limpieza.
 - Cuando haya un área a la que no quiera que ingrese el robot limpiador.
 - Cuando haya un área a la que el robot limpiador pueda entrar, pero no salir.
 - Cuando el robot limpiador suba un escalón bajo, pero se caiga.
 - Cuando el robot limpiador quede atascado en la mitad de un escalón.
1. Marque la línea de demarcación magnética en función de los siguientes puntos.
 - Asegúrese de colocar la línea de demarcación magnética sin ningún espacio entre la línea y la superficie del suelo.
 - Marque la línea de demarcación magnética a unos 15 cm (5-7/8") del área a donde no quiere que ingrese el robot limpiador.

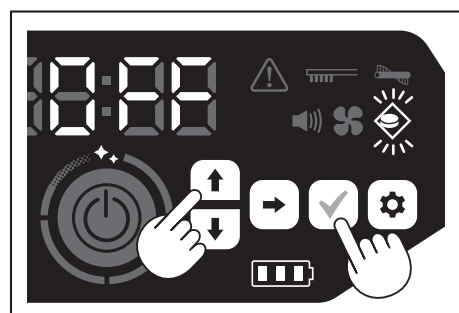
1. Marque la línea de demarcación magnética sobre una superficie de suelo lo más plana posible y que no sea inestable. De lo contrario, el robot limpiador puede desplazar la línea y no la reconocerá correctamente.
 - Es posible que el robot limpiador no reconozca una línea de demarcación magnética colocada sobre una superficie inclinada o cóncava.
 - Asegúrese de que la línea de demarcación magnética sea un producto original. Si no es un producto original, no podremos garantizar el rendimiento ni la seguridad.
 - Algunas superficies de suelo pueden ensuciarse. Compruebe la idoneidad de la superficie antes de utilizar el robot limpiador.
 - De acuerdo con la superficie del suelo y el entorno de operación, es probable que el sensor de imán para la detección de demarcación no reconozca la línea de demarcación magnética o que la línea de demarcación magnética se ensucie o desgaste. Compruebe la idoneidad de la superficie antes de utilizar el robot limpiador.
2. Con el robot limpiador en modo en espera, pulse el botón de ajuste para ingresar al modo de selección de ajuste.



3. Pulse el botón siguiente para que la lámpara de detección de demarcación parpadee.



4. Puede utilizar los botones arriba/abajo para encender o apagar. Después de encender o apagar, pulse el botón de confirmación para finalizar el ajuste.
 - On: La lámpara de detección de demarcación se enciende.
 - Off: La lámpara de detección de demarcación se apaga.



AVISO

- La función de detección de demarcación se basa en un sensor magnético que reconoce la línea de demarcación magnética. Si hay roturas, levantamiento, etc. de la línea de demarcación magnética, es posible que no se reconozca la línea.
- Compruebe periódicamente si hay desgastes, desvío vertical y otros problemas con la línea de demarcación magnética. Si hay problemas, como desgastes, sustituya la línea por una nueva.
- La función de detección de demarcación puede activarse cerca de un objeto magnético. Cuando no desee utilizar la función de detección de demarcación, deshabilítela.
- En un lugar donde haya un movimiento frecuente de personas y cosas, es probable que se pise la línea de demarcación magnética y se dañe. Si la línea se deteriora, sustitúyala por una nueva.
- De acuerdo con el material del suelo, se recomienda adherir la línea de demarcación magnética sobre el suelo, ya que el robot limpiador puede moverla al detectarla.
- La línea de demarcación magnética puede cortarse con tijera.

Instalación, extracción y uso de elementos vendidos por separado

Consulte las páginas indicadas a continuación para ver la instalación, extracción y uso de elementos vendidos por separado.

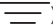
Elementos vendidos por separado	Página de referencia	Observaciones
Línea de demarcación magnética	21	—
Cepillo principal Cepillo suave principal	26	El procedimiento de manipulación es el mismo para el cepillo principal proporcionado.
Filtro HEPA	25	Es igual que el filtro HEPA proporcionado.
Cepillo lateral Cepillo suave lateral	26	El procedimiento de manipulación es el mismo para los cepillos laterales proporcionados.
Batería	15	—
Tapa del cepillo principal	26	Igual que la tapa del cepillo principal proporcionada.
Amortiguación del parachoques	—	Una amortiguación contra rayaduras que se coloca en el robot limpiador para proteger los objetos.

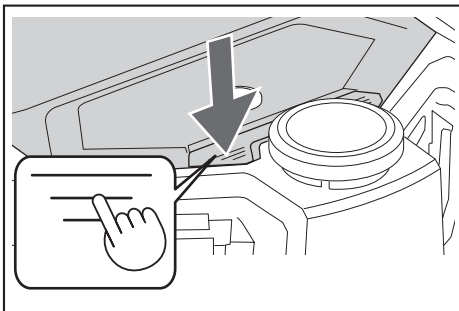
Eliminación de residuos

⚠ ADVERTENCIA

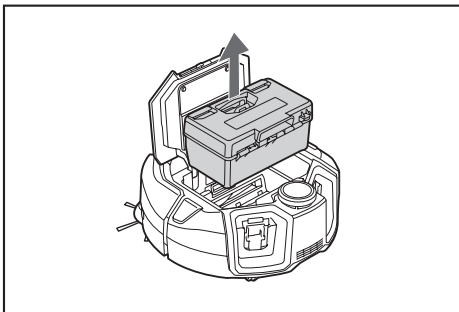
Asegúrese de apagar el robot limpiador y retirarle las baterías antes de abrir la tapa superior.

- Si queda una batería colocada en el robot limpiador, pueden producirse descargas eléctricas o lesiones.

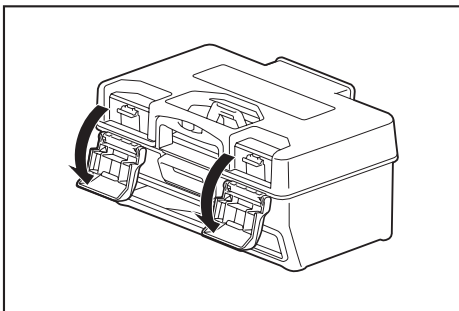
1. Pulse el botón de apertura () para abrir la tapa superior. Tenga cuidado, ya que la tapa superior se abre rápidamente.



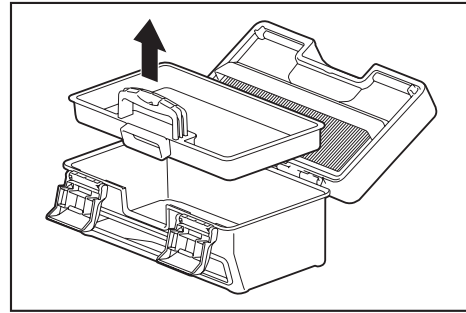
2. Retire la caja recolectora de polvo. No sostenga la caja recolectora de polvo con su lado abierto hacia abajo. Esto hará que salga polvo de la apertura.



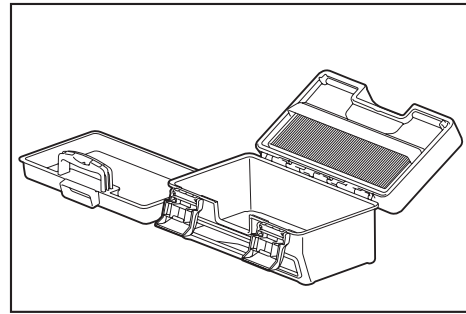
3. Libere las dos piezas bloqueadas para abrir la tapa superior.



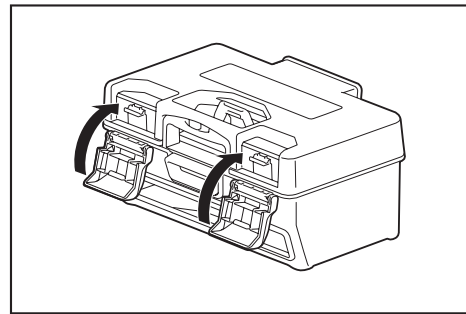
4. Retire el estuche de polvo. Procure no abrir la tapa superior sobre el lado del filtro.



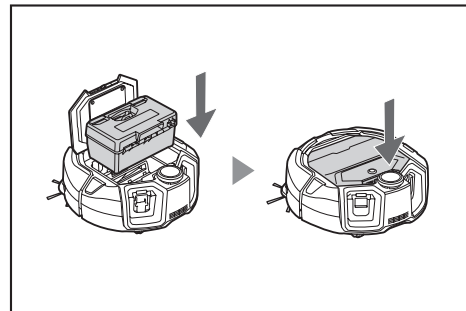
5. Deseche los residuos en el estuche de polvo y la caja recolectora de polvo; luego, limpie la suciedad y el polvo del filtro. Si el filtro está muy sucio, retírelo y lávelo con agua. (Consulte la página 25).



6. Vuelva a colocar el estuche de polvo en la caja recolectora de polvo. Luego, cierre la tapa superior y bloquee las dos piezas de bloqueo.



7. Vuelva a colocar la caja recolectora de polvo en el robot limpiador y presione la tapa superior hasta que se cierre con un clic. Cuando cierre la tapa superior, procure no pinzarse los dedos.



AVISO

- Al final de cada limpieza, deseche los residuos y limpie el filtro. Si sigue limpiando sin desechar los residuos, el filtro se obstruirá y la potencia de succión disminuirá.
- Coloque bien la caja recolectora de polvo y el filtro.

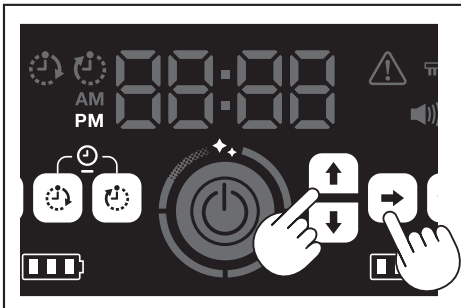
Configuración del robot limpiador

Configuración de la hora del día

Cuando utilice el robot limpiador por primera vez, comience por configurar la hora del día.

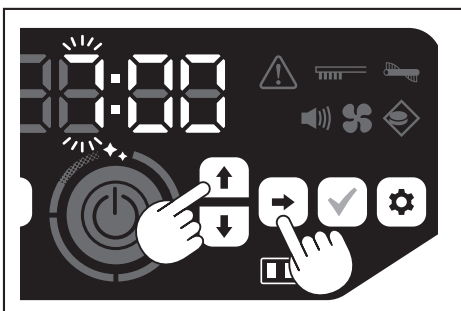
1. Utilice los botones arriba/abajo, elija el formato de visualización [AM], [PM] o indistinto (en formato de 24 horas) y pulse el botón siguiente para aceptar la selección.

Cuando pulse el botón siguiente, la hora parpadeará.

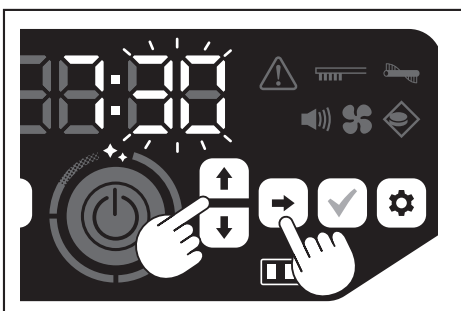


2. Elija la hora con los botones arriba/abajo y pulse el botón siguiente para aceptar la selección.

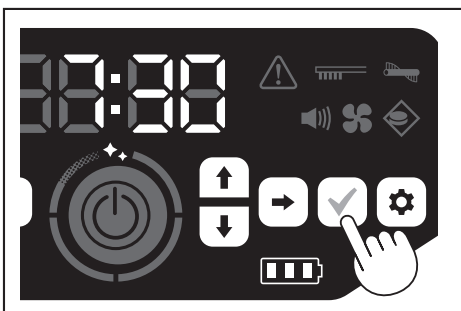
Cuando pulse el botón siguiente, los minutos parpadearán.



3. Elija los minutos con los botones arriba/abajo y pulse el botón siguiente para aceptar la selección.



4. Pulse el botón de confirmación para finalizar el ajuste de la hora del día.



AVISO

- Durante el ajuste de la hora y los minutos, mantenga pulsados los botones arriba/abajo para cambiar rápidamente la hora y los minutos.
- Cuando no utilice el robot limpiador durante un período prolongado, el ajuste de hora puede ser impreciso debido a la temperatura de almacenamiento o puede reiniciarse si la batería integrada pierde carga.

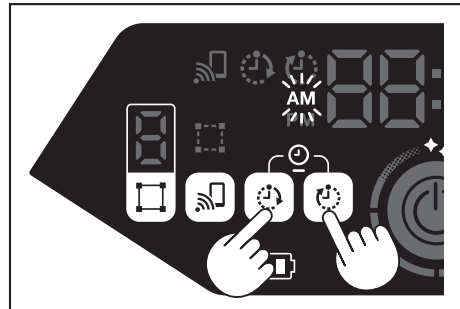
Configuración de la hora del día nuevamente

Cuando no utilice el robot limpiador durante un período prolongado, el ajuste de hora puede ser impreciso o reiniciarse.

Cuando conecte el robot limpiador a un smartphone con la aplicación, la hora del día del smartphone se configurará automáticamente en el robot limpiador.

Si desea configurar la hora del día manualmente, siga este procedimiento.

1. Coloque el robot limpiador en modo en espera. (Consulte la página 16).
2. Mantenga pulsado el botón del temporizador de encendido y el botón del temporizador de apagado al mismo tiempo para que el formato de la hora [AM] o [PM] parpadee (no parpadea cuando se configuró en formato de 24 horas).



3. Configure la hora del día con la instrucción "Configuración de la hora del día" en esta página del paso 1.

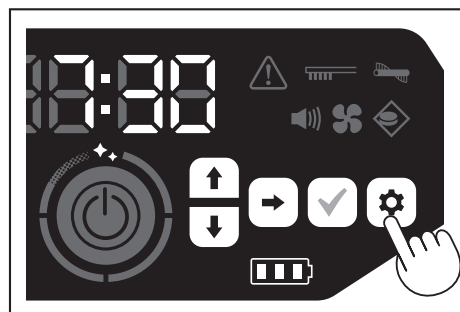
Configuración del Wi-Fi® (en el robot limpiador y el smartphone)

- Para operar el robot limpiador con la aplicación, configure el Wi-Fi® para la aplicación y el robot limpiador con la aplicación. (Consulte la página 35).
- Primero, instale la aplicación en su smartphone.
- El robot limpiador sirve como punto de acceso para el smartphone. Cuando haya un smartphone conectado al robot limpiador, el smartphone no se conectará a ninguna red distinta del robot limpiador.
- Para conectar un smartphone al robot limpiador, pulse el botón de conexión con smartphone para habilitar el Wi-Fi.
- Cuando no utilice el Wi-Fi, pulse el botón de conexión con smartphone para apagar la lámpara de conexión con smartphone.
- Puede gestionar varios robots limpiadores desde la misma aplicación. En ese caso, configure la conexión inalámbrica con la aplicación de a un robot limpiador por vez.

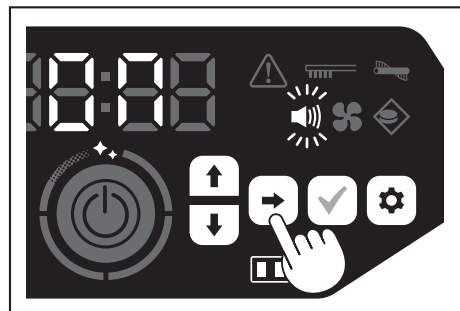
Ajuste de sonido

- Puede elegir si quiere que el robot limpiador emita un sonido o no.
- También puede configurar el ajuste de sonido desde el mando a distancia.

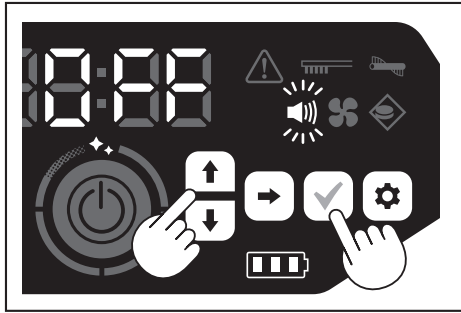
1. Con el robot limpiador en modo en espera, pulse el botón de ajuste para ingresar al modo de selección de ajuste.



2. Pulse el botón siguiente para que la lámpara de sonido parpadee.



3. Puede utilizar los botones arriba/abajo para encender o apagar. Después de encender o apagar, pulse el botón de confirmación para finalizar la selección.
 - On: La lámpara de sonido se enciende (sonido habilitado).
 - Off: La lámpara de sonido se apaga (sonido deshabilitado).



AVISO

Incluso si el ajuste de sonido está desactivado, el robot limpiador puede emitir un sonido para notificar un error, etc.

Activación y desactivación del ajuste de sonido con el mando a distancia

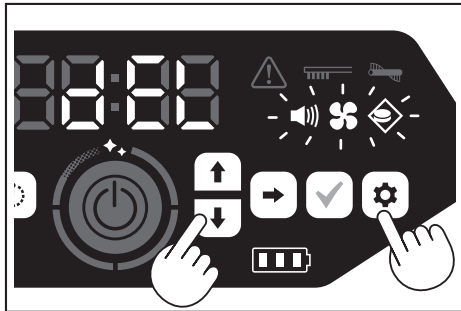
Con el robot limpiador en modo en espera, pulse el botón de activación/desactivación del sonido en el mando a distancia para activar o desactivar el ajuste de sonido.

El ajuste de sonido puede activarse o desactivarse incluso durante la limpieza con el mando a distancia.

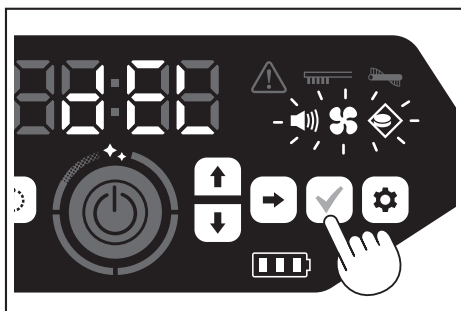
Restablecimiento de los ajustes

Puede restablecer los ajustes del robot limpiador a los valores de fábrica.

1. Coloque el robot limpiador en modo en espera. (Consulte la página 16).
2. Mantenga pulsado el botón abajo y el botón de ajuste. Aparecerá [dEL] en el indicador de tiempo y parpadearán los iconos y las lámparas, excepto la lámpara de error.



3. Pulse el botón de confirmación mientras aparece [dEL] (durante unos 10 segundos).
 - Si no pulsa el botón de confirmación mientras aparece [dEL], el robot limpiador volverá al modo en espera.
 - Cuando el robot limpiador ejecuta el proceso de restablecimiento, se apagarán los iconos y las lámparas, excepto por la lámpara de carga de la batería. Aunque el robot limpiador no funcionará en este momento, incluso si pulsa los botones en el panel de operaciones, no toque los botones. Además, no debe retirar las baterías.

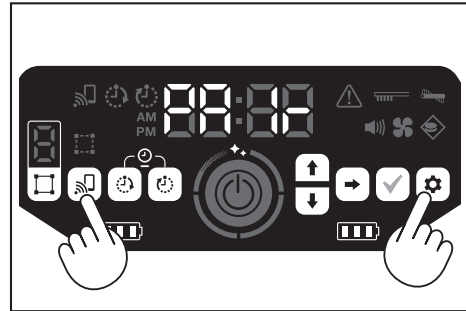


4. Al finalizar el proceso de restablecimiento, se lleva a cabo el reinicio y aparecerá la pantalla de ajuste de la hora del día.

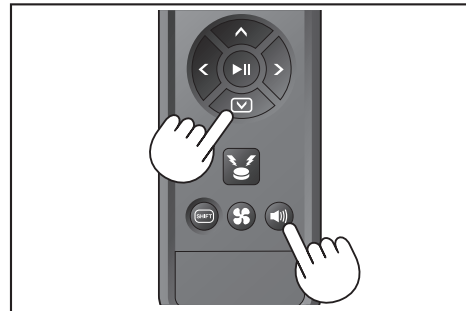
Emparejamiento del robot limpiador y el mando a distancia

Quando sustituya el mando a distancia por uno nuevo, empareje el robot limpiador y el mando a distancia nuevo.

1. Mantenga pulsado el botón de conexión con smartphone y el botón de ajuste simultáneamente para que aparezca [PAIr] en el indicador de tiempo. Aparece [PAIr] durante 10 segundos.



2. Durante el período en que aparece [PAIr], pulse simultáneamente el botón de acción (abajo) y el botón de activación/desactivación del sonido del mando a distancia. Cuando finalice el emparejamiento, el robot limpiador emitirá dos pitidos breves y volverá al modo en espera.



AVISO

- Si el emparejamiento falla, el robot limpiador emitirá un sonido de error.
- Si el robot limpiador no puede recibir una señal del mando a distancia durante el período en que aparece [PAIr], el robot limpiador vuelve al modo en espera.

Cuidado

⚠ ADVERTENCIA

Asegúrese de apagar el robot limpiador y retirarle las baterías antes de realizar tareas de mantenimiento en el robot limpiador.

- Si queda una batería colocada en el robot limpiador, pueden producirse descargas eléctricas o lesiones.

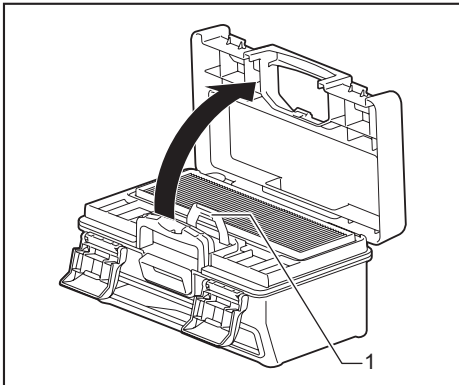
⚠ PRECAUCIÓN

Para mantener un rendimiento óptimo, lleve a cabo periódicamente el mantenimiento que se menciona en esta sección. Si hay un problema, deje de utilizar el robot limpiador y solicite en la tienda donde lo haya comprado o nuestra oficina de ventas que se le realice una inspección y reparación.

Mantenimiento

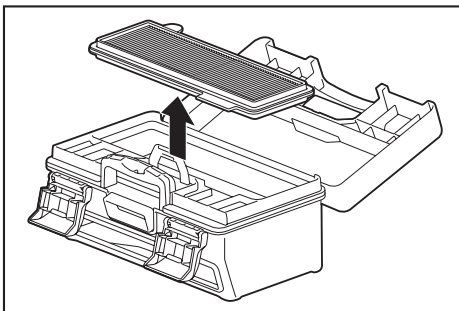
Mantenimiento y sustitución de la caja recolectora de polvo y el filtro

- Cuando la potencia de succión del robot limpiador disminuye, la acumulación de polvo es notable o cuando se enciende la lámpara de mantenimiento del filtro, retire el filtro y lávelo con agua.
 - Antes del mantenimiento, coloque un periódico u otro material similar sobre la superficie donde apoyará el robot limpiador.
 - No utilice sustancias químicas ni agua caliente con una temperatura que supere los 40 °C (104 °F).
1. Deseche los residuos de acuerdo con los pasos 1 a 5 de "Eliminación de residuos". (Consulte la página 22).
 2. Vuelva a colocar el estuche de polvo en la caja recolectora de polvo y cierre la tapa superior de esta.
 3. Desenganche el gancho y abra la tapa superior del lado del filtro.

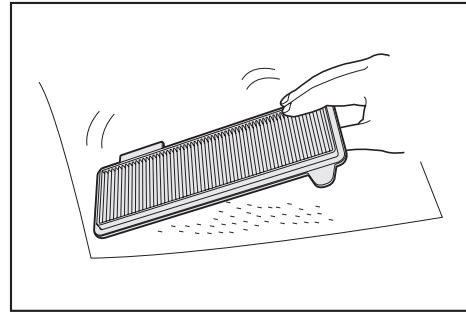


► 1. Gancho

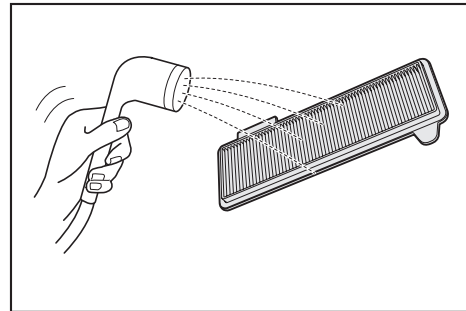
4. Retire el filtro de la caja recolectora de polvo.
Retire el filtro lentamente para evitar levantar polvo.



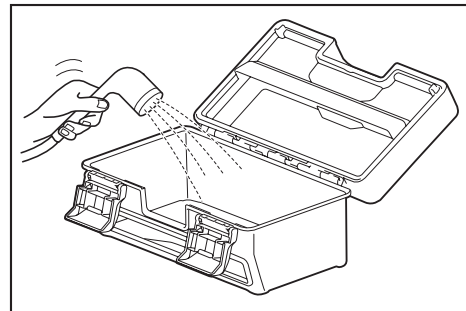
5. Golpee ligeramente el filtro para liberar el polvo y la suciedad.
 - No frote el filtro con fuerza ni lo presione con las manos.
 - No utilice un objeto con punta filosa (como un mondadientes), ya que puede causar roturas.



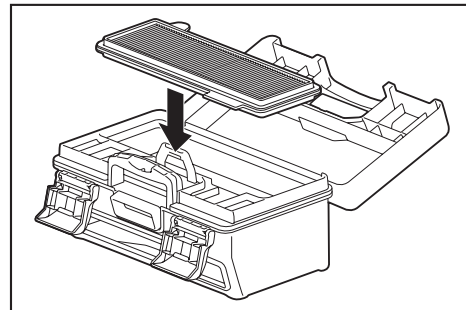
6. Cuando la potencia de succión del robot limpiador sea baja, lave el filtro con agua.
Si el aroma le molesta, ponga en remojo el filtro en detergente neutro diluido durante unas tres horas y, luego, lávelo con agua.



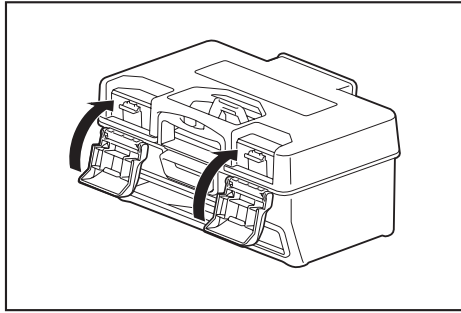
7. Cuando el polvo de la caja recolectora de polvo sea visible, lávela con agua o detergente neutro diluido.



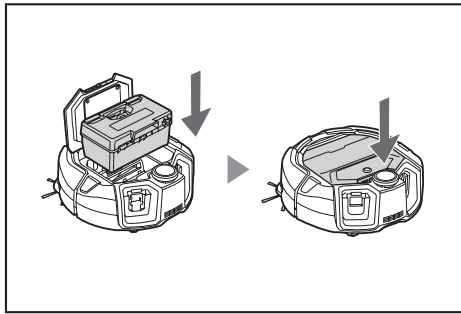
8. Cuando haya lavado el filtro o la caja recolectora de polvo con agua, seque bien en un lugar bien ventilado y lejos de la luz natural directa.
 - Utilizar las piezas sin haberlas secado adecuadamente puede reducir la potencia de succión y la vida útil del motor.
 - Utilizar las piezas mientras están húmedas puede generar olor o fallas.
 - El tiempo de secado es de aproximadamente un día.
 - Evite secar con secador, soplador, etc.
9. Coloque el filtro en la caja recolectora de polvo.



10. Cierre la tapa superior del lado del filtro y asegúrese de que el gancho quede enganchado. Luego, bloquee las dos piezas de bloqueo.



11. Vuelva a colocar la caja recolectora de polvo en el robot limpiador y presione la tapa superior hasta que se cierre con un clic. Cuando cierre la tapa superior, procure no pinzarse los dedos.

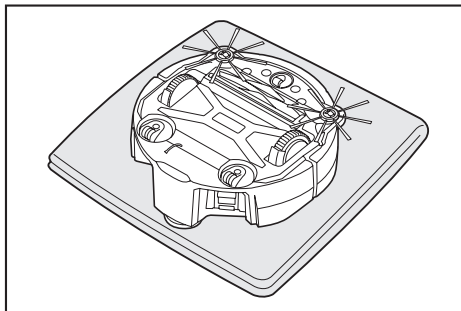


AVISO

- No utilice el robot limpiador sin el filtro. No utilice el robot limpiador con el filtro dañado o sucio.
- El filtro puede lavarse con agua. Lave la suciedad con agua en intervalos regulares (cada uno o dos meses).
- Si el filtro se deteriora, sustitúyalo por uno nuevo.
- El filtro es descartable y se recomienda contar con un repuesto.
- No frote el filtro con un objeto duro, como un cepillo o una espátula, para no dañarlo.
- No limpie el filtro HEPA con un soplador ni una lavadora a presión, ya que se daña fácilmente.

Tome precauciones al realizar el mantenimiento en el lado inferior del robot limpiador.


- Retire la caja recolectora de polvo antes de realizar el mantenimiento. (Consulte la página 22). De lo contrario, puede salir polvo de la apertura.
- Coloque el robot limpiador boca abajo antes de realizar el mantenimiento de los cepillos laterales, el cepillo principal, la parte inferior del robot limpiador y las ruedas.
- Durante el mantenimiento, apoye un tapete grueso u otro elemento similar para que el robot limpiador y la superficie del suelo no se dañen y para no presionar el sensor LIDAR.

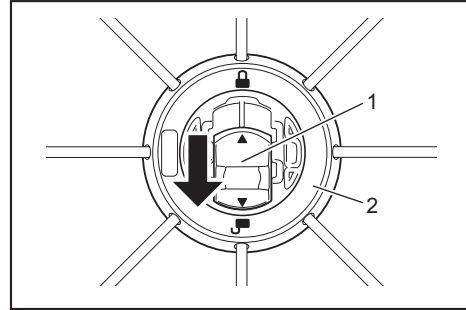


- No presione con fuerza la superficie inferior del robot limpiador cuando el robot limpiador esté boca abajo. Esto puede dañar el robot limpiador.

Cuidado y sustitución de los cepillos laterales

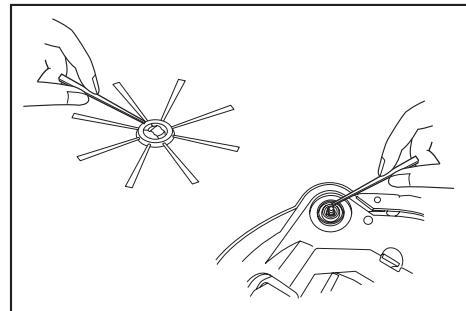
- Si se indica un error (consulte la página 29) o el cepillo lateral tiene polvo o cabellos atascados, limpie el cepillo lateral.
- Cuando las cerdas del cepillo lateral estén dobladas o se salgan, sustituya el cepillo por uno nuevo.
- Cuando el cepillo lateral no gire o gire con dificultad, retírelo y límpielo.

1. Coloque el robot limpiador boca abajo sobre un tapete, etc.
2. Deslice la palanca de bloqueo del cepillo lateral hacia la posición  (marca de liberación).



- 1. Palanca de bloqueo 2. Cepillo lateral

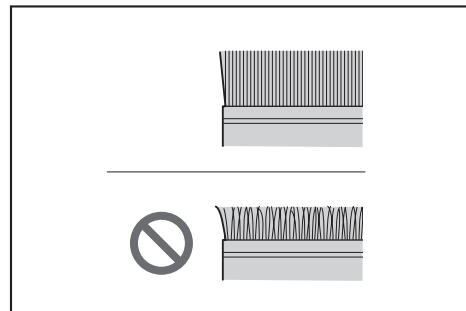
3. Retire el cepillo lateral.
4. Utilice pinzas u otras herramientas para retirar el cabello y el polvo atascado en el cepillo lateral.



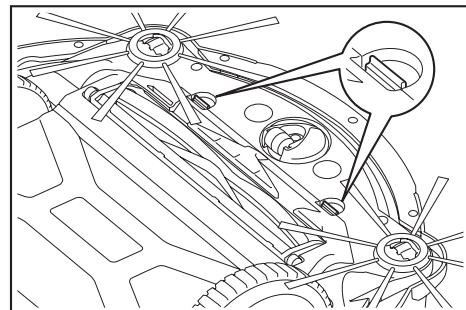
5. Coloque el cepillo lateral en el robot limpiador. (Consulte la página 14).

Cuidado y sustitución del cepillo principal

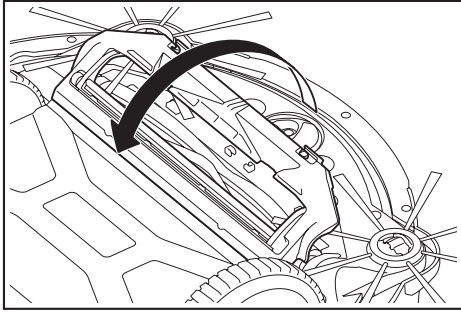
- Si se indica un error (consulte la página 29) o el cepillo principal tiene polvo o cabellos atascados, limpie el cepillo principal.
- Si las cerdas del cepillo principal están desgastadas o más cortas, sustituya el cepillo principal.



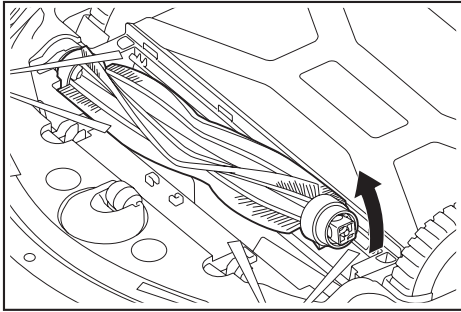
1. Coloque el robot limpiador boca abajo sobre un tapete, etc.
2. Desenganche los ganchos de la tapa del cepillo principal.



3. Retire la tapa del cepillo principal.
No desmonte la tapa del cepillo principal.



4. Retire el cepillo principal.



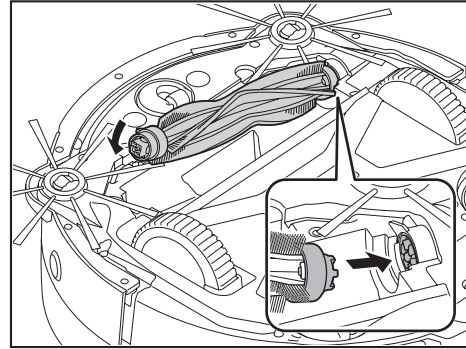
5. Realice el mantenimiento del cepillo principal, la tapa del cepillo principal, la carcasa del cepillo principal y las juntas como se describe a continuación.

Pieza	Mantenimiento
Cepillo principal	<p>Retire la tapa de cojinete del cepillo principal y limpie el polvo acumulado. Si hay pelusas y cabellos acumulados, córtelos a lo largo de las cerdas del cepillo con tijera y retírelos. Si hay polvo colgando, lávelo con agua.</p> <p>► 1. Tapa de cojinete</p>
Tapa del cepillo principal	<p>Limpie con un paño humedecido con agua o detergente neutro diluido. Si la suciedad es visible, lávela con agua.</p>
Carcasa del cepillo principal	<p>Limpie con un paño humedecido con agua o detergente neutro diluido. No puede lavarse con agua.</p>
Juntas	<p>Para las juntas del robot limpiador, afloje los tornillos con un destornillador mientras sostiene la junta con la mano. Luego, levante la junta. Limpie el polvo dentro del robot limpiador.</p> <p>► 1. Junta 2. Tornillo</p>

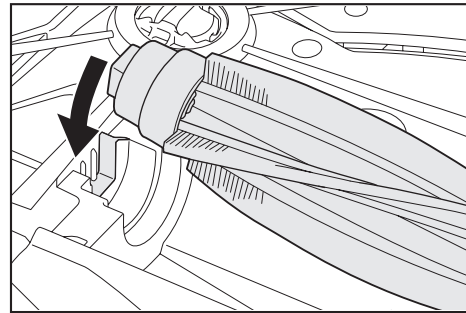
AVISO

No utilice diluyente, bencina, alcohol, etc., ya que provocará deterioro o decoloración.

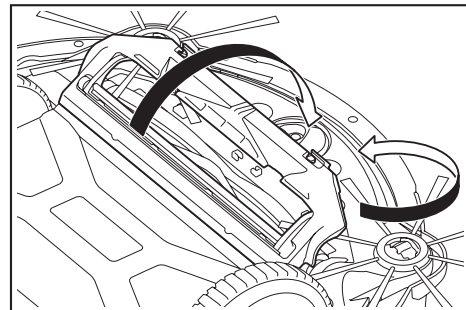
6. Las piezas lavadas con agua deben secarse bien en un lugar bien ventilado y lejos de la luz natural directa.
- Utilizar las piezas sin haberlas secado adecuadamente puede reducir la potencia de succión y la vida útil del motor.
 - Utilizar las piezas mientras están húmedas puede generar olor o fallas.
 - El tiempo de secado es de aproximadamente un día.
 - Evite secar con secador, soplador, etc.
7. Vuelva a colocar la tapa de cojinete en la posición original en el cepillo principal.
8. Ajuste las juntas del robot limpiador con los tornillos.
9. Coloque el cepillo principal de modo que la forma del soporte del cepillo principal encaje con la ranura de las juntas del robot limpiador.



10. Gire la tapa de cojinete para alinear su orientación y colóquela en el robot limpiador.

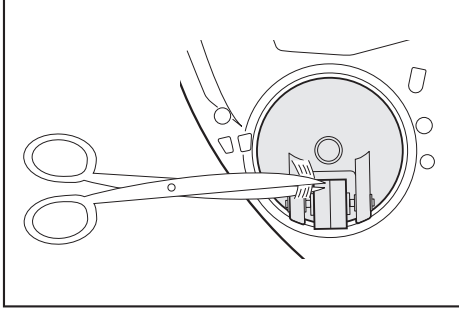


11. Coloque la tapa del cepillo principal (empuje el gancho hasta que haga clic).
- Procure que el cepillo lateral no quede atascado en la tapa del cepillo principal.
 - Para que los cepillos laterales no queden atascados, retírelos temporalmente o coloque la tapa del cepillo principal mientras gira el cepillo lateral en la dirección que se muestra en la figura.

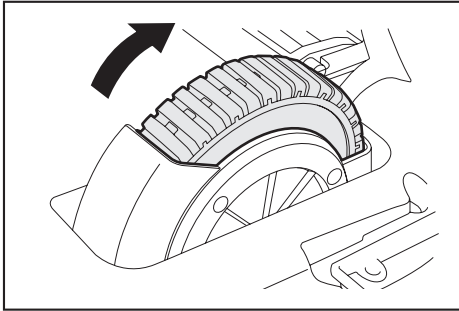


Mantenimiento de las ruedas

- Realice el mantenimiento de las ruedas cuando tengan polvo y cabellos atascados.
- No retire las ruedas del robot limpiador.
- Limpie el polvo en las ruedas. Si cuesta limpiarlas, utilice tijeras de punta fina, pinzas, etc.



- Retire la suciedad de las ruedas motrices mientras las gira. En ese momento, procure no pinzarse la mano.

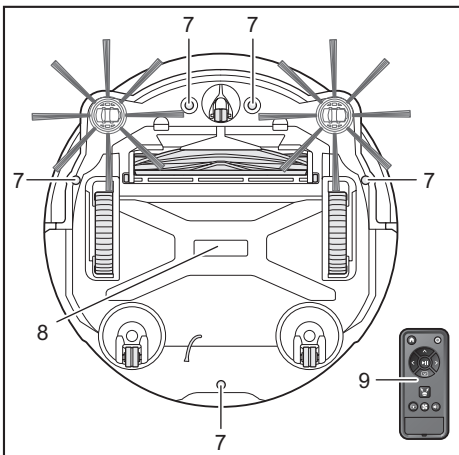
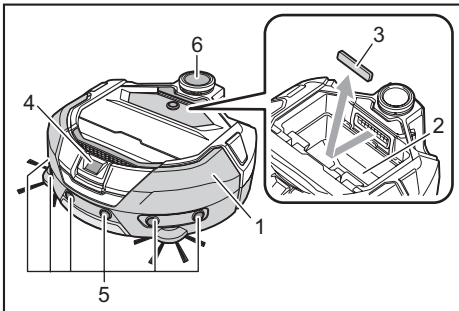


Mantenimiento del robot limpiador

AVISO

- No utilice diluyente, bencina, alcohol, etc., ya que provocará deterioro o decoloración.
- No utilice un objeto con punta filosa (como un mondadientes), ya que puede causar roturas o daños.

Siga la tabla a continuación al realizar el mantenimiento del robot limpiador.



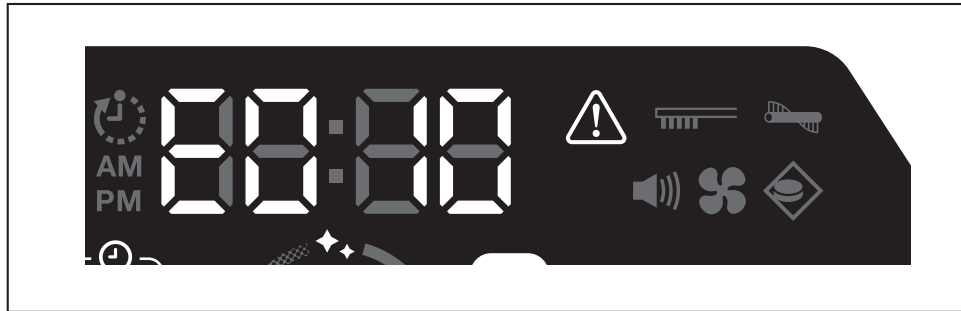
Número	Pieza	Mantenimiento
1.	Superficie del robot limpiador	Limpie con un paño humedecido con agua o detergente neutro diluido.
2.	Interior del robot limpiador (carcasa de la caja recolectora de polvo)	Limpie con un paño humedecido con agua o detergente neutro diluido.
3.	Esponja en la abertura de succión dentro del robot limpiador	Retire la esponja y lávela con agua para limpiar el polvo.
4.	Sensor de la cámara	Limpie la suciedad con un paño suave o un hisopo y procure no dañarlo.
5.	Sensor ultrasónico	Limpie con un paño humedecido con agua o detergente neutro diluido.
6.	Sensor LiDAR	Retire la suciedad y el polvo dentro de la tapa del sensor LiDAR.
7.	Sensor de precipicio (5 ubicaciones)	Limpie la suciedad con un paño suave o un hisopo y procure no dañarlo.
8.	Parte inferior del robot limpiador	Limpie con un paño humedecido con agua o detergente neutro diluido.
9.	Lado delantero del mando a distancia y sus botones	Limpie la suciedad con un paño seco.

Acerca de la reparación

- Si no puede reanudar la operación después de eliminar la causa de una indicación de error o notificación (consulte la página 29), apague el robot limpiador y vuelva a encenderlo.
- Si vuelve a mostrarse la misma indicación de error o notificación, solicite a la tienda donde compró el producto o nuestra oficina de ventas que realicen la reparación.
- No realice la reparación por su cuenta. Asegúrese de consultar a la tienda donde haya comprado el robot limpiador o nuestra oficina de ventas.
- Cuando solicite la reparación, lleve el robot limpiador con las baterías y el cargador.

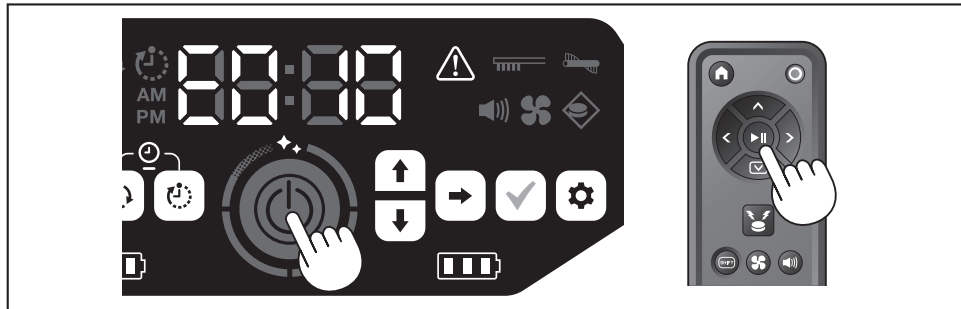
Indicación de error y notificación

Cuando se requiera mantenimiento o se produzca un error, se encenderá una lámpara roja en el panel de operación del robot limpiador y se mostrará el número de error. Además, puede emitirse una notificación.



Cancelación de una indicación de error y notificación

- Cuando aparezca una notificación para el mantenimiento del filtro, podrá operar el robot limpiador, pero no funcionará adecuadamente. Elimine la causa antes de utilizar el robot limpiador.
 - Cuando aparezca una notificación de error, el robot limpiador dejará de operar. Proceda como se indica a continuación.
1. Compruebe el número de error y elimine la causa. (Consulte "Notificación de mantenimiento, etc." en esta página).
 - Si apaga el robot limpiador o se agota la capacidad de batería antes de eliminar la causa del error, el robot limpiador cancelará el error temporalmente.
 2. Si pulsa el botón de inicio/parada del robot limpiador o el mando a distancia cancelará la indicación de error y el robot limpiador pasará al modo en espera.




3. Compruebe que se haya eliminado el error antes de utilizar el robot limpiador.

AVISO

- Reinicie el robot limpiador si no puede operarlo después de eliminar la causa del error.
- Si surge el mismo error varias veces, solicite a la tienda donde compró el producto o nuestra oficina de ventas que realicen la reparación.





Notificación de mantenimiento, etc.













Si se enciende la lámpara, apague el robot limpiador y retire las baterías. Luego, proceda como se indica a continuación.

Problema notificado	Causa	Acción
• Se requiere mantenimiento del filtro. 	Hay polvo acumulado o el filtro está obstruido.	Limpie el polvo y realice el mantenimiento del filtro. → Consulte las páginas 22 y 25. Revise si hay polvo acumulado dentro del robot limpiador y en la abertura de escape.

Notificación de errores

- Tome una medida de acuerdo con la lámpara de error y el número que figure en el indicador.
- Para los códigos de error en la lista, se mostrará un número específico en lugar de la "X" de acuerdo con el tipo de error. Comunique el código de error cuando se comunique con el distribuidor o nuestra oficina de ventas.
- Cuando compruebe la causa o tome una medida, apague el robot limpiador y retire las baterías antes de tomar una medida.
- Si se muestra un número de error distinto de los enumerados, consulte a la tienda donde compró el producto o nuestra oficina de ventas.

Número	Causa	Acción
Problema notificado		
E01X Error de las ruedas motrices 	¿Hay materia extraña, como pelusas o cabellos, en las ruedas motrices? Cuando el robot limpiador pase por un espacio bajo, puede quedar atascado y mostrará esta notificación.	Deseche la materia extraña. → Consulte la página 28. No es una falla.
E02X Error debido a la pérdida de una rueda o a que se levantó el robot limpiador 	¿Hay una rueda salida o está separada del suelo?	Traslade el robot limpiador a otra ubicación. → Consulte la página 11.
E030 Error del cepillo principal  	¿Hay materia extraña, como pelusas o cabellos, en el cepillo principal?	Deseche la materia extraña. → Consulte la página 26.

Número	Causa	Acción
Problema notificado		
E04X Error de los cepillos laterales	  ¿Hay materia extraña, como pelusas o cabellos, en los cepillos laterales?	Deseche la materia extraña. → Consulte las páginas 14 y 26.
E060 No se detecta la caja recolectora de polvo o el filtro	  La caja recolectora de polvo o el filtro no están colocados.	Compruebe que estén instalados adecuadamente. → Consulte las páginas 22 y 25.
E09X Error del sensor de precipicio	 ¿El robot limpiador está expuesto a la luz natural directa? ¿El robot limpiador está ubicado sobre una superficie de suelo negra? ¿El sensor de precipicio está sucio?	Traslade el robot limpiador a otra ubicación. → Consulte la página 11. • Limpie con cuidado la suciedad del sensor de precipicio con un paño seco y suave, un hisopo, etc. • Compruebe si los contactos de la línea de puesta a tierra están conectados a tierra. → Consulte las páginas 9, 11 y 28.
E10X Error del sensor de parachoques	 El sensor de parachoques funciona mal.	Presione el parachoques con la mano unas 10 veces. → Consulte la página 9.
E110 Error de movimiento	 ¿El robot limpiador impacta con un escalón, etc., y se atasca allí?	Traslade el robot limpiador a otra ubicación. → Consulte la página 11.
E12X Menor capacidad de batería restante Error de ajuste del temporizador	 ¿El robot limpiador no puede comenzar a operar con la reserva del temporizador de encendido porque la capacidad de batería restante es insuficiente?	Cuando comience a operar con la reserva del temporizador de encendido, asegúrese de que las baterías estén completamente cargadas.
E140 Error de ajuste de la habitación Error de información de la ubicación	 ¿La habitación es distinta de la habitación mapeada o el punto de inicio de la limpieza es distinto? ¿Ha cambiado la disposición de la habitación mapeada? ¿El sensor LiDAR está bloqueado con obstrucciones o suciedad? ¿Hay obstáculos con una altura de 25 cm (9-7/8") o más que el sensor LiDAR pueda detectar cerca del robot limpiador?	Compruebe la habitación mapeada y el punto de inicio de la limpieza. → Consulte la página 18. Vuelva a realizar el mapeo. → Consulte la página 17. Retire la obstrucción, etc., y realice el mantenimiento del sensor LiDAR. → Consulte la página 28. El sensor LiDAR requiere obstáculos con una altura que supere los 25 cm (9-7/8") dentro de los siguientes rangos: • Radio de 11 m (36,09 pies) del robot limpiador para el mapeo y el modo de limpieza por mapeo. • Radio de 18 m (59,06 pies) del robot limpiador para el modo de limpieza libre. Coloque algunos obstáculos con una altura mayor que 25 cm (9-7/8") en el área.
E170 Error de la tapa superior del robot limpiador	 ¿La tapa superior del robot limpiador está abierta?	Cierre la tapa superior del robot limpiador.
E190 Error debido a la pérdida de una rueda o a que se levantó el robot limpiador	 ¿Hay una rueda salida o está separada del suelo?	Traslade el robot limpiador a otra ubicación. → Consulte la página 11.
E200 Error debido a una falla al volver al punto de inicio Error debido a una falla al ir al destino	 El robot limpiador no pudo volver al punto de inicio de la limpieza. El robot limpiador no pudo pasar al siguiente destino porque entró por un pasillo estrecho.	• Si hay objetos que obstruyen el paso del robot limpiador, retírelos o mantenga el robot limpiador alejado de dichos objetos. → Consulte la página 21. • Si con frecuencia el robot limpiador no regresa al punto de inicio, active [Priorizar guiado] en la aplicación. El tiempo necesario para volver al punto de inicio puede ser mayor. → Consulte la página 44. • Asegúrese de que haya un camino de 80 cm (31-1/2") o más para la limpieza.

Detección y resolución de problemas

Antes de solicitar una reparación o realizar una consulta, compruebe si alguna de las siguientes opciones se aplica a su caso.

Fuente de alimentación

Síntoma	Causa	Acción
<ul style="list-style-type: none"> • Pulsar el botón de inicio/parada no apaga el dispositivo. • La lámpara no se enciende. • No hay respuesta al pulsar los botones del robot limpiador y el mando a distancia. 	¿Las baterías están colocadas correctamente?	Compruebe que las baterías estén colocadas adecuadamente. → Consulte la página 15.
	¿Se agotó la capacidad de batería?	Compruebe la capacidad restante.
	¿El robot limpiador está apagado?	Pulse el botón de inicio/parada del robot limpiador para encenderlo. → Consulte la página 16.

Operación en marcha

Síntoma	Causa	Acción
El robot limpiador no se mueve.	¿La lámpara de error parpadea?	El robot limpiador no se mueve cuando tiene un error. → Consulte la página 29.
	¿El robot limpiador está en modo en espera para la operación con reserva del temporizador de encendido?	Cuando el modo en espera para la operación con reserva está activado, no se permiten las operaciones distintas del apagado y la notificación de ubicación. → Consulte la página 20.
El robot limpiador comienza a moverse repentinamente, a pesar de que usted no realiza ninguna operación.	¿La reserva del temporizador de encendido está habilitada?	→ Consulte la página 20.
El robot limpiador se detiene al desplazarse.	¿El robot limpiador se atasca con un cable u otro objeto? ¿Hay un paño o una cuerda (por ejemplo, de una toalla fina) atascado en las ruedas?	Apague el robot limpiador y retire los objetos atascados en el robot limpiador y las ruedas. → Consulte la página 28.
	¿El robot limpiador se detuvo sin subir un escalón?	Apague el robot limpiador y ubíquelo en otro lugar. → Consulte la página 11.
	¿El temporizador de apagado está apagado?	→ Consulte la página 20.
	¿Hay obstáculos con una altura de 25 cm (9-7/8") o más que el sensor LiDAR pueda detectar cerca del robot limpiador?	El sensor LiDAR requiere obstáculos con una altura que supere los 25 cm (9-7/8") dentro de los siguientes rangos: <ul style="list-style-type: none"> • Radio de 11 m (36,09 pies) del robot limpiador para el mapeo y el modo de limpieza por mapeo. • Radio de 18 m (59,06 pies) del robot limpiador para el modo de limpieza libre. Coloque algunos obstáculos con una altura mayor que 25 cm (9-7/8") en el área.
La velocidad cambia.	El robot limpiador puede reducir su velocidad cuando el sensor detecta un obstáculo o determina la dirección de desplazamiento.	Esto es normal.
El robot limpiador no se desplaza en línea recta.	¿Hay materia extraña en las ruedas?	Apague el robot limpiador y deseche la materia extraña de las ruedas. → Consulte la página 28.
	¿Las ruedas están dañadas?	Solicite su reparación a la tienda donde haya comprado el robot limpiador o nuestra oficina de ventas.
	¿El sensor ultrasónico y el sensor ultrasónico están sucios?	Realice el mantenimiento. → Consulte la página 28.
El robot limpiador impacta contra un obstáculo con mayor frecuencia que antes.	¿El sensor ultrasónico y el sensor ultrasónico están sucios?	Realice el mantenimiento. → Consulte la página 28.
El robot limpiador no evita un escalón y se cae.	¿El sensor de precipicio está sucio?	Realice el mantenimiento. → Consulte la página 28.
	El robot limpiador algunas veces baja un escalón de 3,0 cm (1-3/16") de alto o menos.	No es una falla. → Consulte la página 11.
El robot limpiador sigue evitando ciertas ubicaciones a pesar de que no hay obstáculos ni escalones.	¿Los sensores de precipicio y el sensor ultrasónico están sucios?	Realice el mantenimiento. → Consulte la página 28.
El sensor de precipicio se ensucia rápidamente.	¿La línea de puesta a tierra está cortada y no hace contacto con tierra?	Solicite su reparación a la tienda donde haya comprado el robot limpiador o nuestra oficina de ventas.
El sonido de desplazamiento es más fuerte de lo normal.	¿La caja recolectora de polvo está llena de polvo? ¿El filtro está obstruido?	Deseche el polvo y realice el mantenimiento del filtro. → Consulte las páginas 22 y 25.
	¿Hay polvo en el cepillo principal y los cepillos laterales?	Realice el mantenimiento. Además, compruebe que los cepillos estén colocados adecuadamente. → Consulte la página 26.
El ventilador extractor emite un sonido fuerte durante la operación.	El volumen aumenta cuando el robot limpiador comienza a utilizar el cartucho de batería.	Esto es normal.
<ul style="list-style-type: none"> • La potencia de succión es débil. • No se aspira el polvo. 	¿La caja recolectora de polvo está llena de polvo? ¿El filtro está obstruido?	Deseche el polvo y realice el mantenimiento del filtro. → Consulte las páginas 22 y 25.
	¿El ventilador extractor está apagado?	Compruebe el ajuste. → Consulte la página 19.

Síntoma	Causa	Acción
Un cepillo lateral se sale.	¿El cepillo lateral está bien instalado?	Compruebe que esté bien instalado. → Consulte la página 14.
Un cepillo lateral o el cepillo principal no gira, le cuesta girar o está atascado.	¿Hay materia extraña, como pelusas o cabellos, en los cepillos laterales o el cepillo principal?	Realice el mantenimiento. Además, compruebe que el cepillo principal y la tapa del cepillo principal estén bien colocados. → Consulte la página 26.
	El robot limpiador no puede utilizarse sobre una alfombra con hilos de más de 7 mm (9/32") de largo. Incluso si el hilo mide 7 mm (9/32") de largo o menos, es posible que el robot limpiador se detenga o que el hilo se atasque en los cepillos laterales de acuerdo con el material del hilo u otras propiedades.	→ Consulte la página 11.
El aire extraído tiene un aroma desagradable.	¿Se aspiró basura humedecida o con aroma desagradable?	Deseche la basura. → Consulte la página 22.
	¿El filtro está obstruido?	Realice el mantenimiento del filtro. Cuando lo haya lavado con agua, séquelo bien antes de utilizarlo. → Consulte la página 25.

Operación del mando a distancia

Síntoma	Causa	Acción
El mando a distancia no funciona.	¿Las baterías del mando a distancia están bien colocadas?	Compruebe la orientación de las baterías. → Consulte la página 14.
	Si el robot limpiador no reacciona algunas veces cuando lo opera con el mando a distancia, es posible que las baterías estén por llegar a su fin de vida útil. (El criterio para su sustitución es un año de vida útil. La batería puede agotarse en menos de un año de acuerdo con la batería que se utilice y las condiciones de uso).	Sustituya las baterías por unidades nuevas. → Consulte la página 14.
	¿El robot limpiador está apagado?	Pulse el botón de inicio/parada del robot limpiador para encenderlo. → Consulte la página 16.
	Existe la posibilidad de que la distancia entre el mando a distancia y el robot limpiador sea demasiado larga para alcanzar adecuadamente las ondas de radio.	Procure tener una visión sin obstrucciones; acorte la distancia entre el mando a distancia y el robot limpiador y reubique los obstáculos. → Consulte la página 12.
No se puede operar el robot limpiador con el mando a distancia	Es posible que los siguientes equipos que utilizan ondas de radio en la banda de frecuencia 2.4 GHz estén en funcionamiento cerca del robot limpiador. <ul style="list-style-type: none"> • Horno microondas • Dispositivos con Bluetooth® • Dispositivos LAN inalámbricos • Otros equipos que utilizan ondas de radio en la banda de frecuencia de 2,4 Ghz (como teléfonos digitales y máquinas de video juegos). 	Establezca una mayor distancia entre el robot limpiador y el mando a distancia o suspenda temporalmente el uso de estos dispositivos.
	Cuando haya sustituido el mando a distancia por uno nuevo, emparéjelo con el robot limpiador.	→ Consulte la página 24.
	Si no puede operar el robot limpiador con el mando a distancia después de analizar las posibles causas indicadas, apague el robot limpiador y vuelva a encenderlo.	→ Consulte la página 16.

Panel de operaciones

Síntoma	Causa	Acción
La hora configurada se restablece con frecuencia.	La batería integrada está prácticamente agotada porque el robot limpiador no se ha utilizado durante un período prolongado.	Opere el robot limpiador durante más de una hora o colóquelo en modo en espera. (La batería integrada se recargará).

Función del temporizador

Síntoma	Causa	Acción
La operación con la reserva del temporizador de encendido no comienza a la hora especificada.	El robot limpiador no comienza a operar de acuerdo con la reserva del temporizador de encendido si alguna de las siguientes condiciones se aplica al comienzo de la operación con la reserva del temporizador de encendido. <ul style="list-style-type: none"> • El robot limpiador está apagado. • Cuando la capacidad de batería es insuficiente. 	→ Consulte la página 20.
	¿La lámpara del temporizador no se enciende?	Si el robot limpiador está apagado o la capacidad de batería se agota después de configurar la reserva, la lámpara del temporizador se apaga. → Consulte la página 11.

Mapeo

Síntoma	Causa	Acción
<ul style="list-style-type: none"> • El robot limpiador se detiene durante el mapeo. • No se puede realizar el mapeo. 	¿La habitación está oscura durante el mapeo?	Ilumine bien la habitación hasta finalizar el mapeo.
	No hay obstáculos de 25 cm (9-7/8") de alto o más en un radio de 11 m (36,09 pies) del robot limpiador.	Es posible que el entorno no sea ideal para el mapeo. Recomendamos el modo de limpieza libre. → Consulte la página 17.



Síntoma	Causa	Acción
El robot limpiador comienza a limpiar en lugar de mapear.	¿Ya se ha seleccionado un número de habitación registrado?	Seleccione un número de habitación no registrado o elimine un mapa registrado. → Consulte las páginas 17 y 18.
<ul style="list-style-type: none"> El mapa no está registrado. El mapa está incompleto. (Hay un área no registrada). 	La forma de la habitación, la disposición de los obstáculos o hay otras características demasiado complejas.	Asegúrese de que haya un camino de 80 cm (31-1/2") o más para la limpieza. Ordene la habitación. → Consulte la página 12.
		Es posible que la capacidad de batería sea insuficiente. Cargue por completo las baterías y realice el mapeo.
	Puede agregar información de mapeo manualmente. → Consulte la página 41.	
	El robot limpiador se levantó durante el mapeo.	No levante el robot limpiador durante el mapeo. Es posible que la información de la habitación no se haya registrado correctamente.

Aplicación

Síntoma	Causa	Acción
No se puede establecer la conexión con la aplicación.	¿Se pulsó el botón de conexión con smartphone del robot limpiador?	Pulse el botón de conexión con smartphone para conectarse a la aplicación. → Consulte la página 35.
	¿Está habilitado el ajuste de Wi-Fi® del smartphone?	Habilite el ajuste de Wi-Fi® del smartphone.
	Existe la posibilidad de que la distancia entre el smartphone y el robot limpiador sea demasiado larga para alcanzar adecuadamente las ondas de radio.	Procure tener una visión sin obstrucciones; acorte la distancia entre el smartphone y el robot limpiador y reubique los obstáculos. → Consulte la página 12.
	La conexión con el robot limpiador ha fallado.	Para iPhone: Diríjase al menú Ajustes en iOS y habilite el ajuste de red local para Makita Robotic Cleaner DRC300. Para Android: Si aparece un mensaje emergente que le pregunte si desea mantener la conexión después de establecer la conexión Wi-Fi, permítala.
	Es posible que el robot limpiador no haya adquirido la información de ubicación. (El nombre del robot limpiador se muestra como "null" en la pantalla de ingreso del código PIN).	Habilite el ajuste de información de ubicación del smartphone.

Función de protección

Cuando cualquiera de las siguientes condiciones se establezca mientras el robot limpiador opera, el motor se detiene automáticamente. Esto se debe a una función de protección, no a una falla.

Función de protección
El motor se detiene automáticamente si la batería alcanza una alta temperatura. <ul style="list-style-type: none"> Detenga la limpieza y retire las baterías del robot limpiador. Luego, cargue y enfríe las baterías con un cargador con sistema de refrigeración o espere a que las baterías se enfríen. Si el robot limpiador no funciona incluso con las baterías refrigeradas, enfríe el robot limpiador. Si aparece un número de error en el robot limpiador, elimine la causa del error. (Consulte la página 29).
El robot limpiador se detiene automáticamente si la carga de la batería se agota, entra al modo de suspensión y se apaga por completo si la carga restante se agota. <ul style="list-style-type: none"> Retire las baterías del robot limpiador y cargue las baterías.
El robot limpiador se detiene automáticamente si se detecta un error. <ul style="list-style-type: none"> Compruebe el número de error y elimine la causa. Después de eliminar la causa, podrá volver a utilizar el robot limpiador. (Consulte la página 29).

Almacenamiento

Apague el robot limpiador y retire las baterías antes de almacenar el robot limpiador.

No almacene el robot limpiador en estos lugares, ya que este dispositivo es una máquina de precisión. Esto puede producir calentamiento, incendio, fallas, deterioro de las piezas de goma, etc.

- Lugares donde aumenta repentinamente la temperatura.
- Lugares donde cae repentinamente la temperatura.
- Lugares donde cambia repentinamente la temperatura.
- Cerca de llamas, calefactores, equipos de calefacción y refrigeración, etc.
- En exteriores.
- Lugares expuestos a la luz natural directa.
- Lugares expuestos a humedad o vapor.
- Lugares con mucho polvo y arena.
- Lugares con humo.
- Lugares con una ventilación deficiente.

Si el robot limpiador se mantiene en almacenamiento y sin utilizarse durante un período prolongado, su rendimiento puede verse afectado. Para utilizar el robot limpiador durante muchos años, enciéndalo y utilícelo de vez en cuando.



Accesorios opcionales

PRECAUCIÓN

Recomendamos utilizar estos accesorios o acoplamientos con la herramienta de Makita especificada en este manual. El uso de cualquier otro accesorio o acoplamiento puede presentar riesgos de lesión a las personas. Utilice los accesorios o acoplamientos únicamente para el fin para el que fueron diseñados.

Si necesita ayuda para obtener más información sobre estos accesorios, consulte al Centro de mantenimiento local de Makita.

- Línea de demarcación magnética
- Cepillo principal
- Cepillo suave principal
- Cepillo lateral
- Cepillo suave lateral
- Filtro HEPA
- Tapa del cepillo principal
- Amortiguación del parachoques
- Cargador y batería original de Makita

AVISO

- Algunos elementos de la lista pueden estar incluidos en el paquete de la herramienta como accesorios estándares. Esto puede variar según el país.
- Para evitar que se realice un reconocimiento falso al utilizar la amortiguación del parachoques, no coloque la amortiguación del parachoques en las siguientes áreas: El área de la extensión lateral de los sensores ultrasónicos y las áreas superior e inferior a 28 mm (1,1") de los sensores ultrasónicos.

Aplicación para smartphone (para DRC300)

Índice

• Qué puede hacer con la aplicación-----	35
• Instalación de la aplicación-----	35
• Preparación por anticipado -----	35
• Instalación de la aplicación en un smartphone-----	35
• Ajuste inicial -----	35
• Pantalla de inicio -----	36
• Limpieza con la aplicación -----	36
• Limpieza de una habitación sin mapeo (modos de limpieza libre)-----	36
• Limpieza de habitaciones mapeadas -----	37
• Operación del robot limpiador con la aplicación-----	38
• Revisar el historial de limpieza -----	38
• Revisión del último historial -----	38
• Revisión de historiales pasados -----	39
• Revisión de historiales de errores-----	39
• Agregar, cambiar o eliminar la información de mapeo -----	40
• Agregar información de mapeo -----	40
• Agregar información de mapeo manualmente (mapeo manual) ---	41
• Cambio del nombre de la información de mapeo-----	42
• Limitación del rango de limpieza-----	42
• Eliminación de la información de mapeo -----	43
• Cambio y comprobación de ajustes -----	44
• Cambio del nombre de un robot limpiador registrado -----	44
• Configuración de las opciones de limpieza -----	44
• Cambio del código PIN -----	45
• Eliminación de la información de un robot limpiador registrado ---	45
• Revisión de la información de la aplicación -----	46
• Mensaje de error/diálogo-----	46

Qué puede hacer con la aplicación

Puede utilizar un smartphone con la aplicación específica del robot limpiador instalada para hacer lo siguiente:

- Limpieza
- Operación del mando a distancia
- Agregar, cambiar o eliminar la información de mapeo
- Revisar el historial de limpieza
- Cambiar los ajustes del robot limpiador

AVISO

- Esta aplicación se utiliza en un smartphone y no funciona con tabletas ni PC.
- El smartphone y el robot limpiador se conectan directamente con la función Wi-Fi®. Tenga en cuenta que Internet no estará disponible durante la conexión al robot limpiador. Después de utilizar la aplicación, recuerde pulsar el botón de conexión con smartphone para desconectarse del smartphone.
- Para utilizar la aplicación, debe otorgar su permiso para obtener la información de la ubicación y aceptar los términos de uso. El usuario debe determinar si otorga su permiso para obtener la información de la ubicación y aceptar los términos de uso.
- Las imágenes de la pantalla de la aplicación están sujetas a cambio sin previo aviso.

Instalación de la aplicación

Preparación por anticipado

Para utilizar la aplicación, necesitará un smartphone (Android o iOS).

- Android: Se requiere Android versión 6.0 o superior.
- iOS (iPhone): se requiere iOS 12 o superior.

Instalación de la aplicación en un smartphone

1. Utilice su smartphone para buscar "Makita Robotic Cleaner DRC300" en Google Play™ o App Store.
También puede acceder a la aplicación con el código QR.

Google Play™



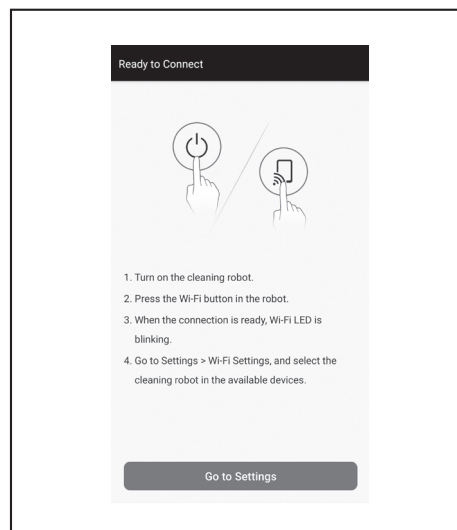
App Store



2. Instale "Makita Robotic Cleaner DRC300".
3. Después de la instalación, inicie la aplicación "Makita Robotic Cleaner DRC300".

Ajuste inicial

1. Cuando aparezca una pantalla que le pida permiso para adquirir la información de la ubicación, toque [OK].
2. En la pantalla de términos de uso, toque [Acepto].
3. Siga las instrucciones en pantalla:
 - Encienda el robot limpiador y pulse el botón de conexión con smartphone en el robot limpiador. Después de pulsar el botón de conexión con smartphone, el robot limpiador tardará unos 8 segundos en prepararse para la conexión. Cuando la conexión esté lista, el LED del Wi-Fi parpadeará.
 - Después de eso, toque [Ir a Configuración] para ver la pantalla de ajustes del Wi-Fi® en el smartphone.



De acuerdo con su dispositivo, quizás deba seguir este procedimiento.

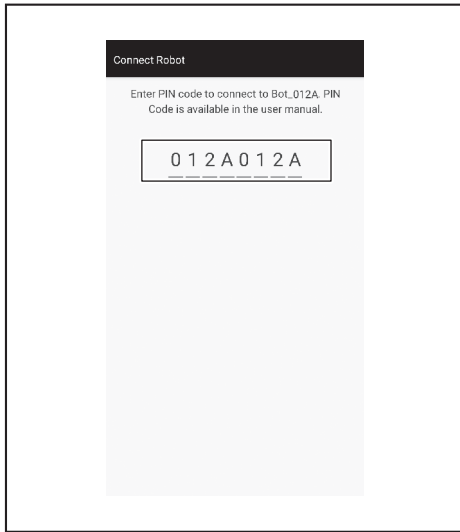
Para iPhone:

Diríjase al menú Ajustes en iOS y habilite el ajuste de red local para Makita Robotic Cleaner DRC300.

Para Android:

Si aparece un mensaje emergente que le pregunte si desea mantener la conexión después de establecer la conexión Wi-Fi, permítala.

- Conecte el smartphone al robot limpiador por Wi-Fi®.
(Esta NO es una conexión por Bluetooth).
 - Solo deberá configurar la conexión por Wi-Fi® (e ingresar una contraseña) cuando se conecte al robot limpiador por primera vez.
 - La contraseña inicial para la conexión Wi-Fi® está compuesta por caracteres alfanuméricos que repiten dos veces los últimos cuatro dígitos de la SSID del robot limpiador. Por ejemplo, si se muestra la SSID "Robotic_Cleaner_012A", la contraseña será "012A012A".
 - Asegúrese de que el smartphone no pueda acceder a otras redes Wi-Fi® durante la conexión con el robot limpiador.
- Salga de la pantalla de ajustes del Wi-Fi® y acceda a la pantalla de la aplicación. Después de eso, introduzca el código PIN para autenticar la conexión.
 - El código PIN configurado de fábrica está compuesto por caracteres alfanuméricos que repiten dos veces los últimos cuatro dígitos de la SSID.
 - Si la SSID es "Robotic_Cleaner_012A", el código PIN configurado de fábrica será "012A012A".
 - La pantalla de inicio de la aplicación aparecerá cuando se autentique exitosamente el código PIN.



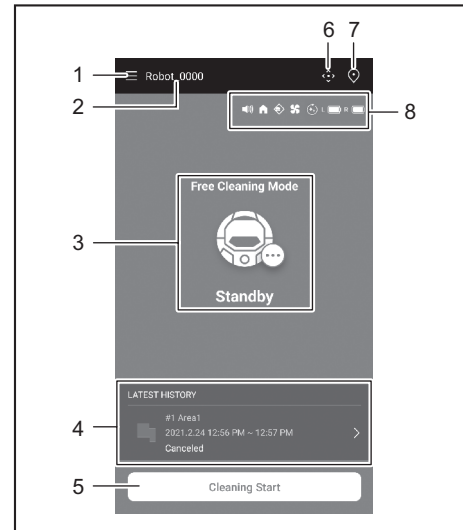
- Cambie el código PIN.
 - Asegúrese de cambiar el código PIN. No utilice el código PIN predeterminado. Consulte la página 45 para ver cómo cambiar el código PIN.
 - No se olvide del código PIN nuevo que cree.
- Terminará con el ajuste inicial cuando aparezca "Código PIN cambiado". Vuelva a la pantalla de inicio para utilizar la aplicación.

Para desconectar el Wi-Fi, pulse el botón de conexión con smartphone en el robot limpiador para apagar la lámpara de conexión con smartphone.








AVISO

Si su conexión se desconecta repentinamente, cierre la aplicación e intente restablecer la conexión.

Pantalla de inicio



- Botón de menú (diversos ajustes, revisión del historial)
- Nombre del robot limpiador
- Estado de funcionamiento del robot limpiador
- Último registro de limpieza (solo se muestra si hay un registro)
- Botón de inicio de la limpieza (o el mapeo)
- Botón del mando a distancia
- Botón de cambio de modo
- Ajustes del robot limpiador y capacidad de batería restante


-  : El ajuste de sonido está activado.
-  : El ajuste de la función Priorizar guiado está activado.
-  : La función de detección de demarcación está activada.
-  : El ajuste del ventilador extractor está activado.
-  : El ajuste de limpieza continua está activado.
-  : Capacidad restante de la batería izquierda
-  : Capacidad restante de la batería derecha

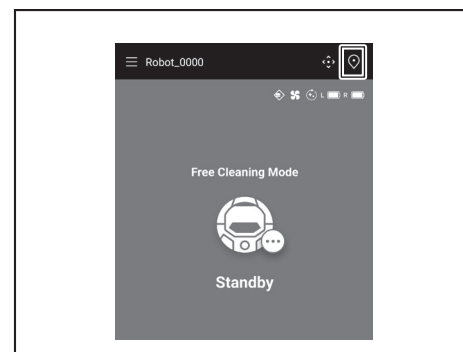
Limpieza con la aplicación

El robot limpiador funciona con dos modos: el modo de limpieza libre, que no requiere el registro de mapeo; y el modo de limpieza por mapeo (consulte "Limpieza de habitaciones mapeadas" en la página 37), que requiere el registro de la información de la habitación para la limpieza.

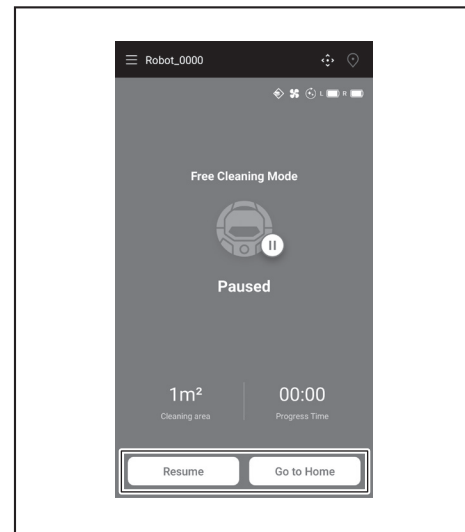
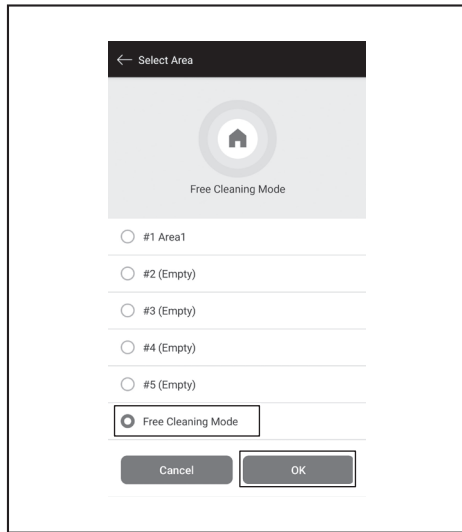
Limpieza de una habitación sin mapeo (modo de limpieza libre)

- El modo de limpieza libre se recomienda para la limpieza de varias habitaciones o en un entorno que tenga cambios de disposición frecuentes e importantes.
- También se recomienda el modo de limpieza libre para una habitación que no esté bien iluminada.
- Para la limpieza, el mapeo y la ubicación para iniciar el robot limpiador, consulte la página 17.

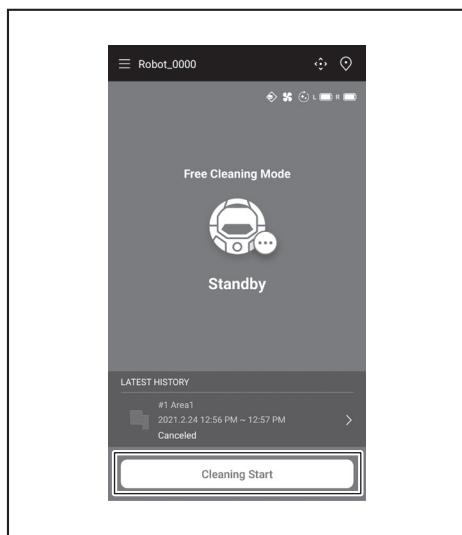
- En la pantalla de inicio, toque .



2. Toque [Modo de limpieza libre] y luego toque [OK].



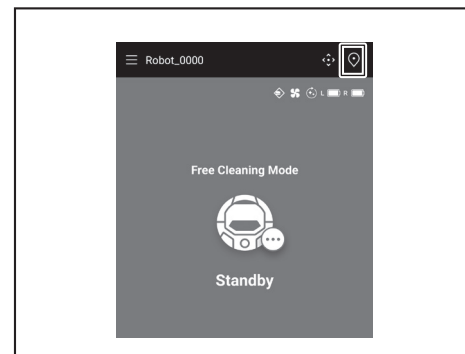
3. En la pantalla de inicio, toque [Iniciar limpieza] para que el robot limpiador comience a limpiar.



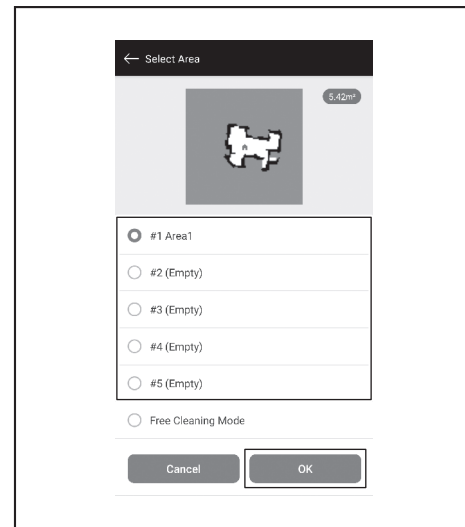
Limpeza de habitaciones mapeadas

- En el modo de limpieza por mapeo, el robot limpiador opera de forma tal que las habitaciones mapeadas se limpian con mayor eficiencia.
- El uso del modo de limpieza por mapeo requiere que se registre la información de mapeo. (Consulte la página 40.)

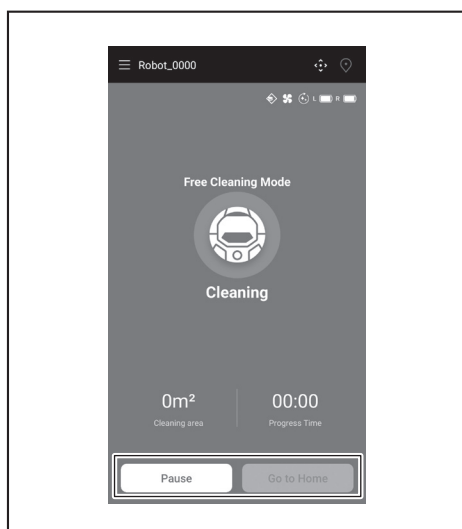
1. En la pantalla de inicio, toque .



2. Toque en la habitación que desea limpiar y, luego, toque [OK].
 - Puede agregar, cambiar y eliminar un mapa. (Consulte la página 40.)

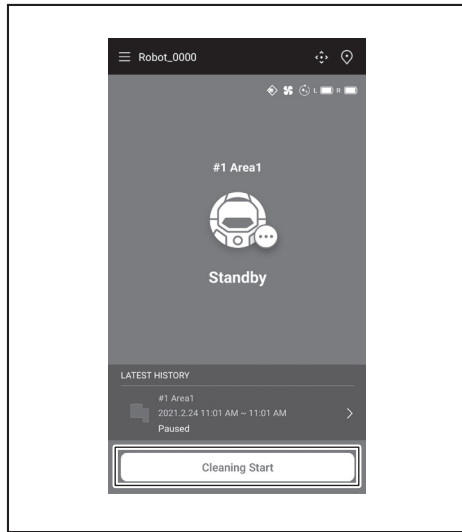


4. Puede controlar el robot limpiador con estas operaciones.
 - Si toca [Pausar], el robot limpiador detendrá la limpieza temporalmente.
 - Si toca [Reanudar] cuando el robot limpiador pausado, reanuda la limpieza.
 - Si toca [Ir a inicio] cuando el robot limpiador está pausado, vuelve al punto de inicio de la limpieza. Cuando el robot limpiador vuelve al punto de inicio, la aplicación regresa a la pantalla de inicio. Esta operación puede realizarse cuando la limpieza está pausada.

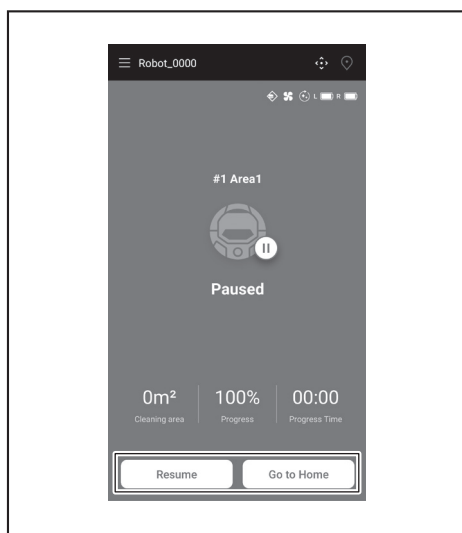
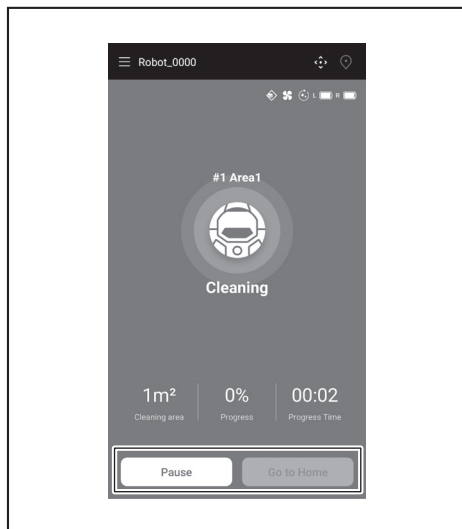


3. Coloque el robot limpiador lo más cerca posible en la misma orientación que cuando comenzó el mapeo. Esto le permite al robot limpiador limpiar con mayor uniformidad.

4. Toque [Iniciar limpieza] para que el robot limpiador comience a limpiar.



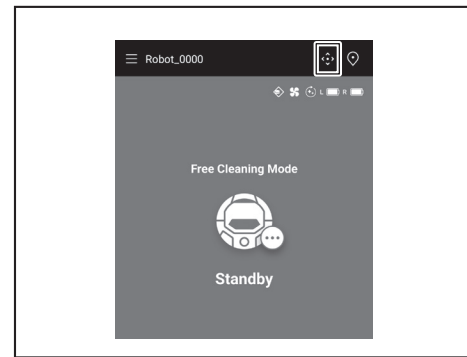
5. Puede controlar el robot limpiador con estas operaciones.
 - Si toca [Pausar], el robot limpiador detendrá la limpieza temporalmente.
 - Si toca [Reanudar] cuando el robot limpiador pausado, reanuda la limpieza.
 - Si toca [Ir a inicio] cuando el robot limpiador está pausado, vuelve al punto de inicio de la limpieza. Cuando el robot limpiador vuelve al punto de inicio, la aplicación regresa a la pantalla de inicio. Esta operación puede realizarse cuando la limpieza está pausada.
 - Si la forma de la habitación no coincide con la información del mapa, aparecerá una pantalla de error y el robot limpiador dejará de limpiar. Compruebe si la habitación seleccionada es la correcta y coloque el robot limpiador en el punto de inicio.
 - Si el robot limpiador se coloca lejos del punto de inicio de acuerdo con la información del mapeo, aparece la pantalla de error.



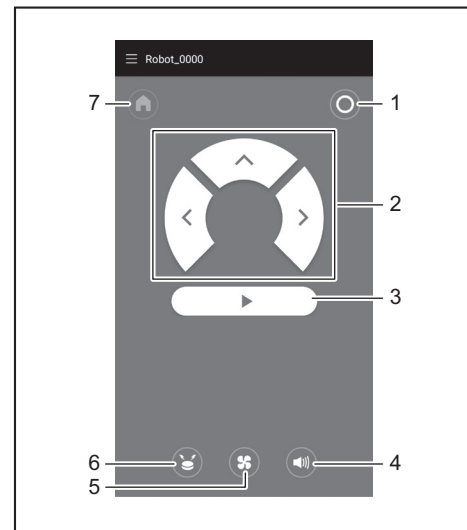
Operación del robot limpiador con la aplicación

Puede operar el robot limpiador con la aplicación del mismo modo que con el mando a distancia incluido con el robot limpiador.

1. En la pantalla de inicio, toque



2. Toque los botones y opere el robot limpiador.
 - Con la aplicación, no podrá hacer que el robot limpiador retroceda.



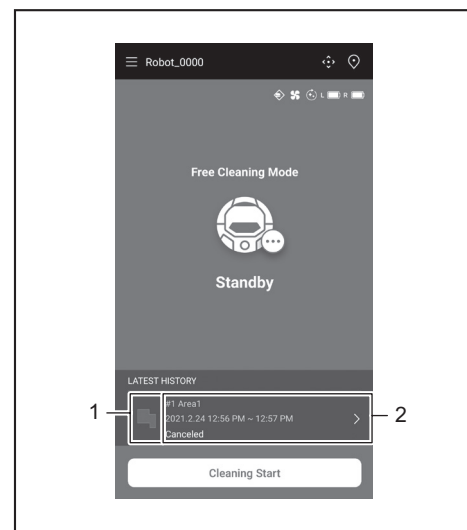
- 1. Botón de apagado 2. Botones de acción 3. Botón de inicio/parada 4. Botón de activación/desactivación del sonido 5. Botón de encendido/apagado del ventilador extractor 6. Botón de zumbador/luz de baliza de localización 7. Botón de punto de inicio

Revisar el historial de limpieza

Desde la aplicación, puede revisar el historial de limpieza en detalle.

Revisión del último historial



En la pantalla de inicio, toque el icono en [ÚLTIMO HISTORIAL].

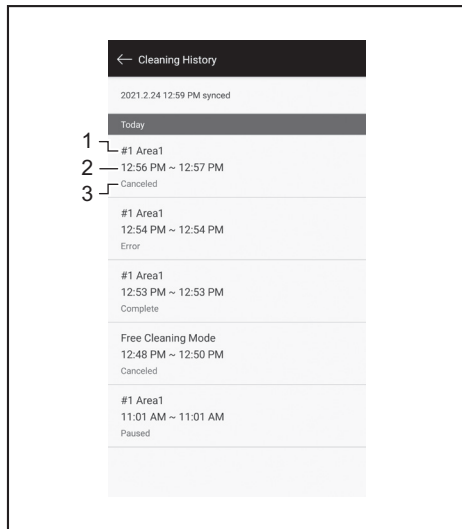


- 1. Icono para ver el último historial 2. Artículo para ver la lista de historiales

Revisión de historiales pasados

Puede registrar hasta 15 historiales. Si ya se han registrado 15 historiales, el historial más con mayor antigüedad será reemplazado por el nuevo historial que se registre.

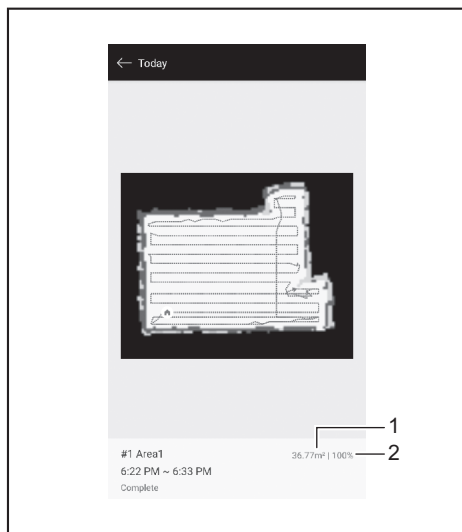
1. En la pantalla de inicio, toque  en [ÚLTIMO HISTORIAL].
Puede tocar  en la pantalla de inicio y luego tocar [Historial de limpieza] para ver los registros pasados.
2. Toque el registro que desea revisar.



- 1. Habitación limpia o modo de limpieza 2. Tiempo en que se limpió la habitación 3. Estado de la limpieza (completada, detenida, error, etc.)

Toque un artículo para ver la información en detalle de cada historial.

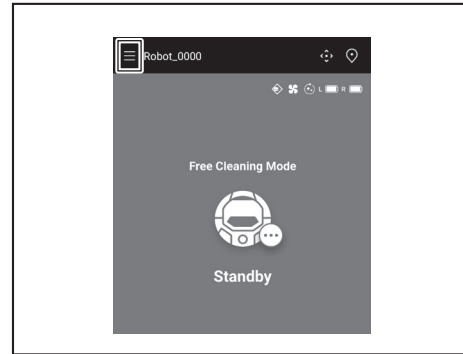
- Línea discontinua azul y verde: La trayectoria del robot limpiador
- Amarillo: El área que ha limpiado el robot limpiador
- Azul: Obstáculos que detectó el sensor del parachoques
- Verde: Obstáculos que detectó el sensor ultrasónico
- Rosa: Escalones que detectó el sensor de precipicio
- Morado: El área en la que el robot limpiador ha detectado la línea de demarcación magnética
- Blanco: El área que el robot limpiador no ha limpiado
- Gris: Las paredes o los obstáculos que detectó el sensor LiDAR



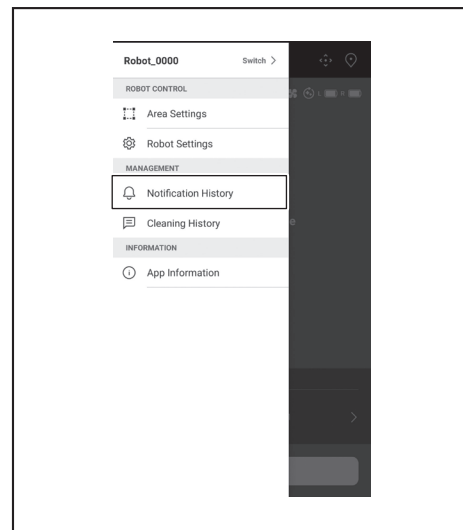
- 1. Tamaño del área de limpieza 2. Cobertura de la limpieza (solo para la limpieza por mapeo)
- El tamaño y la cobertura del área de limpieza no son valores precisos. Utilice esta información como una guía aproximada.

Revisión de historiales de errores

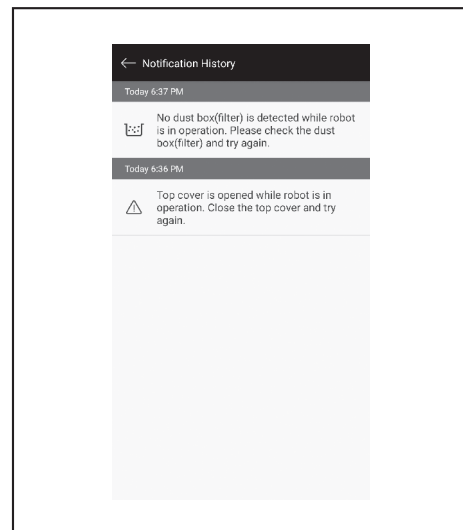
1. En la pantalla de inicio, toque .



2. Toque [Historial de notificaciones].




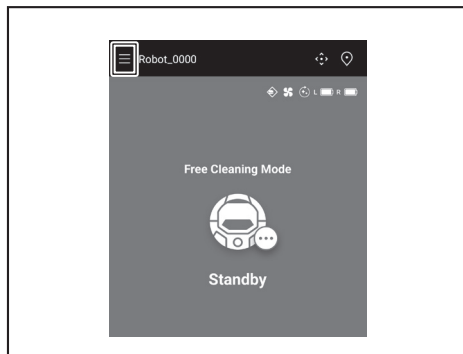
Aparecerán la fecha, la hora y el contenido del error. Puede registrar hasta 10 historiales. Si ya se han registrado 10 historiales, el historial más con mayor antigüedad será reemplazado por el nuevo historial que se registre.



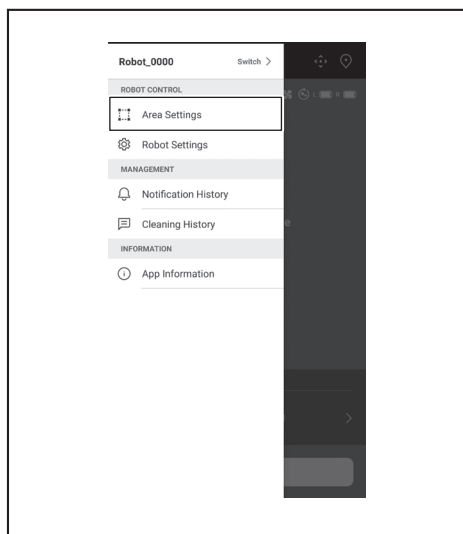
Agregar, cambiar o eliminar la información de mapeo

Puede agregar, cambiar o eliminar la información de mapeo de [Configuración del área] en la ventana del menú.

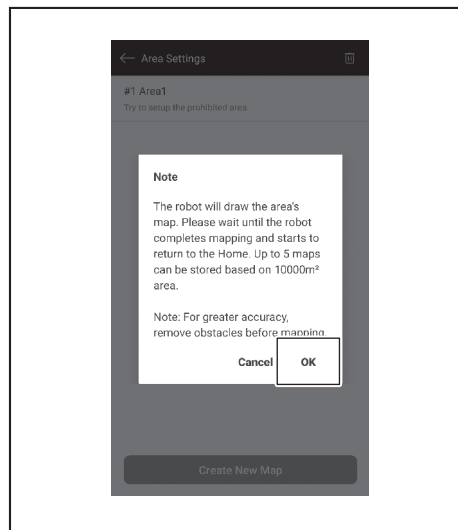
1. En la pantalla de inicio, toque .



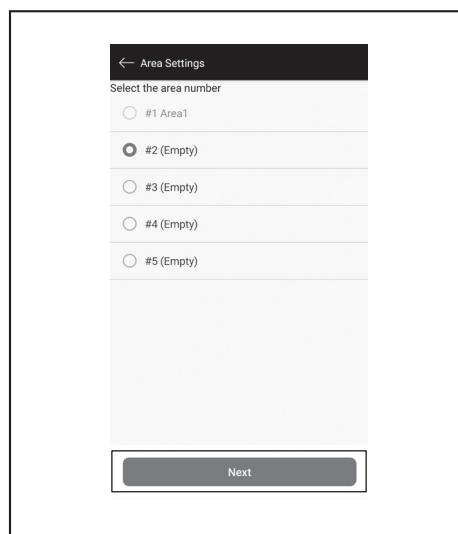
2. Toque [Configuración del área].



2. Se mostrará un aviso. Toque [OK].



3. Seleccione un espacio vacío para guardar la información de mapeo y toque [Siguiente].

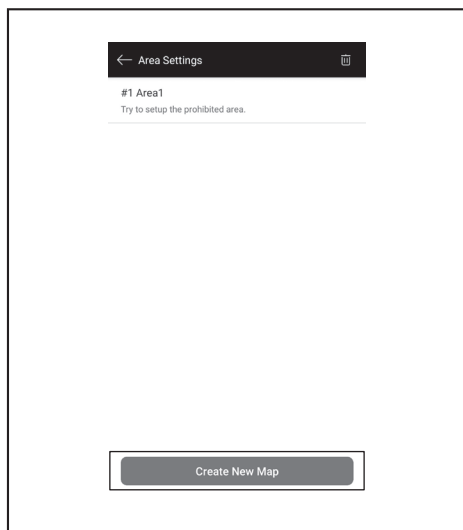


Agregar información de mapeo

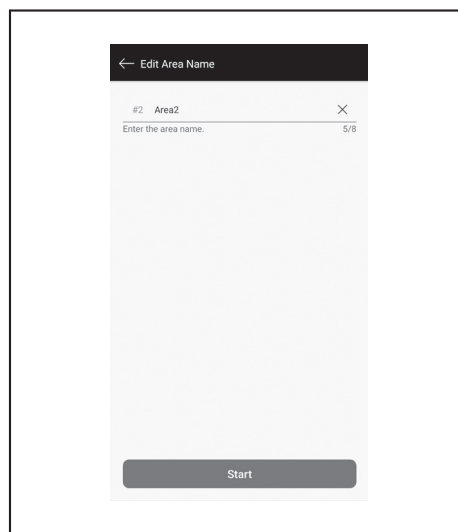
Puede guardar información de hasta 5 mapas con un tamaño de área de hasta 10000 m².

El tamaño del área no indica el tamaño real del área mapeada, sino un área rectangular que abarca toda el área mapeada.

1. En la pantalla [Configuración del área], toque [Crear nuevo mapa].

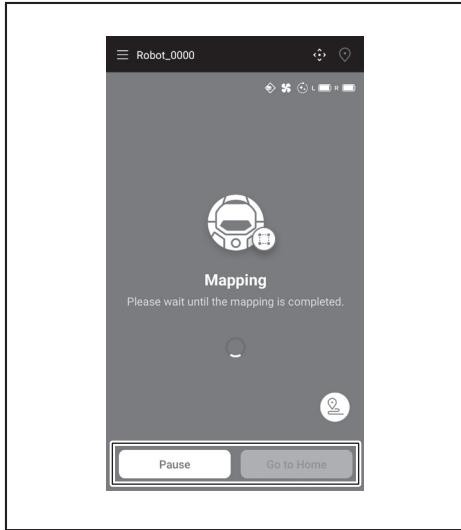


4. Ingrese un nombre de área (de hasta 8 caracteres).

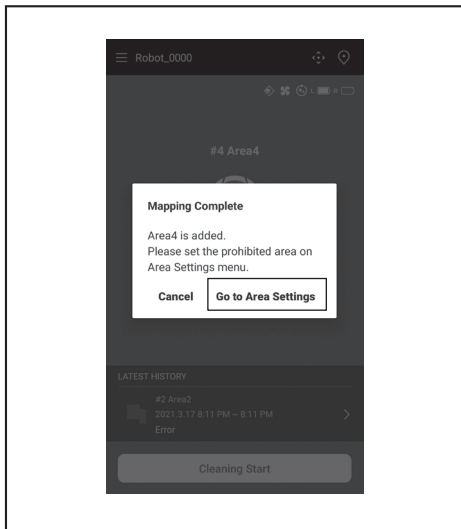


5. Toque [Iniciar].

- El robot limpiador inicia el mapeo.
 - Si toca [Pausar], el robot limpiador detendrá el mapeo temporalmente.
 - Si toca [Ir a inicio] cuando el robot limpiador está pausado, vuelve al punto de inicio del mapeo. Se registra la información de mapeo creada hasta el momento en que tocó esa opción. Cuando el robot limpiador vuelve al punto de inicio, la aplicación regresa a la pantalla de inicio.



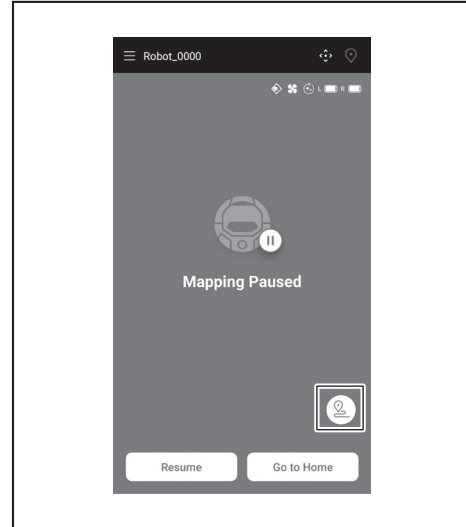
- Después de completar el mapeo, aparece el diálogo para realizar la configuración del área.
 - Si desea limitar el rango de limpieza, toque [Ir a Configuración del área]. (Consulte la página 42).



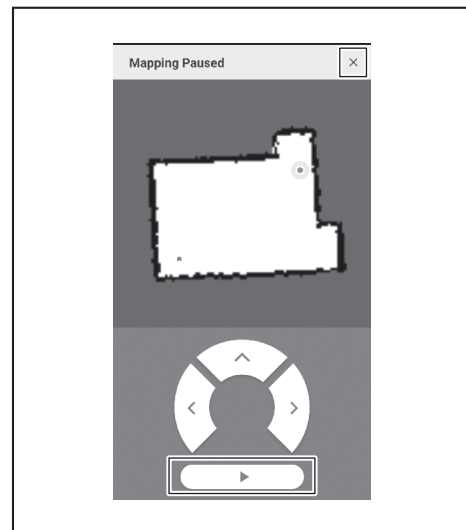
Agregar información de mapeo manualmente (mapeo manual)

Durante el mapeo, puede agregar información de mapeo manualmente con la aplicación. Se recomienda hacer esto cuando mapee una disposición de suelo compleja.

- Toque [Pausar] y luego para ver los botones del mando a distancia.



- Desplace el robot limpiador para rastrear la disposición del suelo con los botones del mando a distancia de la aplicación o del mando a distancia.
 - Después de agregar manualmente la información de mapeo, toque para reanudar el mapeo automático.
 - Si desea salir del mapeo, toque [x] y luego [Ir a inicio] o pulse el botón de punto de inicio en el mando a distancia.

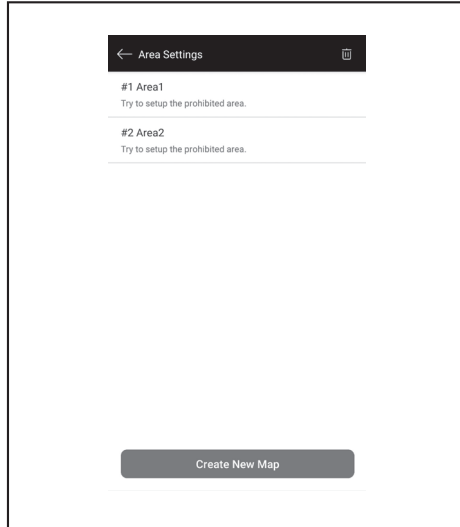


Cambio del nombre de la información de mapeo

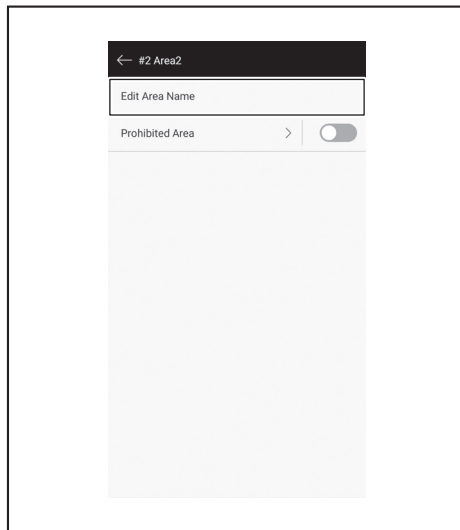
En la pantalla [Configuración del área], toque la información de mapeo que desee cambiar.

Puede tocar un nombre para ir a la pantalla de configuración.

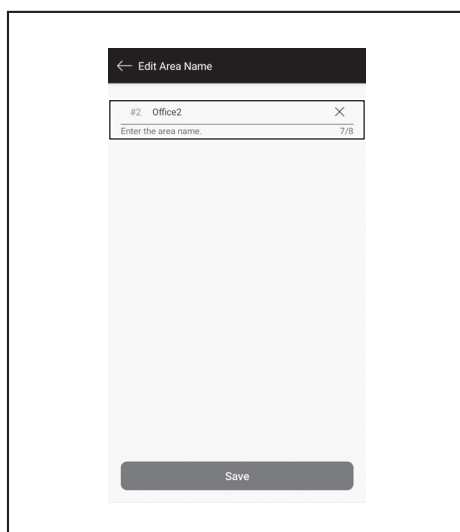
1. En la pantalla [Configuración del área], toque la información de mapeo que desee cambiar.



2. Toque [Editar nombre del área].



3. Edite el nombre (de hasta 8 caracteres).



4. Toque [Guardar] para finalizar con el nombre.

Limitación del rango de limpieza

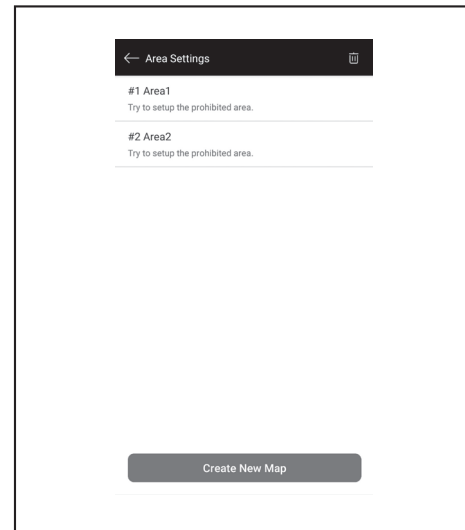
⚠ ADVERTENCIA

No utilice un área prohibida para la limpieza que haya configurado con la aplicación como una línea de demarcación de un área donde pueda producirse un accidente debido a la intrusión o caída del robot limpiador.

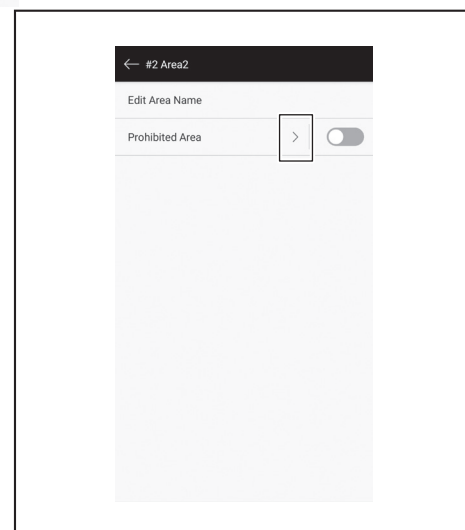
- Esto puede producir accidentes o lesiones debido a la intrusión o caída del robot limpiador. La trayectoria real del robot limpiador puede ser ligeramente distinta de la configuración del área prohibida de limpieza.

Para un área donde haya riesgo de intrusión o caída del robot limpiador, coloque un objeto que funcione como pared con 25 cm (9-7/8") de alto o más (un objeto que no se mueva ni caiga si el robot limpiador impacta con él) sobre una superficie plana. (Consulte la página 23).




1. En la pantalla [Configuración del área], toque la información de mapeo que desee cambiar.

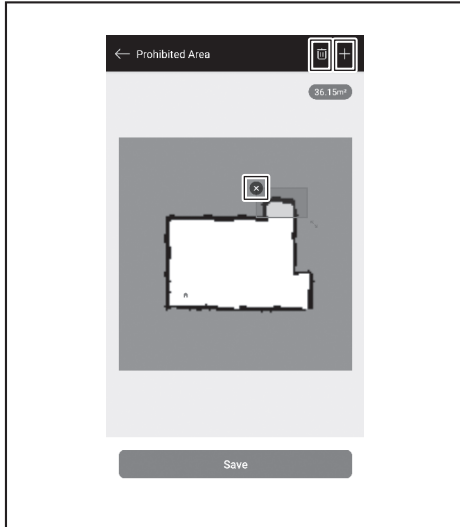


2. Toque > al lado de [Área prohibida].



3. Configure un área prohibida de limpieza.

- Puede tocar  en la esquina superior derecha de la pantalla para agregar un área prohibida de limpieza (puede agregar hasta 100 áreas).
- Puede arrastrar un área prohibida de limpieza para desplazarla.
- Puede arrastrar la esquina inferior derecha de un área prohibida de limpieza para ajustar el tamaño.
- Puede tocar  en la esquina superior izquierda de un área prohibida de limpieza para eliminarla.
- Puede tocar  en la esquina superior derecha de la pantalla para eliminar todas las áreas prohibidas de limpieza.
- No puede establecer un área prohibida de limpieza en un rango de 2 m (6,56 pies) alrededor del punto de inicio.
- De acuerdo con el entorno cerca del área prohibida de limpieza que establezca, es posible que no pueda limpiar alrededor del área especificada.



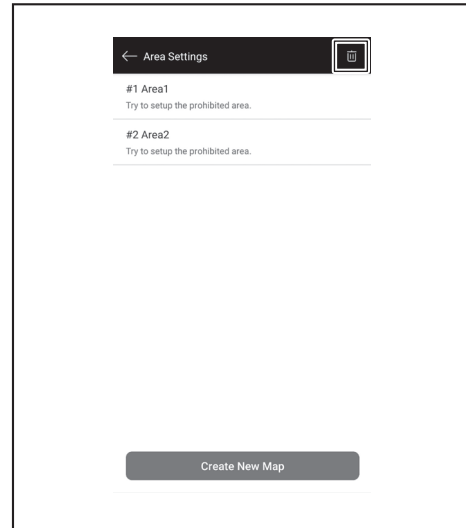
4. Si toca [Guardar], se registra la información de mapeo modificada.

5. Para habilitar un área prohibida de limpieza registrada, toque activar/desactivar (en color verde cuando está activada) al lado de [Área prohibida].



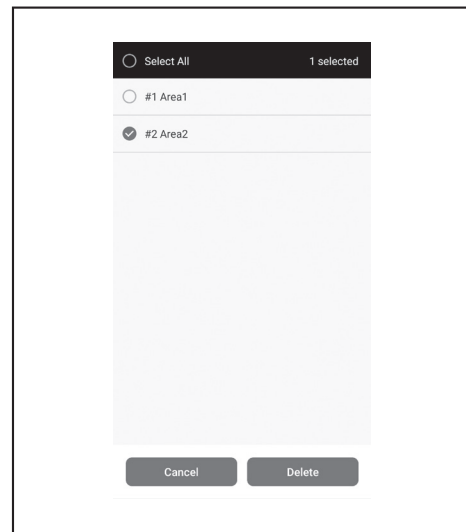
Eliminación de la información de mapeo

1. En la pantalla [Configuración del área], toque .



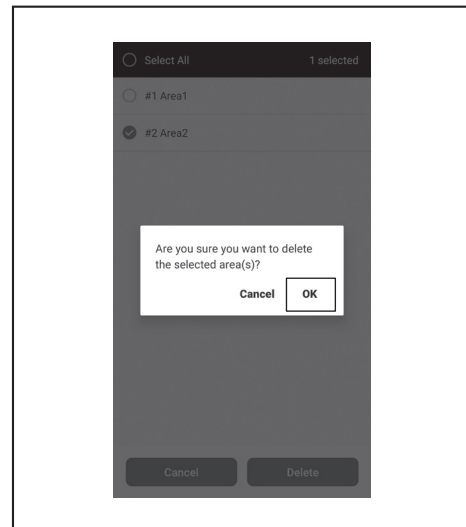
2. Seleccione la información de mapeo que desee eliminar.

- El círculo en el encabezado de la información de mapeo se muestra a color cuando se selecciona dicha información.
- Puede tocar [Seleccionar todo] para seleccionar todos los elementos.



3. Toque [Eliminar].

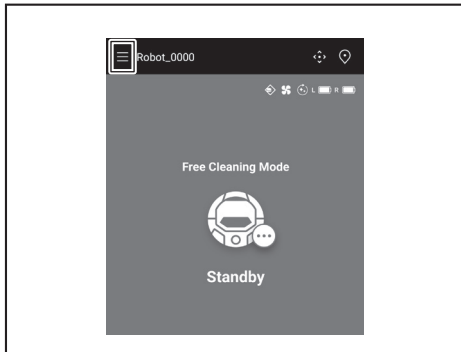
4. Se mostrará un aviso. Toque [OK].



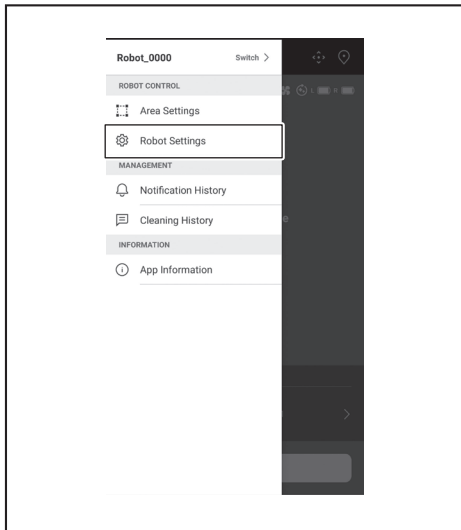
Cambio y comprobación de ajustes

Puede cambiar y comprobar los ajustes en [Configuración del robot] en la ventana del menú.

1. En la pantalla de inicio, toque .



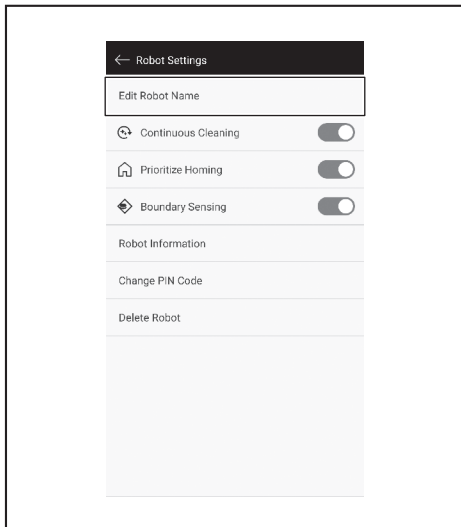
2. Toque [Configuración del robot].



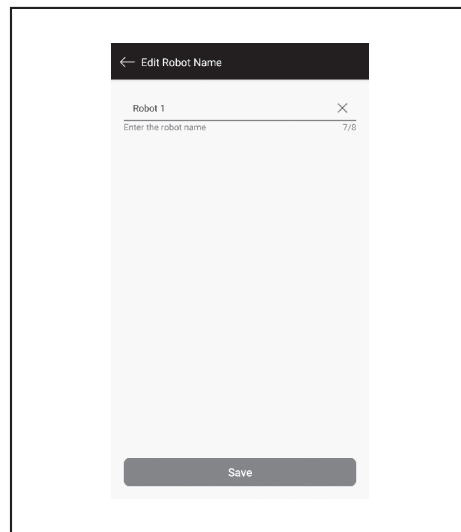
Cambio del nombre de un robot limpiador registrado

Este ajuste solo cambia el nombre del robot limpiador en la aplicación. La SSID para Wi-Fi® no cambiará.

1. En la pantalla [Configuración del robot], toque [Editar nombre del robot].



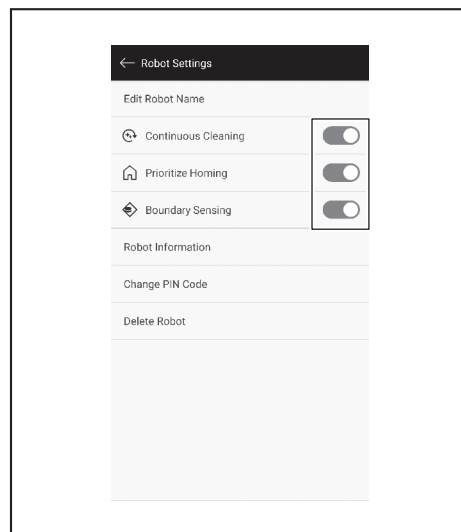
2. Ingrese un nombre nuevo (de hasta 8 caracteres).



3. Cuando haya terminado de ingresar el nombre, toque [Guardar].

Configuración de las opciones de limpieza

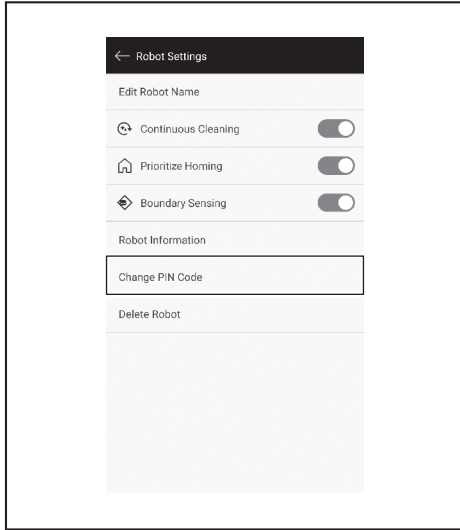
1. En la pantalla [Configuración del robot], toque activar/desactivar (en color verde cuando está activada) al lado de [Limpieza continua] o [Priorizar guiado] si es necesario.
 - [Limpieza continua]: Elija esta opción cuando la capacidad de batería se agote antes de que el robot limpiador termine de limpiar el área limpia y quiera reanudar más adelante la limpieza del área que haya quedado sucia.
 - [Priorizar guiado]: Este ajuste se recomienda cuando el robot limpiador no regresa al punto de inicio de la limpieza. El robot limpiador comienza a volver al punto de inicio de la limpieza siempre que haya una mayor capacidad de batería restante de lo normal.
 - [Detección de límites]: Elija esta opción cuando utilice la línea de demarcación magnética. El robot limpiador detecta la línea de demarcación magnética como el límite. (Consulte la página 11).



Cambio del código PIN

El código PIN del robot limpiador puede cambiarse. Si olvida el código PIN que haya configurado, consulte "Limpieza de habitaciones mapeadas" en la página 18 para restablecer el robot limpiador a la configuración de fábrica. Para comprobar el código PIN configurado de fábrica, consulte "Ajuste inicial" en la página 35.

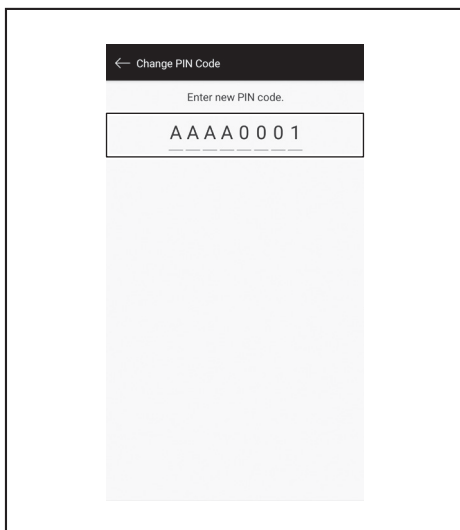
1. En la pantalla [Configuración del robot], toque [Cambiar código PIN].



2. Introduzca el código PIN actual (ocho dígitos).

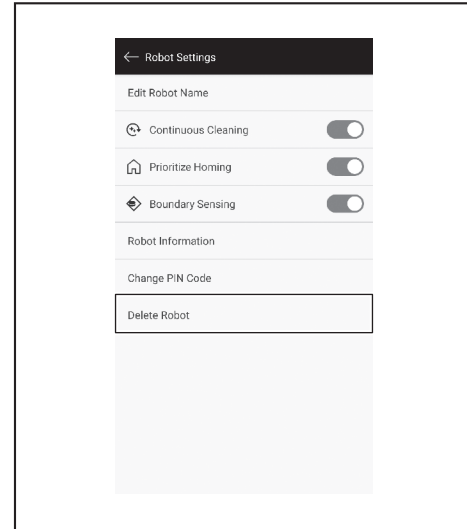


3. Introduzca el código PIN nuevo (ocho dígitos) que desee configurar. Introduzca el código PIN nuevo dos veces consecutivas.

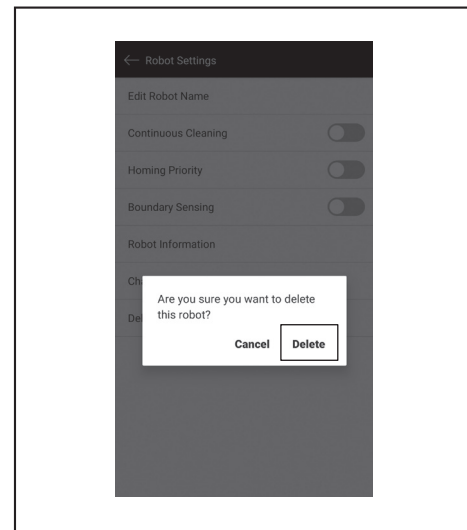


Eliminación de la información de un robot limpiador registrado

1. En la pantalla [Configuración del robot], toque [Eliminar robot].

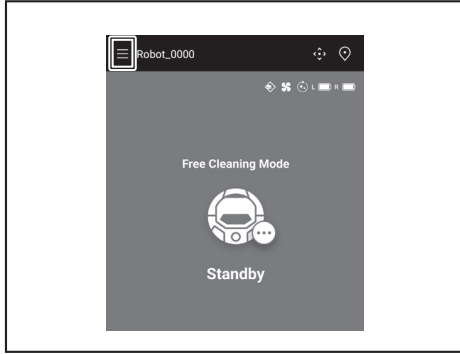


2. Aparecerá un diálogo para confirmar la eliminación. Toque [Eliminar] para finalizar la eliminación.

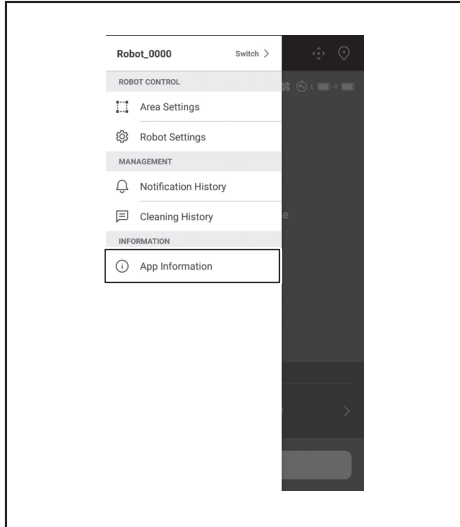


Revisión de la información de la aplicación

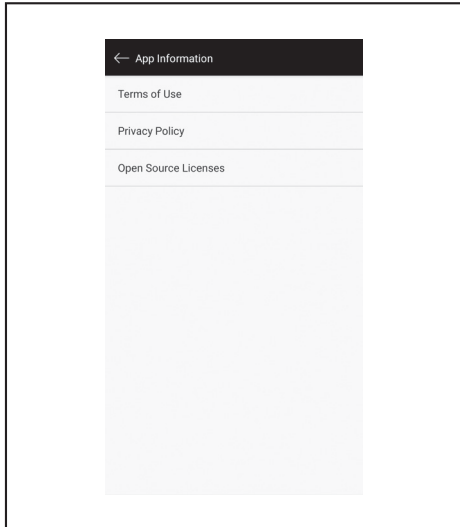
1. En la pantalla de inicio, toque .



2. Toque [Información de la aplicación].

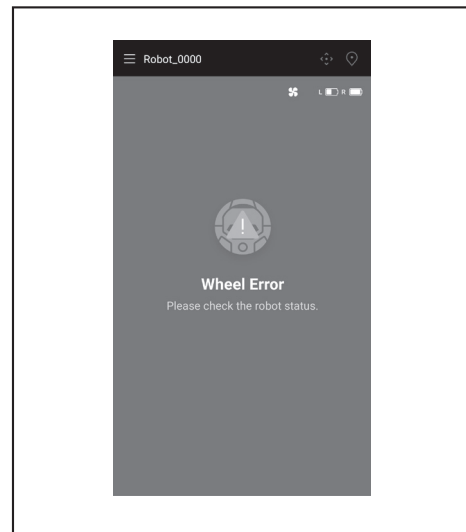
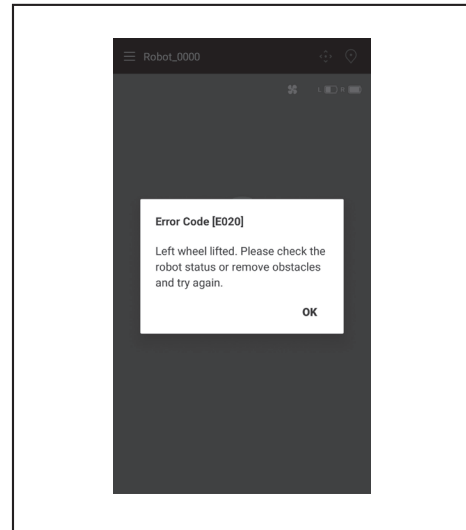


3. Toque la información que desee revisar.



Mensaje de error/diálogo

Cuando surja un error, aparecerá un mensaje de error o diálogo. Siga las indicaciones del mensaje o el diálogo en ese caso.



Anexo

Aviso sobre el software de código abierto

Este producto incluye software de código abierto (en lo sucesivo, "Software de código abierto") distribuido bajo la Licencia Pública General de GNU (GPL), la Licencia Pública General Reducida de GNU (LGPL) y otras licencias.

La información relativa a las licencias del Software de código abierto (notificación de los titulares de los derechos de autor y las licencias) se puede consultar de forma gratuita en el siguiente sitio web. Asimismo, el código fuente del Software de código abierto que publicamos bajo estas licencias también se puede consultar de forma gratuita en el siguiente sitio web.

<https://oss.makita.biz/index.html>

- Absténgase de realizar consultas sobre el código fuente del Software de código abierto.
- No ofrecemos garantías de ningún tipo con respecto al Software de código abierto. Sin embargo, este aviso no limita la cobertura de nuestra garantía en caso de que el producto tenga defectos (incluidos los defectos causados por el Software de código abierto).

Para los Estados Unidos

Este dispositivo cumple con la parte 15 de las Reglas de la Comisión Federal de Comunicaciones (FCC) y las normas RSS exentas de licencia de Industry Canada. La operación está sujeta a estas dos condiciones: (1) el dispositivo no puede provocar interferencias dañinas; (2) el dispositivo debe aceptar cualquier interferencia que reciba, incluso una que pueda provocar una operación no deseada.

Precaución de la FCC

Los cambios o las modificaciones que no cuenten con la aprobación expresa de la parte responsable del cumplimiento anularán la autoridad del usuario de operar el equipo.

Este equipo cumple con los límites de exposición a la radiación de la FCC/IC definidos para ambientes no controlados y cumple con las pautas de exposición a radiofrecuencia (RF) de la FCC. Este equipo debe instalarse y operarse con el radiador separado como mínimo a 20 cm de la persona.

Este transmisor no debe colocarse ni operarse junto con otro transmisor o antena.

Módulo Wi-Fi	Nombre del módulo	LCW-006
	Salida de potencia/rango de frecuencia	2412,0 - 2462,0 MHz/17,48 dBm (EIRP) 2422,0 - 2452,0 MHz/13,75 dBm (EIRP)
Módulo Bluetooth	Nombre del módulo	T007-MA-MD
	Salida de potencia/rango de frecuencia	2402,0 - 2480,0 MHz/2,239 mW (2,5 dBm)
Mando a distancia	Nombre del módulo	C011
	Salida de potencia/rango de frecuencia	2402,0 - 2480,0 MHz/2,884 mW (3 dBm)

Solo mando a distancia

NOTA: Este equipo se ha probado y cumple con los límites para dispositivos digitales de Clase B, de conformidad con la parte 15 de las Reglas de la FCC. Estos límites están diseñados para brindar una protección razonable contra la interferencia perjudicial en una instalación residencial. Este equipo genera, utiliza y puede emitir energía de radiofrecuencia; si no se instala y utiliza de conformidad con las instrucciones, puede producir una interferencia perjudicial en las comunicaciones por radio. No obstante, no hay garantías de que la interferencia se produzca en una instalación en particular. Si el equipo produce una interferencia perjudicial en la recepción de radio o televisión, que podrá determinar al apagar y prender el equipo, se recomienda al usuario implementar alguna de las siguientes medidas para intentar corregir la interferencia:

- Volver a orientar o ubicar la antena de recepción.
- Aumentar la separación entre el equipo y el receptor.
- Conectar el equipo a un tomacorriente en un circuito distinto de donde esté conectado el receptor.
- Pedir ayuda al distribuidor o un técnico de radio/televisión con experiencia.

Makita U.S.A. Inc.
14930 Northam Street, La Mirada, CA 90638-5753, EE. UU.
+1-(714) 522-8088

Para Canadá

Este dispositivo contiene transmisores/receptores exentos de licencia que cumplen con las normas RSS exentas de licencia del Departamento de Innovación, Ciencia y Desarrollo Económico de Canadá. La operación está sujeta a estas dos condiciones:

1. Es posible que el dispositivo no genere interferencias.
2. Este dispositivo debe aceptar cualquier interferencia, incluso una que provoque el funcionamiento no deseado del dispositivo.

Este equipo cumple con los límites de exposición a la radiación del Ministerio de Innovación, Ciencia y Desarrollo Económico (ISED) definidos para ambientes no controlados y cumple con la norma RSS-102 de las reglas de exposición a radiofrecuencia (RF) del ISED. Este equipo debe instalarse y operarse con el radiador separado como mínimo a 20 cm de la persona.

L'émetteur/récepteur exempt de licence contenu dans le présent appareil est conforme aux CNR d'Innovation, Sciences et Développement économique Canada applicables aux appareils radio exempts de licence. L'exploitation est autorisée aux deux conditions suivantes:

1. L'appareil ne doit pas produire de brouillage;
2. L'appareil doit accepter tout brouillage radioélectrique subi, même si le brouillage est susceptible d'en compromettre le fonctionnement.

Cet équipement est conforme aux limites d'exposition aux rayonnements énoncées pour un environnement non contrôlé et respecte les règles d'exposition aux fréquences radioélectriques (RF) CNR-102 de l'ISDE. Cet équipement doit être installé et utilisé en gardant une distance de 20 cm ou plus entre le radiateur et le corps humain.

Módulo Wi-Fi	Nombre del módulo	LCW-006
	Salida de potencia/rango de frecuencia	2412,0 - 2462,0 MHz/17,48 dBm (EIRP) 2422,0 - 2452,0 MHz/13,75 dBm (EIRP)
Módulo Bluetooth	Nombre del módulo	T007-MA-MD
	Rango de frecuencia/potencia	2402,0 - 2480,0 MHz/2,239 mW (2,5 dBm)
Mando a distancia	Nombre del módulo	C011
	Rango de frecuencia/potencia	2402,0 - 2480,0 MHz/2,884 mW (3 dBm)







Makita Corporation
3-11-8, Sumiyoshi-cho,
Anjo, Aichi 446-8502 Japan
www.makita.com

885890D935
DRC300-1
EN, FRCA, ESMX
20240314